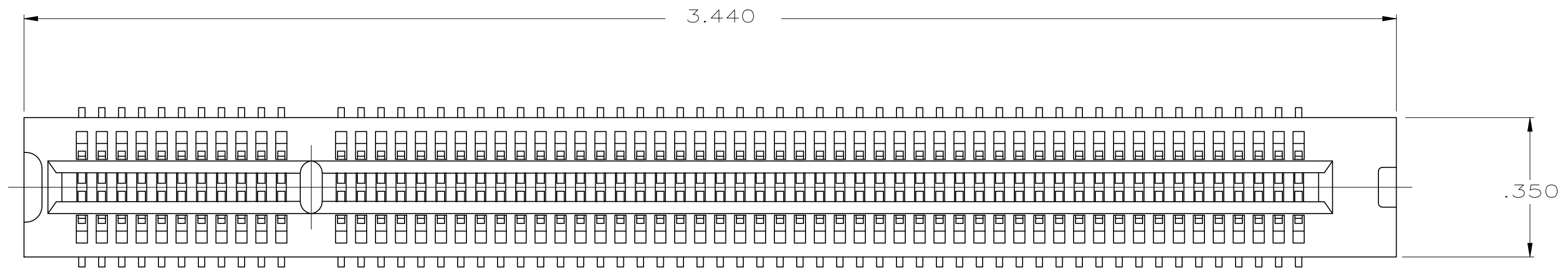
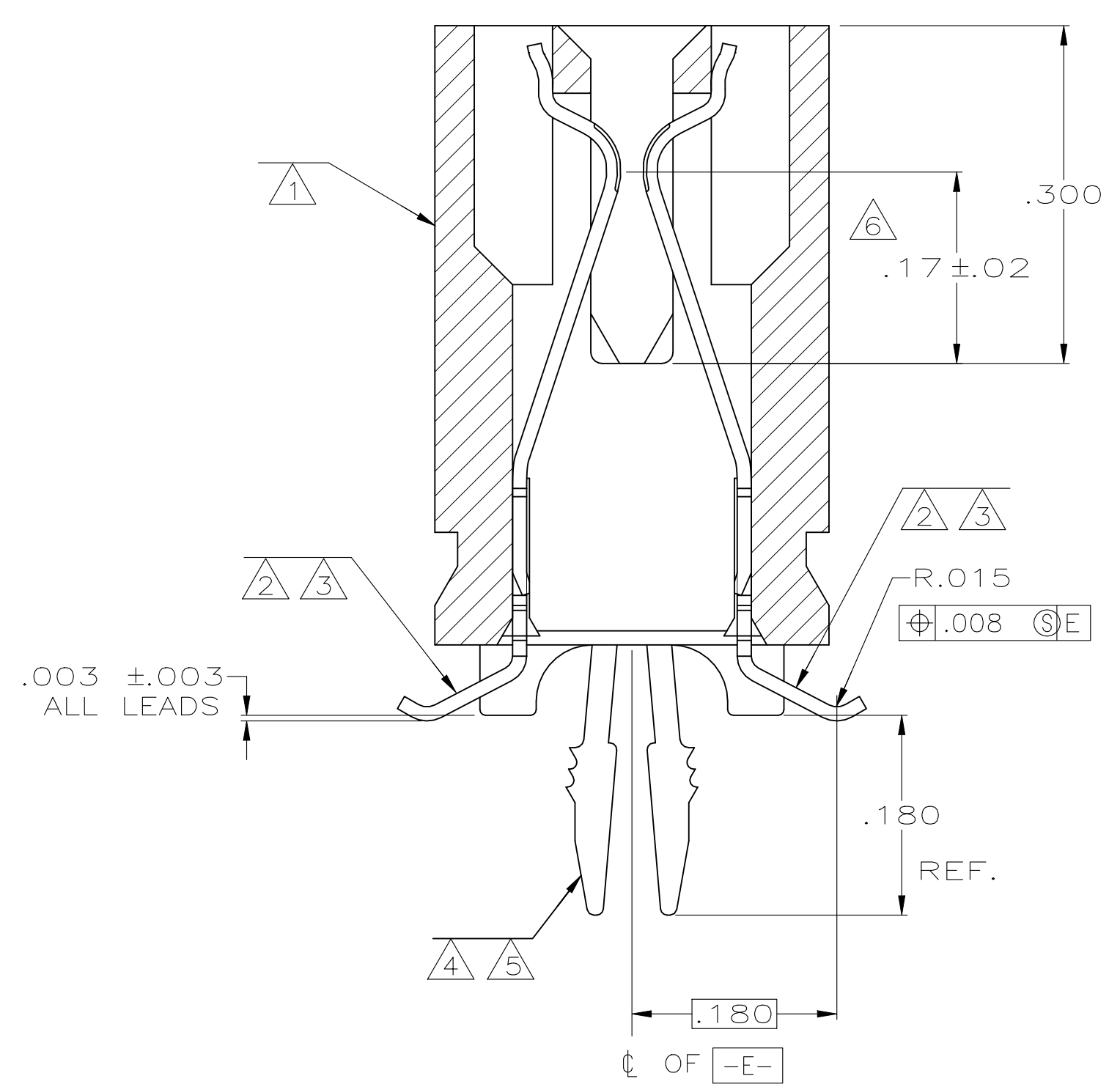
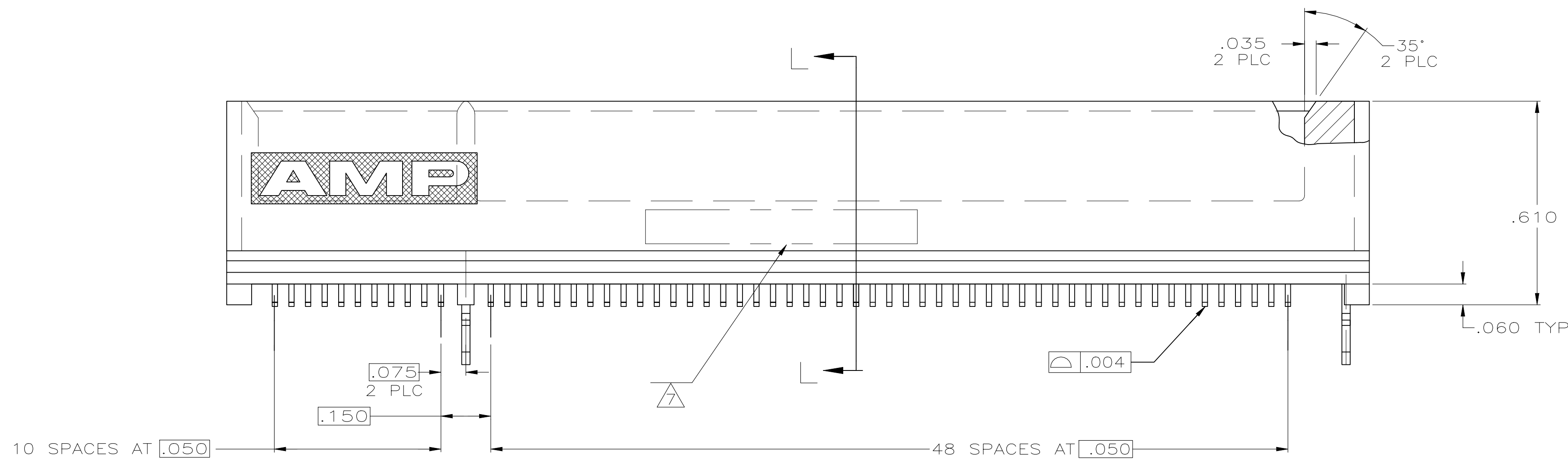


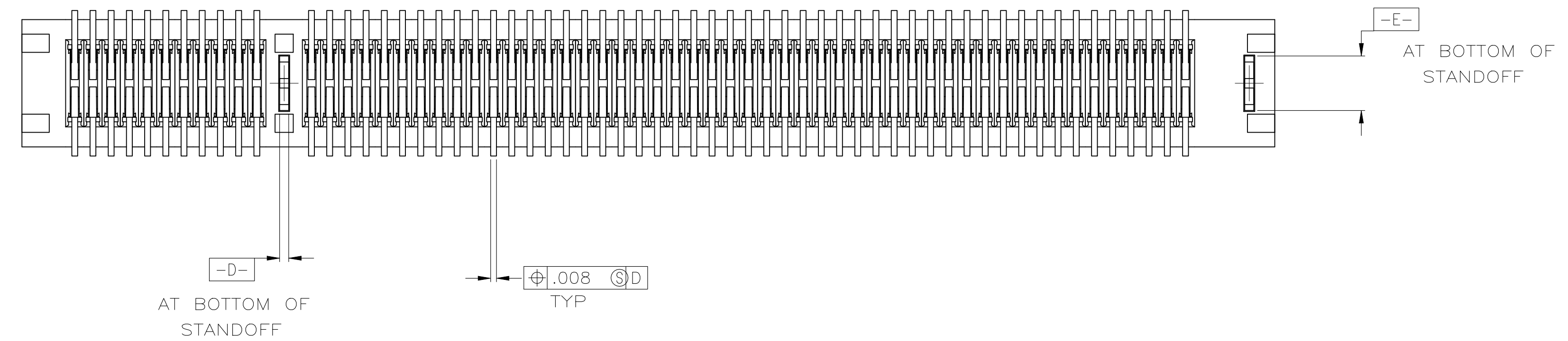
REVISIONS					
P	LTR	DESCRIPTION	DATE	DN	APVD
S		ECC-21-008022	30AUG2021	TL	HL



- ① HOUSING: HIGH TEMPERATURE THERMOPLASTIC.
- ② CONTACT: PHOSPHOR BRONZE.
- ③ CONTACT FINISH: .000100 MIN NICKEL ALL OVER, .000030 MIN GOLD OVER NICKEL IN CONTACT AREA, .000100 MIN MATTE TIN OVER NICKEL ON SOLDER TAILS.
- ④ METAL HOLD DOWN: BRASS
- ⑤ METAL HOLD DOWN FINISH: .000050 MIN NICKEL ALL OVER, .000150 MIN MATTE TIN ALL OVER.
- ⑥ DISTANCE FROM CONTACT POINT TO BOTTOM OF CARD SLOT.
- ⑦ AMP PART NUMBER, DATE CODE AND CSA LOGO MARKED IN APPROXIMATE AREA SHOWN.



SECTION L-L
SCALE 8:1

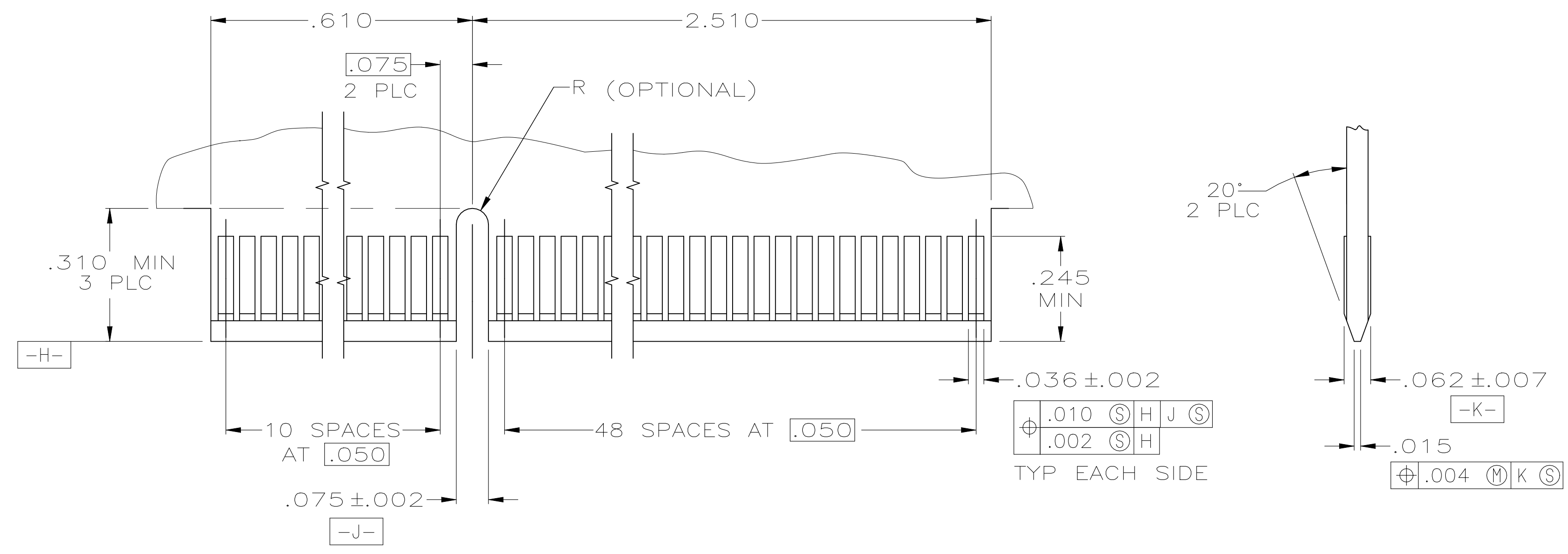


PACKAGE 2	5145098-2
PACKAGE 1	5145098-1
PACKAGE	PART NO.

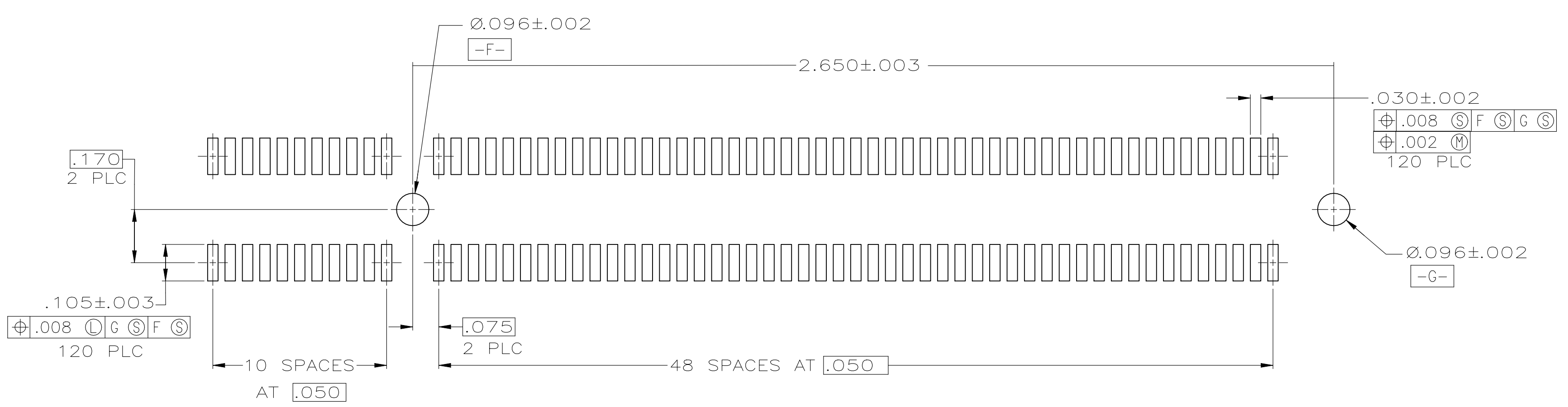
THIS DRAWING IS A CONTROLLED DOCUMENT.

DIMENSIONS: INCHES	TOLERANCES UNLESS OTHERWISE SPECIFIED:	0. PLC ± .005	1. PLC ± .005	2. PLC ± .005	3. PLC ± .005	4. PLC ± .005	ANGLES ± .2°	FINISH
TE Connectivity Ltd.	CONNECTOR ASSEMBLY, 60 DUAL POSITION, .050 SERIES, STANDARD EDGE, SURFACE MOUNT	SIZE A1	CAGE CODE 00779	DRAWING NO. 5145098	SCALE 4:1	SHEET 1 OF 3	REV S	

REVISIONS					
P	LTR	DESCRIPTION	DATE	DN	APVD
-	SEE SHEET 1				



RECOMMENDED MATING BOARD EDGE CONFIGURATION

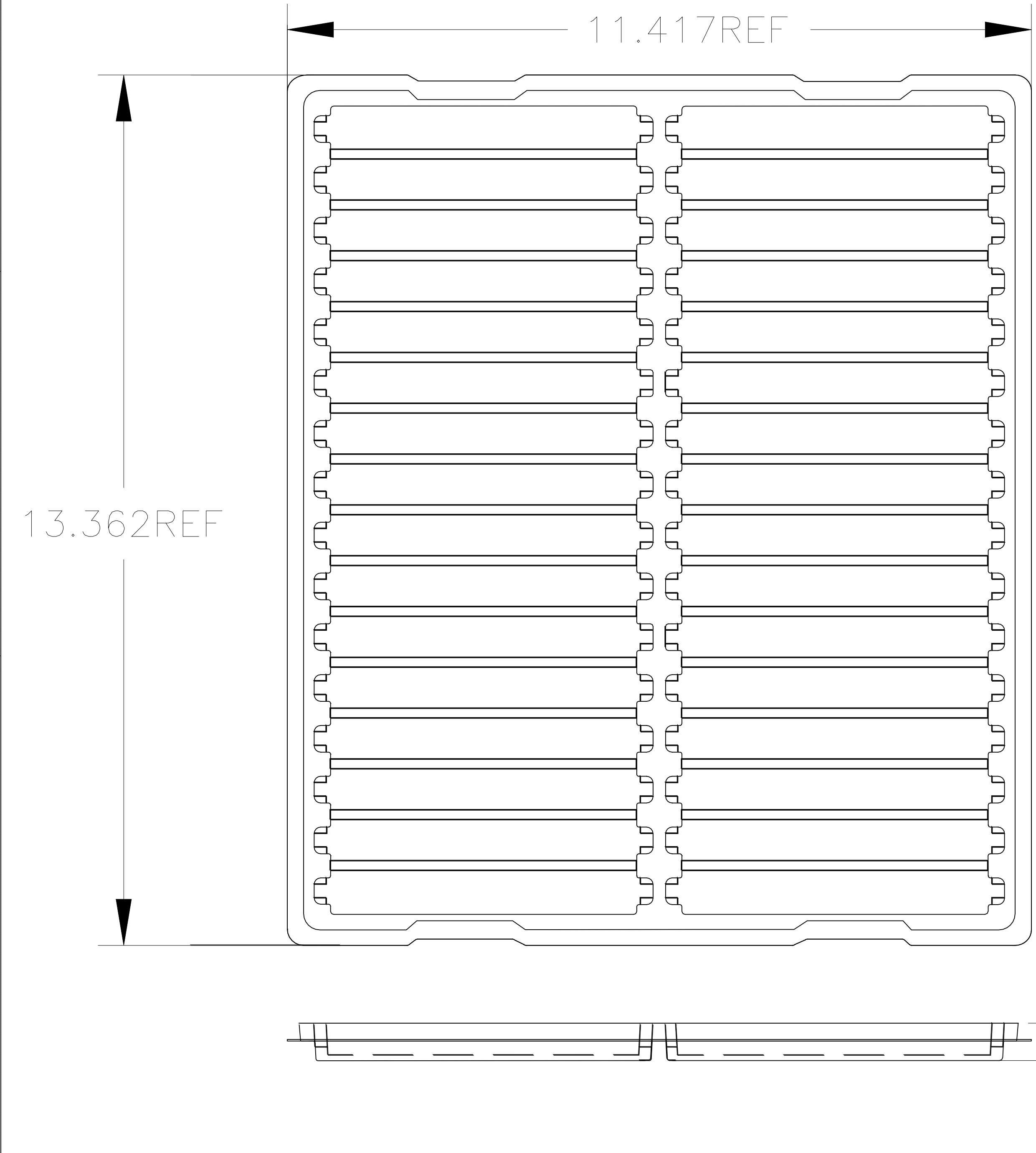


RECOMMENDED PC BOARD PATTERN
(CONNECTOR SIDE SHOWN)

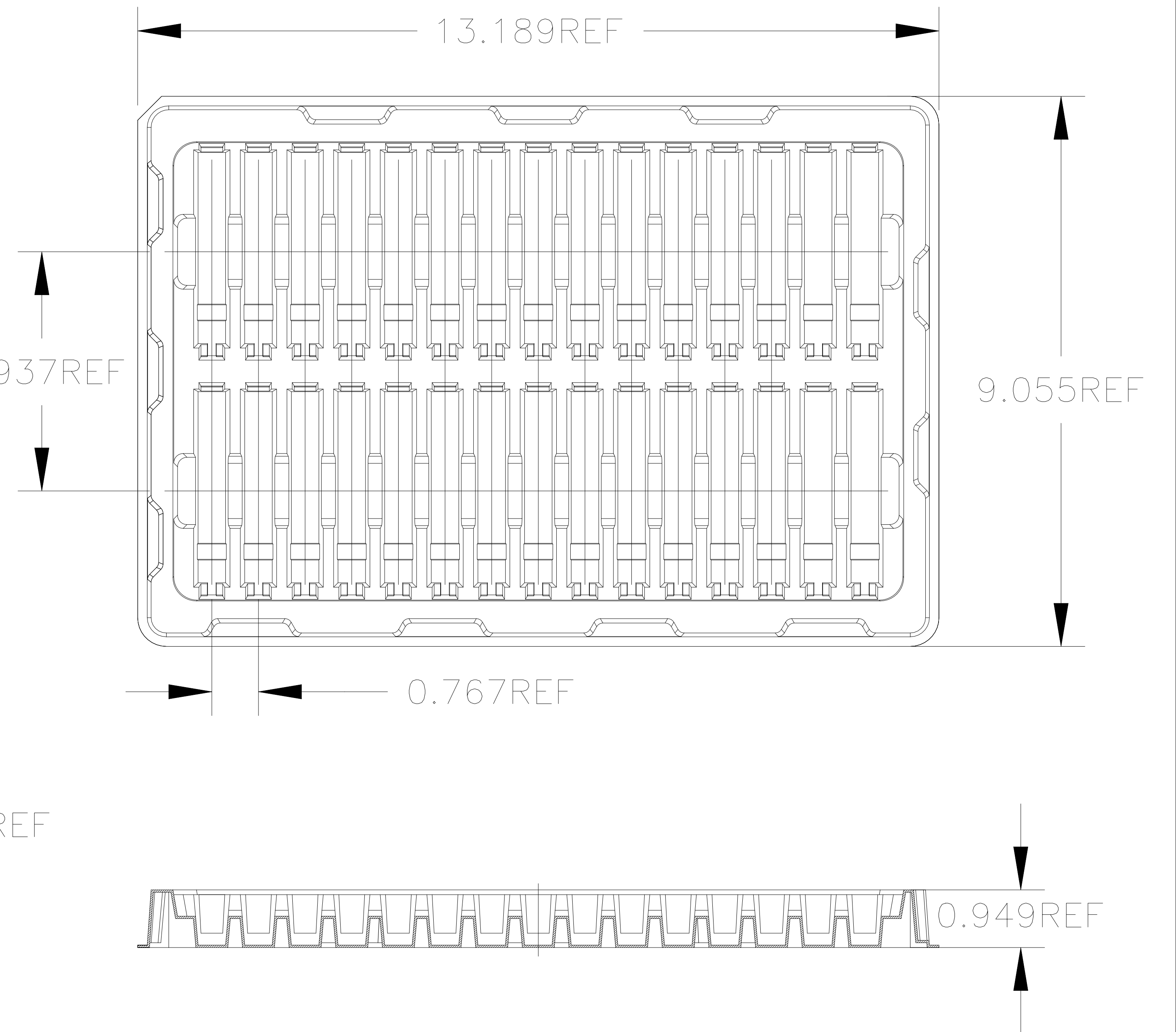
38-2
38-1
NO.

THIS DRAWING IS A CONTROLLED DOCUMENT.		DIMENSIONS: INCHES 	TOLERANCES UNLESS OTHERWISE SPECIFIED: 0. PLC ± - 1. PLC ± - 2. PLC ± - 3. PLC ± .005 4. PLC ± - ANGLES ± °	DWG: AL FRANTUM 09 JUN 05 CHK: AL FRANTUM 09 JUN 05 APVD:	NAME: PRODUCT SPEC: 108-14034 APPLICATION SPEC: 114-13148 WEIGHT: - CUSTOMER DRAWING	SIZE: A1 CAGE CODE: 00779 DRAWING NO: 5145098	RESTRICTED TO: - SCALE: 4:1 SHEET 2 OF 3 REV: S
--	--	---------------------------	---	---	--	---	--

REVISIONS				
P	LTR	DESCRIPTION	DATE	APVD
-		SEE SHEET 1	-	-



PACKAGE 1



PACKAGE 2

THIS DRAWING IS A CONTROLLED DOCUMENT.		DWG: AL FRANTUM 09 JUN 05 CHK: AL FRANTUM 09 JUN 05 APVD:	TE Connectivity Ltd.	
DIMENSIONS: INCHES:	TOLERANCES UNLESS OTHERWISE SPECIFIED: 0. PLC ± - 1. PLC ± - 2. PLC ± - 3. PLC ± .005 4. PLC ± - ANGLES ± °	PRODUCT SPEC: 108-14034 APPLICATION SPEC: 114-13148	NAME: CONNECTOR ASSEMBLY, 60 DUAL POSITION, .050 SERIES, STANDARD EDGE, SURFACE MOUNT	
MATERIAL: SEE SHEET 1	FINISH: SEE SHEET 1	WEIGHT: -	SIZE: A1 CAGE CODE: 00779 DRAWING NO: 5145098	RESTRICTED TO: - SCALE: 4:1 SHEET: 3 of 3 REV: S
		CUSTOMER DRAWING		