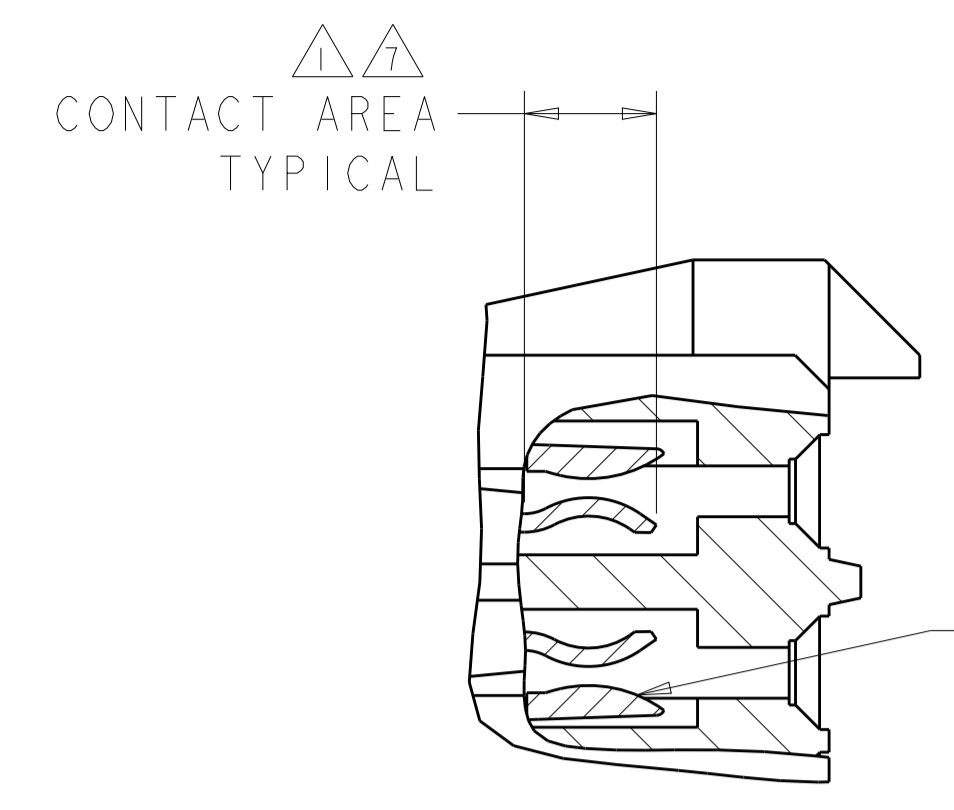


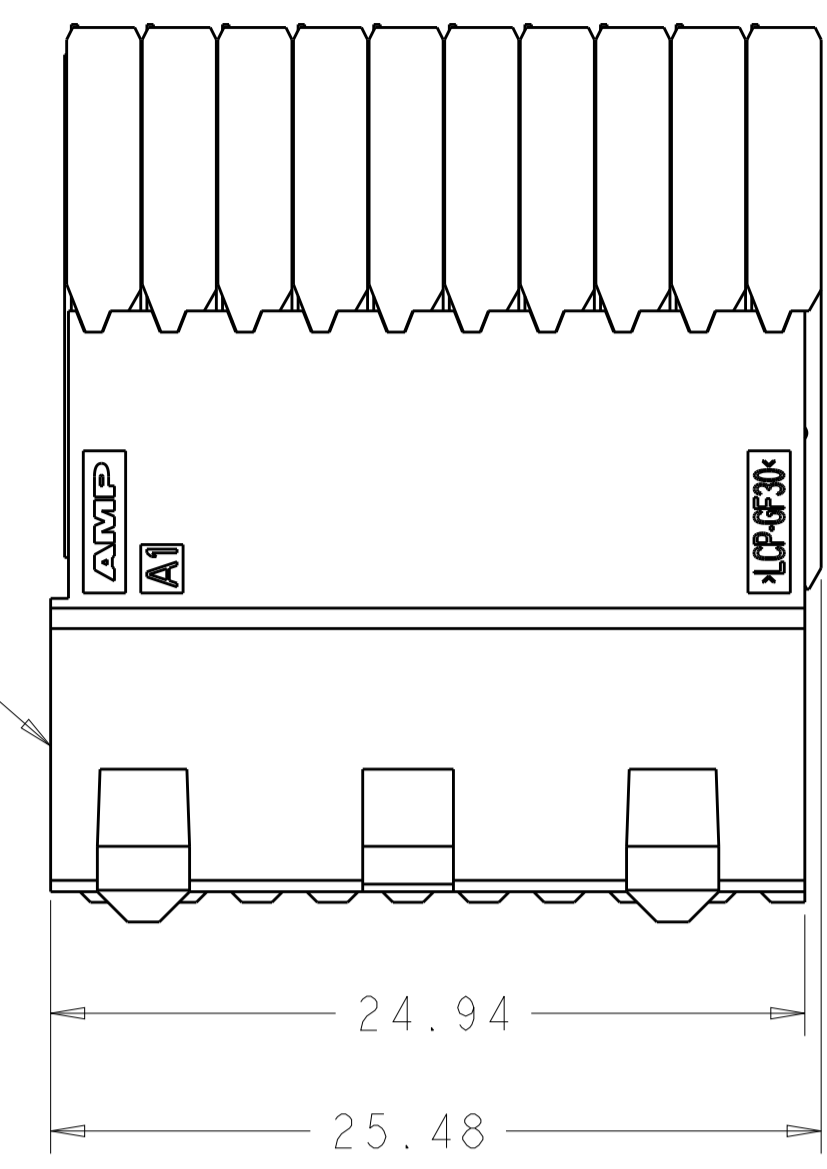
LOC	DIST	REV	DESCRIPTION	DATE	OWN	APVD
AD	00	B	REVISED PER ECO-18-020072	25DEC2018	R. L.	H. L.



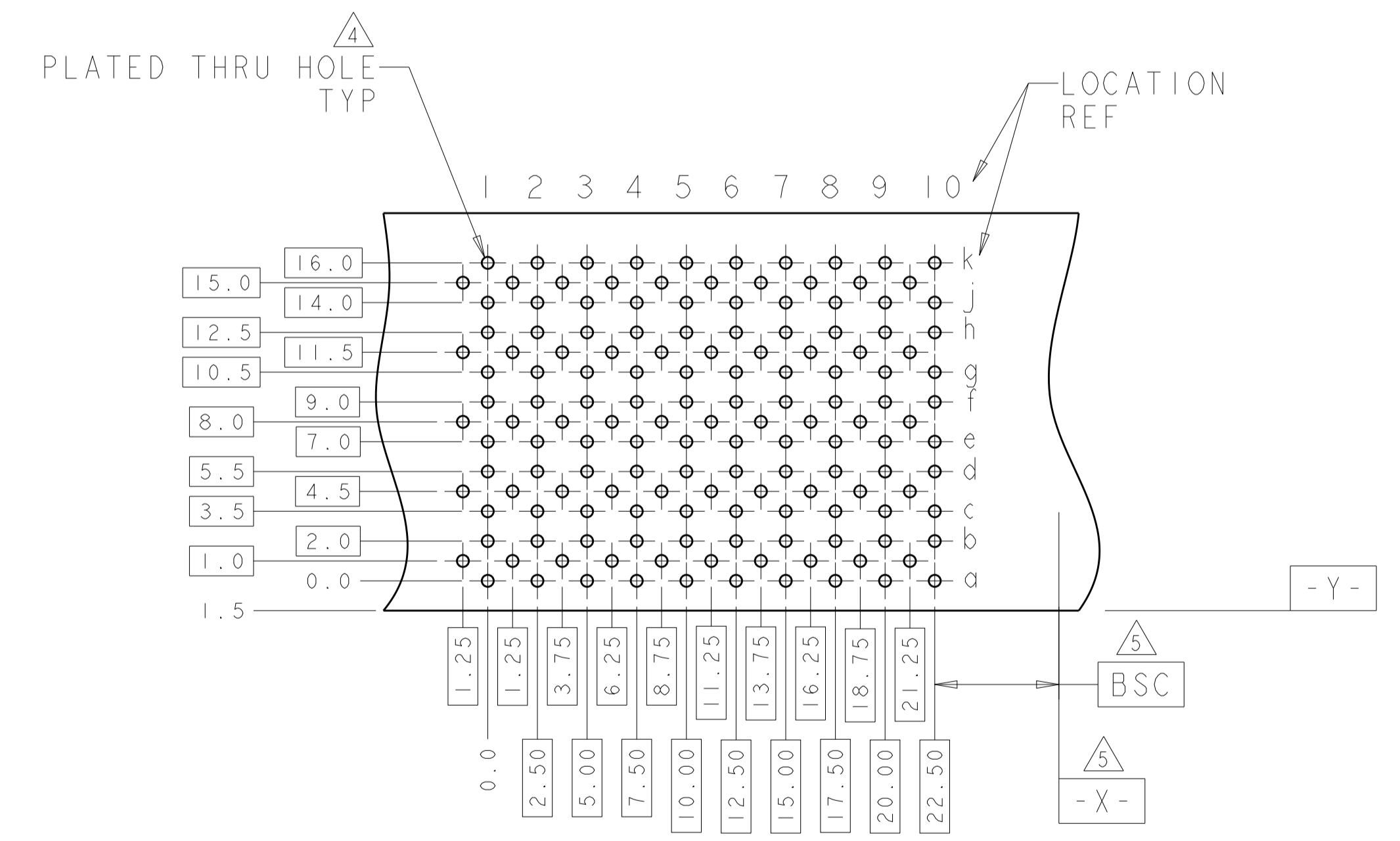
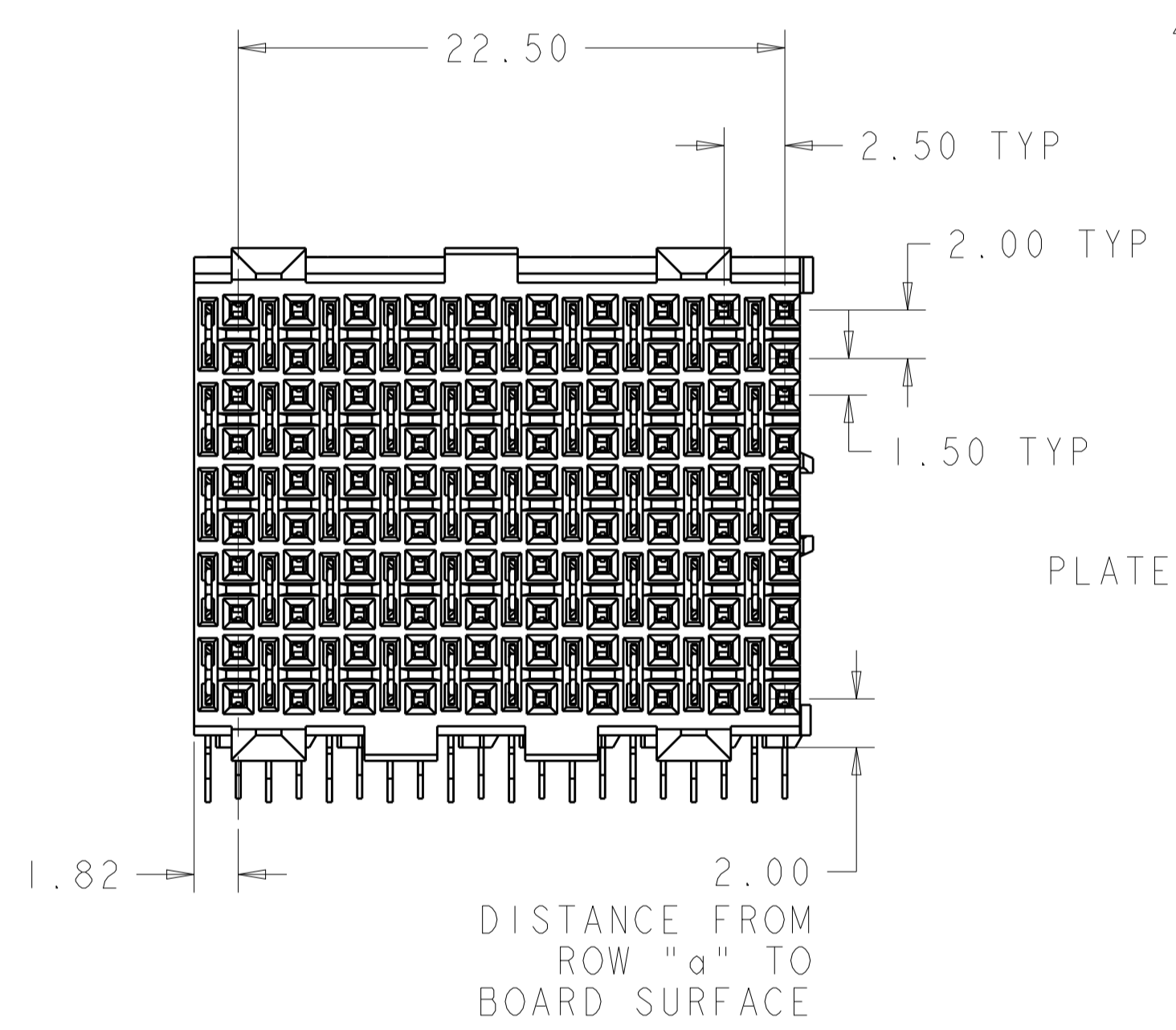
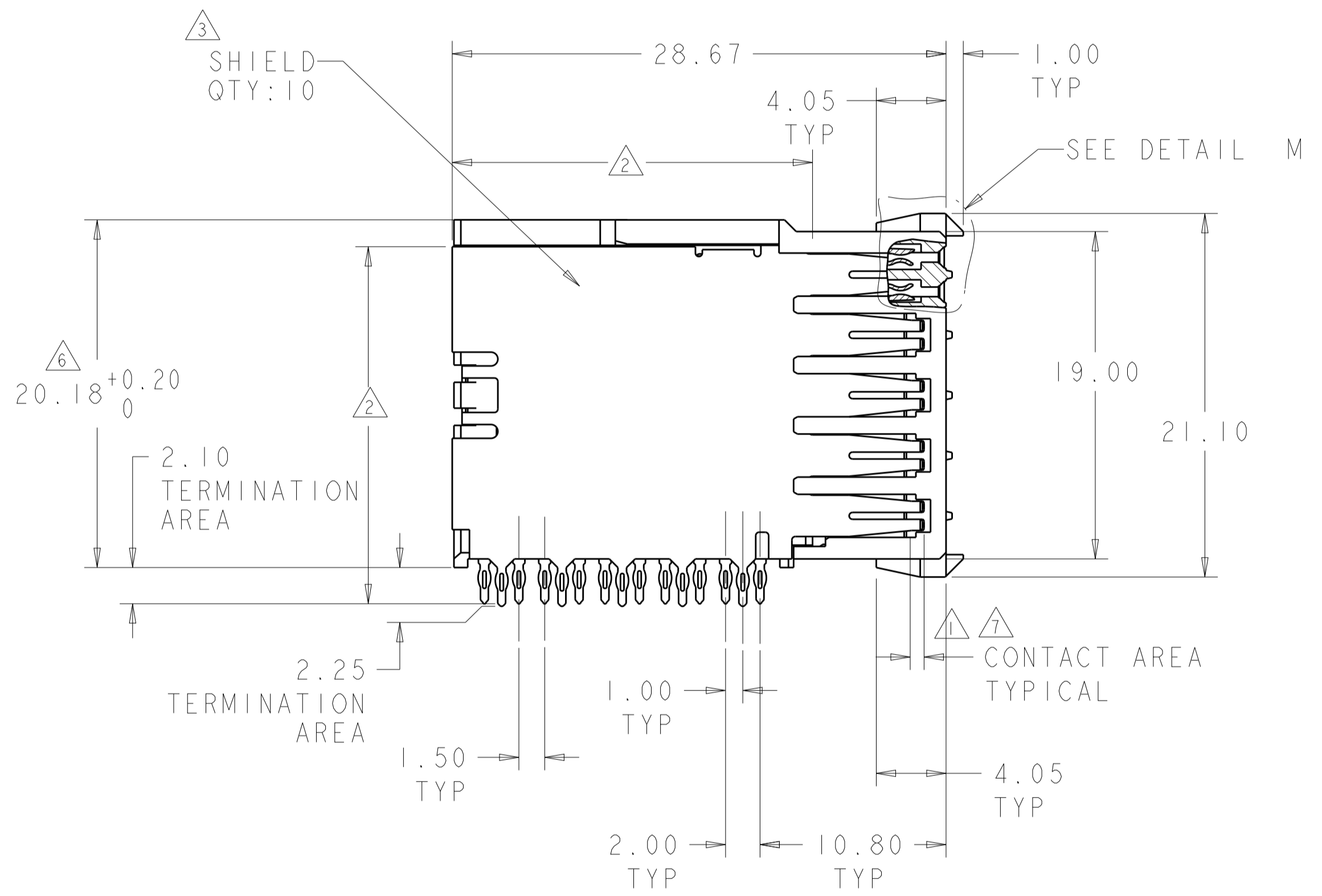
DETAIL M
SCALE 12:1

CONTACT QTY: 100

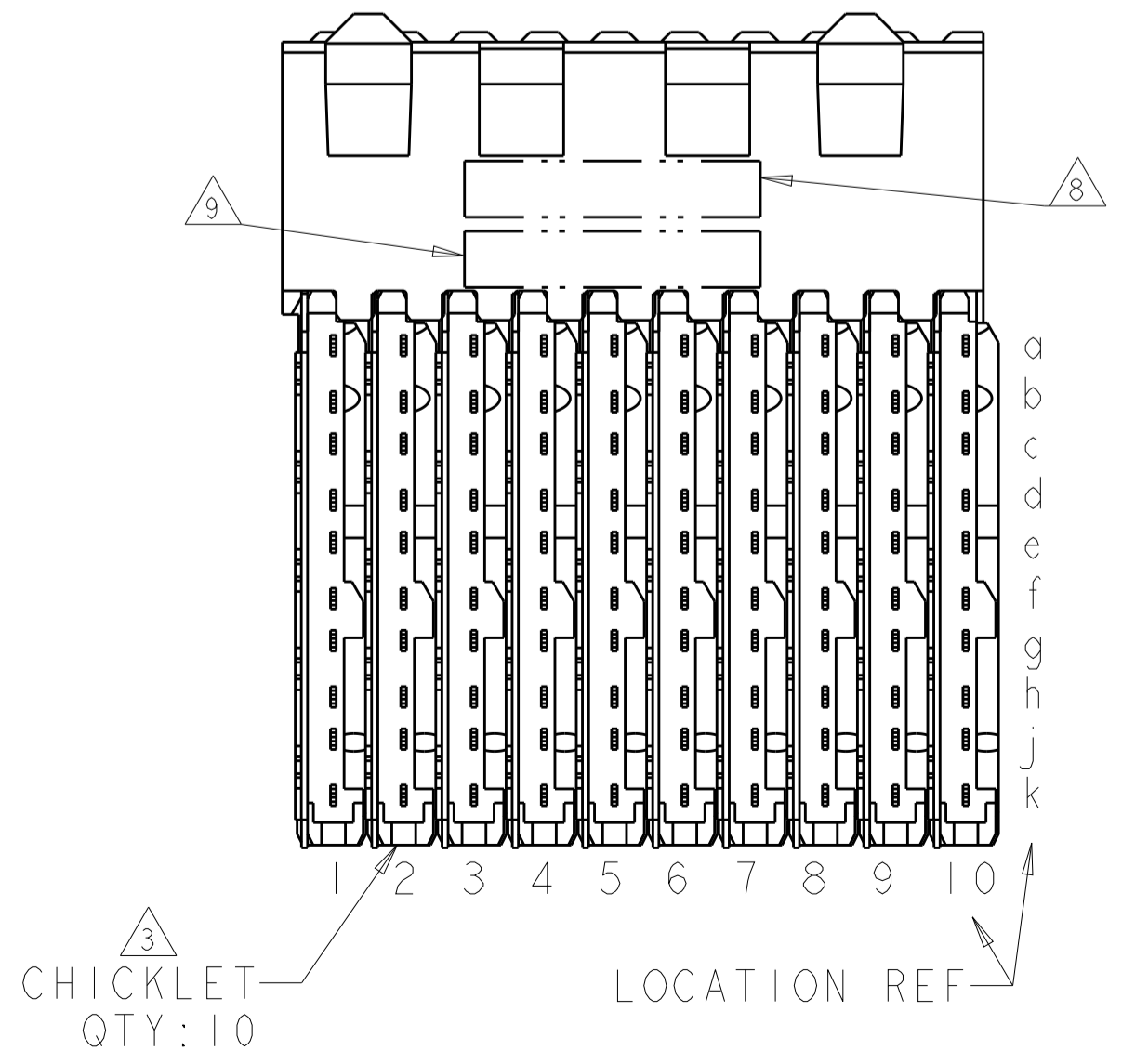
HOUSING QTY: 1



- 1 CONTACT MATING AREA MEETS THE PERFORMANCE REQUIREMENTS OF TE CONNECTIVITY PRODUCT SPECIFICATION 108-1957; BASED ON TELCORDIA GR-1217-CORE, APPLICATIONS IN UNCONTROLLED ENVIRONMENTS.
- 2 0.76µm MIN TIN OVER 1.27µm MIN NICKEL
- 3 MATERIAL: CONTACT - COPPER ALLOY
SHIELD - PHOSPHOR BRONZE
HOUSING - LCP, UL94V-0
CHICKLET - GLASS FILLED POLYESTER
- 4 REFERENCE APPLICATION SPEC 114-13020 FOR RECOMMENDED PLATED THRU HOLE DIAMETER AND PLATING THICKNESS.
- 5 DATUM AND BASIC DIMENSION ESTABLISHED BY CUSTOMER.
- 6 SEATING HEIGHT TO BOARD SURFACE.
- 7 CONTACT AREA LUBRICATED WITH BELLCORE APPROVED LUBRICANT. TECHNICAL REFERENCE: GR-1217-CORE, ISSUE 1, NOVEMBER 1995.
- 8 DATE CODE
- 9 PART NUMBER



RECOMMENDED PRINTED
CIRCUIT BOARD LAYOUT
COMPONENT SIDE OF PRINTED CIRCUIT BOARD



5120790-1
PART NUMBER

THIS DRAWING IS A CONTROLLED DOCUMENT.		OWN: B. CARBO 08DEC04	TE Connectivity NAME: RECEPTACLE ASSEMBLY, 100 POSITION 10 ROW, DUAL BEAM, Z-PACK HS3
DIMENSIONS: mm		CHK: R. PATTERSON 08DEC04	
TOLERANCES UNLESS OTHERWISE SPECIFIED:		APVD: R. PATTERSON 08DEC04	SIZE: A1
0 PLC ±		PRODUCT SPEC: 108-1957	CAGE CODE: 5120790
1 PLC ±0.2		APPLICATION SPEC: 114-13020	SCALE: 4:1
2 PLC ±0.13		WEIGHT: -	SHEET 1 OF 1
3 PLC ±0.05		FINISH: SOLDER TAIL	REV B
4 PLC ±		CONTACT: 1	
ANGLES ±		CUSTOMER DRAWING	