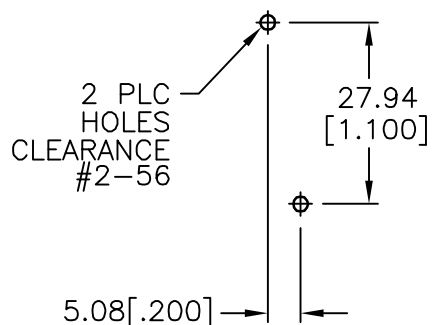


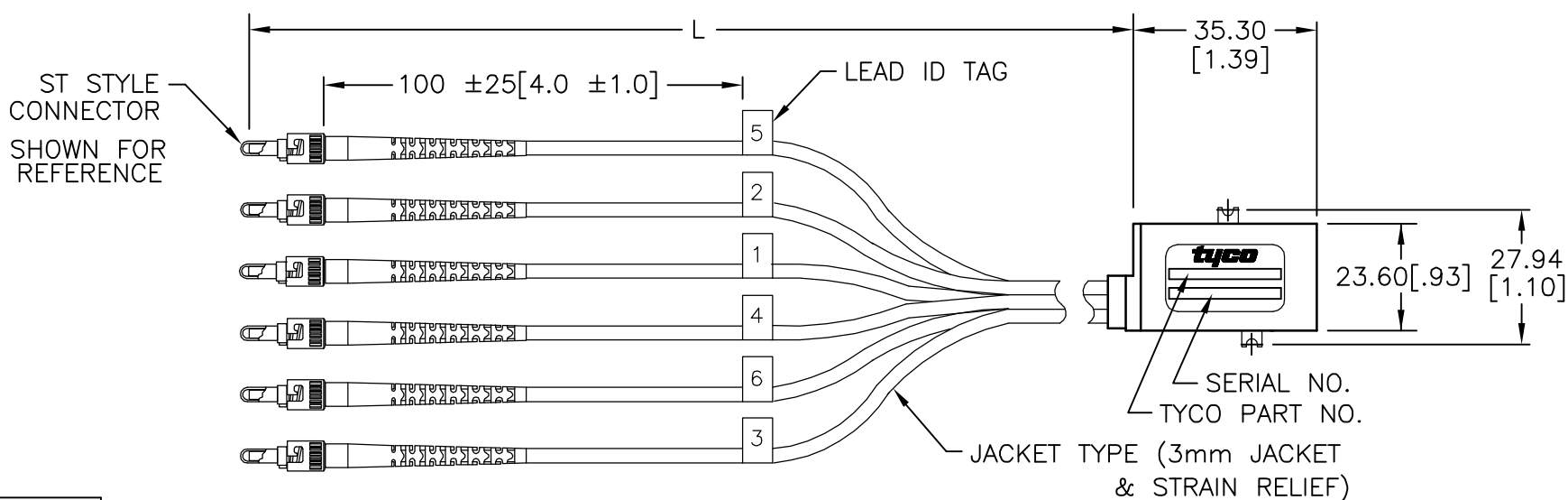
THIS DRAWING IS UNPUBLISHED. RELEASED FOR PUBLICATION

© COPYRIGHT BY TYCO ELECTRONICS CORPORATION. ALL RIGHTS RESERVED.

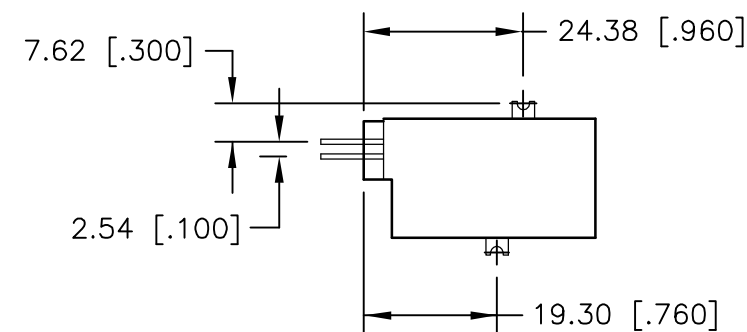
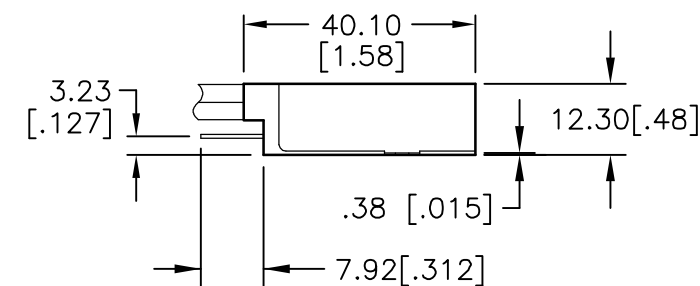
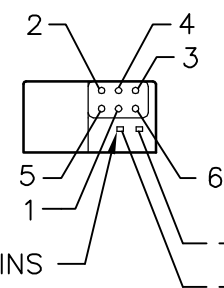
LOC EA	DIST 51	REVISIONS			
P	LTR	DESCRIPTION	DATE	DWN	APVD
	1	NEW PRODUCT RELEASE	24JAN06	SM	RP



PCB MOUNTING HOLES TOP VIEW



PART NO.	FIBER TYPE	L	CONNECTOR TYPE
5099982-1	50/125/250	1000mm ±100mm	ST
5099982-2	62.5/125/250	1000mm ±100mm	ST
5099982-4	62.5/125/250	305mm ±25mm	LC



PERFORMANCE SPECIFICATIONS

INSERTION LOSS

INSERTION LOSS DATA INCLUDES TWO CONNECTED PAIRS TESTED PER FOTP-34 METHOD A2

POWER OFF, 1 TO 2 & 4 TO 5 : 1.8dB MAX  
 POWER ON, 1 TO 3 & 4 TO 6 : 1.8dB MAX

OPTICAL CROSSTALK : </=-45dB, PER FOTP-42

OPERATING WAVELENGTH : 750nm TO 1450nm

TESTED WAVELENGTH : 1300nm

POWER REQUIREMENTS : 4.0 TO 5.5 VOLTS, 80ma MAX AT 5 VOLTS

SWITCHING SPEED : 10 MILLISECONDS MAX.

PRELIMINARY

THIS DRAWING IS A CONTROLLED DOCUMENT.		DWN S. MONGOLD	24JAN06			Tyco Electronics Corporation	
		CHK R. PAUL	24JAN06			Harrisburg, PA 17105-3608	
		APVD F. ABENDSCHEIN	24JAN06	NAME		SWII D1X2	
		PRODUCT SPEC				GOLD (STRAIGHT PIN)	
		APPLICATION SPEC					
		WEIGHT		SIZE	CAGE CODE	DRAWING NO	RESTRICTED TO
		-		A3	00779	C=5099982	-
CUSTOMER DRAWING		SCALE		SHEET		REV	
		1:1		1 OF 1		1	