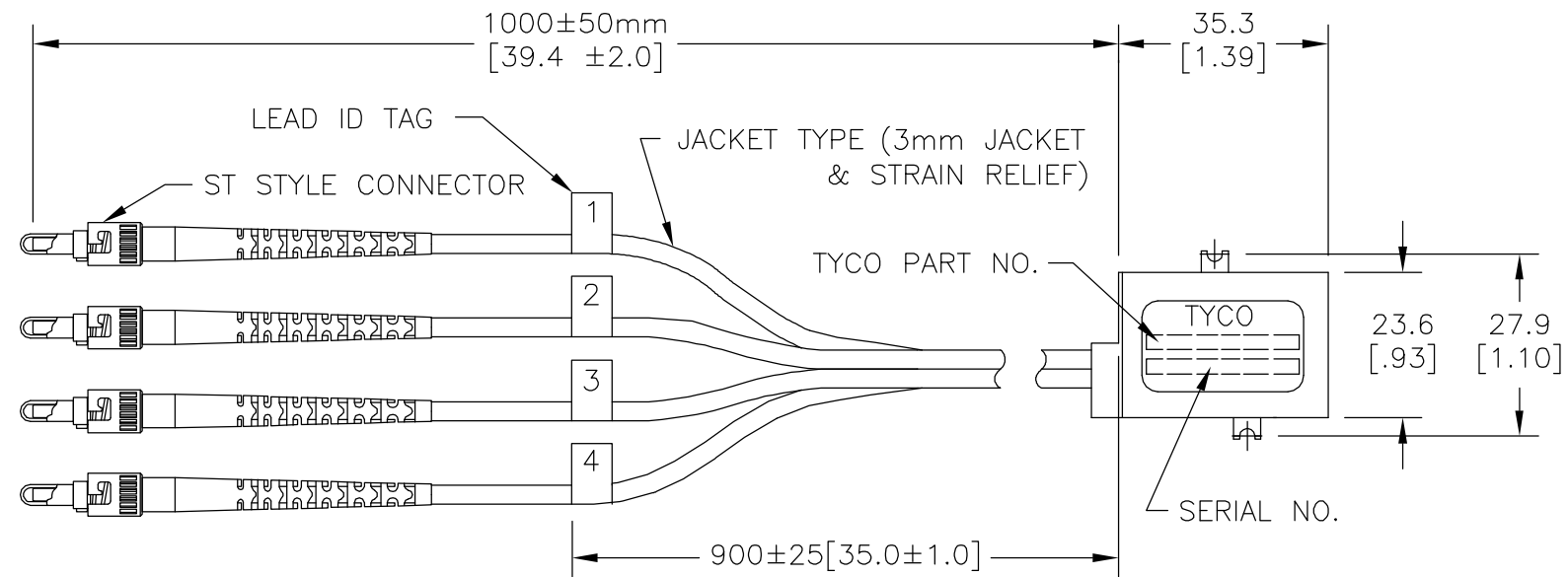
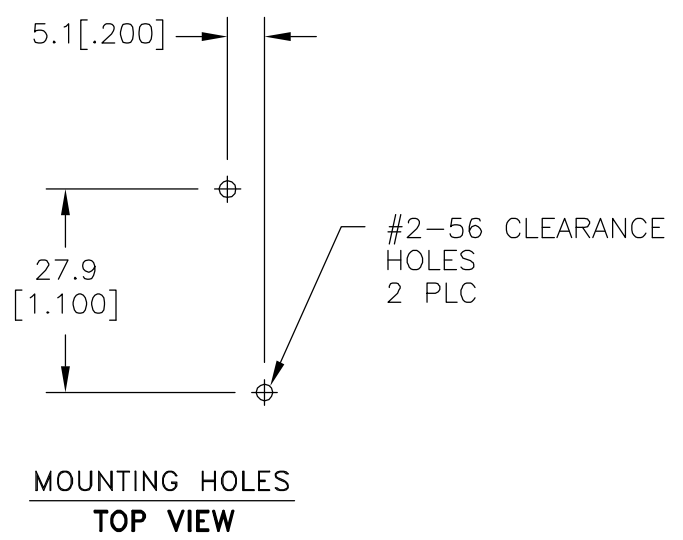


THIS DRAWING IS UNPUBLISHED. RELEASED FOR PUBLICATION  
 © COPYRIGHT BY TYCO ELECTRONICS CORPORATION. ALL RIGHTS RESERVED.

LOC	DIST	REVISIONS					
EA	51	P	LTR	DESCRIPTION	DATE	DWN	APVD
			2	UPDATE	29NOV06	SM	RP



PART NO.	FIBER TYPE
5099429-1	50/125/250
5099429-2	62.5/125/250

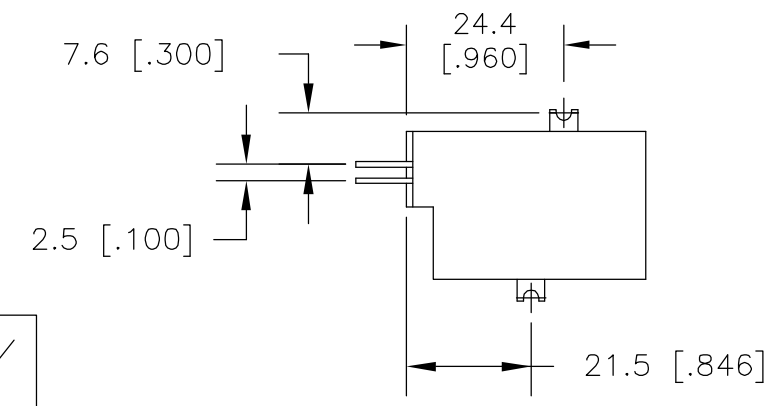
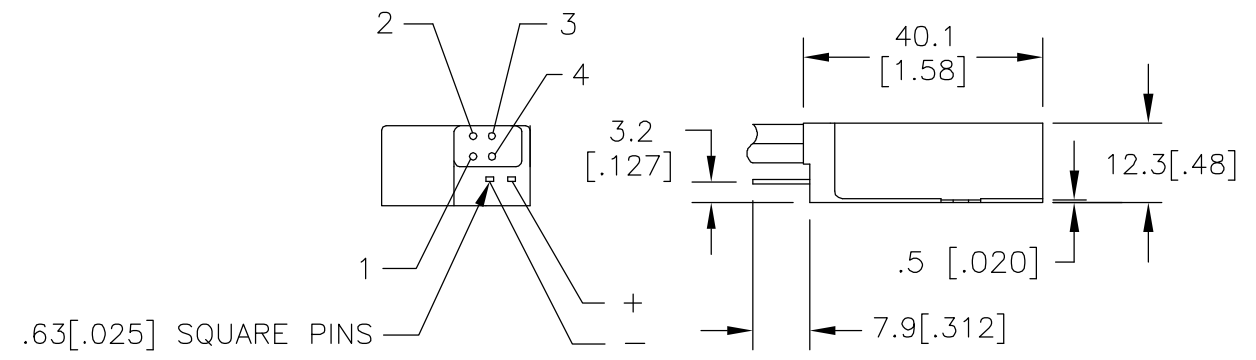
**NOTES:**

- DIMENSIONS IN [ ] ARE IN INCHES.
- PERFORMANCE SPECIFICATIONS  
 TESTED PER FOTP-34 METHOD A2  
 INSERTION LOSS DATA INCLUDES TWO CONNECTED PAIRS.  
 INSERTION LOSS:

POWER OFF,	1 TO 2	1.8dB MAX
POWER OFF,	3 TO 4	5.0dB MAX
POWER ON,	1 TO 4	1.8dB MAX
POWER ON,	3 TO 2	1.8dB MAX

OPTICAL CROSSTALK </= -45dB PER FOTP-42  
 OPERATING WAVELENGTH 750 TO 1450nm  
 TESTED WAVELENGTH 1300nm  
 POWER REQUIREMENTS 4.0 TO 5.5 VOLTS,  
 80ma MAX AT 5 VOLTS  
 SWITCHING SPEED 10 MILLISECONDS MAX

3. THIS PRODUCT HAS NOT COMPLETED VALIDATION TESTING.



PRELIMINARY

THIS DRAWING IS A CONTROLLED DOCUMENT.		DWN S. MONGOLD 08DEC05	Tyco Electronics Corporation Harrisburg, PA 17105-3608	
DIMENSIONS: mm [INCHES]		CHK R. PAUL 08DEC05	Tyco Electronics	
TOLERANCES UNLESS OTHERWISE SPECIFIED:		APVD F. ABENDSCHEIN 08DEC05	NAME SWII 2X2 GOLD (STRAIGHT)	
0 PLC ± -		PRODUCT SPEC -	SIZE A3	
1 PLC ± 0.5		APPLICATION SPEC -	CAGE CODE 00779	DRAWING NO C-5099429
2 PLC ± -		WEIGHT -	RESTRICTED TO -	
3 PLC ± -		CUSTOMER DRAWING		
4 PLC ± -		SCALE 1:1		
ANGLES ± 2'		SHEET 1 OF 1		
FINISH -		REV 2		