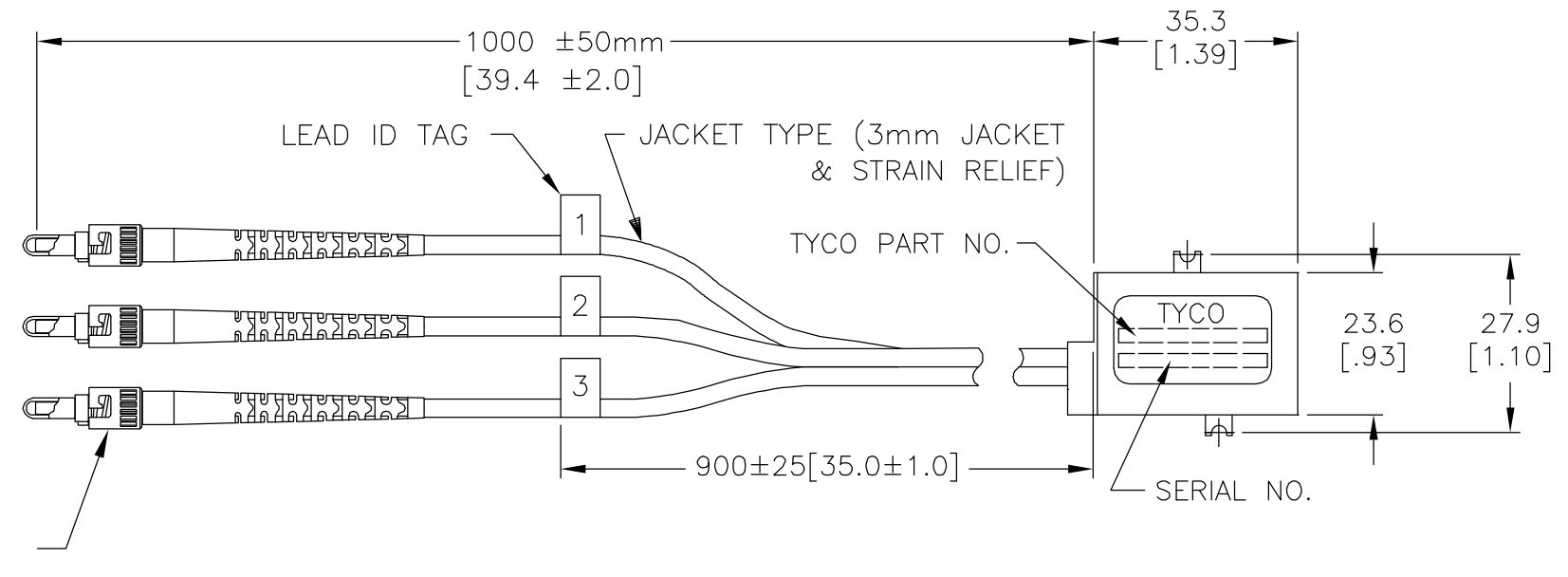
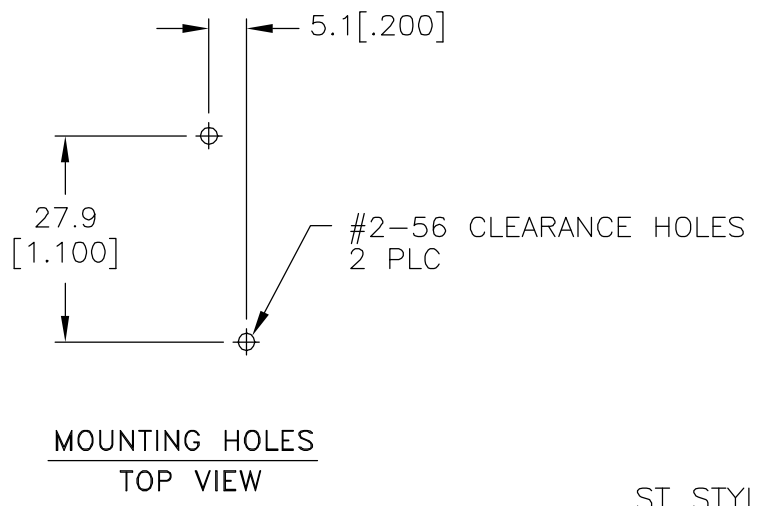
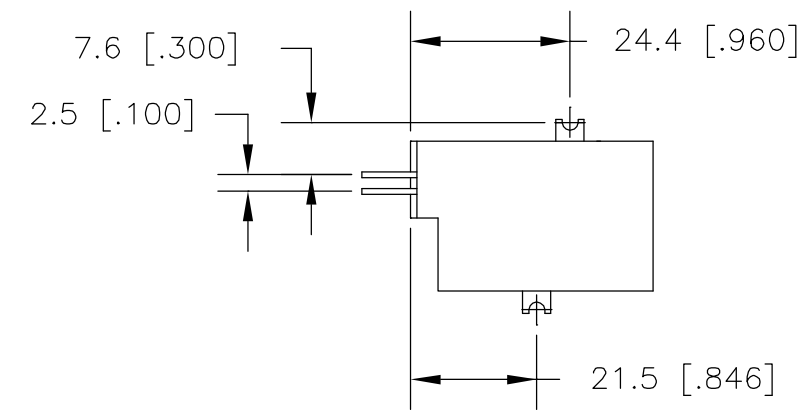
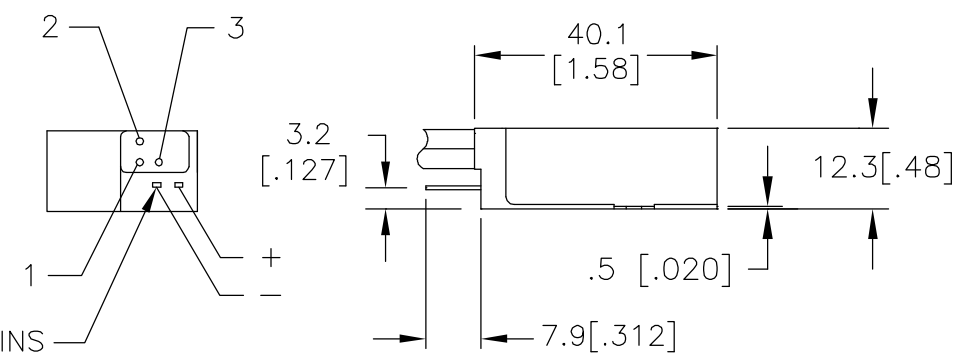


THIS DRAWING IS UNPUBLISHED. RELEASED FOR PUBLICATION
 © COPYRIGHT - BY TYCO ELECTRONICS CORPORATION. ALL RIGHTS RESERVED.

LOC	DIST	REVISIONS					
EA	51	P	LTR	DESCRIPTION	DATE	DWN	APVD
		2		UPDATE	04DEC06	SM	RP



PART NO.	FIBER TYPE
5099427-1	50/125/250
5099427-2	62.5/125/250



- NOTES:
- DIMENSIONS IN [] ARE IN INCHES.
 - PERFORMANCE SPECIFICATIONS
 TESTED PER FOTP-34 METHOD A2
 INSERTION LOSS DATA INCLUDES TWO CONNECTED PAIRS
 INSERTION LOSS POWER OFF, FIBER 2 TO 1 1.8dB MAX
 POWER ON, FIBER 2 TO 3 1.8dB MAX

 OPTICAL CROSSTALK </=-45dB MAX PER FOTP-42
 OPERATING WAVELENGTH 750 TO 1450nm
 TESTED WAVELENGTH 1300nm
 POWER REQUIREMENTS 4.0 TO 5.5 VOLTS, 80ma MAX AT 5.0 VOLTS
 SWITCHING SPEED 10 MILLISECONDS MAX
 - THIS PRODUCT HAS NOT COMPLETED VALIDATION TESTING.

PRELIMINARY

THIS DRAWING IS A CONTROLLED DOCUMENT.		DWN S. MONGOLD 05DEC05	Tyco Electronics Corporation Harrisburg, PA 17105-3608	
DIMENSIONS: mm [INCHES]		CHK R. PAUL 05DEC05		
TOLERANCES UNLESS OTHERWISE SPECIFIED:		APVD F. ABENDSCHEIN 05DEC05	NAME	
0 PLC ± - 1 PLC ± 0.5 2 PLC ± - 3 PLC ± - 4 PLC ± - ANGLES ± 2'		PRODUCT SPEC -	SWII 1X2 GOLD (STRAIGHT PIN)	
MATERIAL -		FINISH -	APPLICATION SPEC -	RESTRICTED TO -
		WEIGHT -	SIZE A3	CAGE CODE 00779
		DRAWING NO C-5099427		RESTRICTED TO -
		CUSTOMER DRAWING		SCALE 1:1
				SHEET 1 OF 1
				REV 2