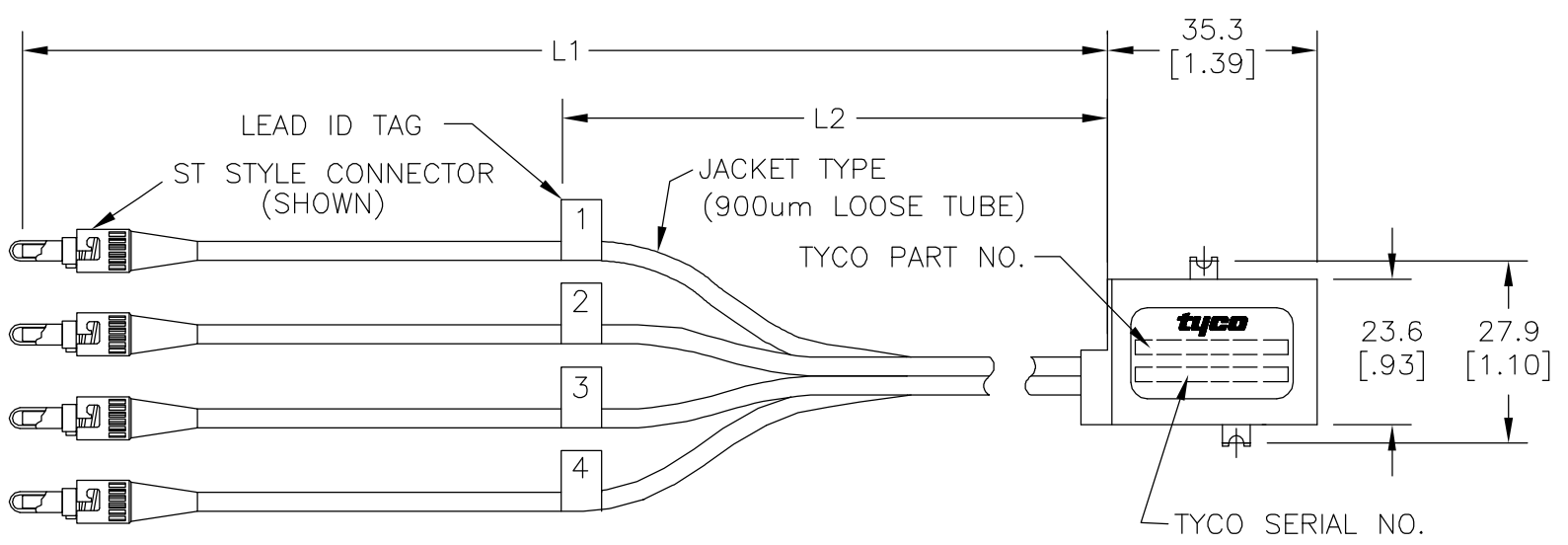
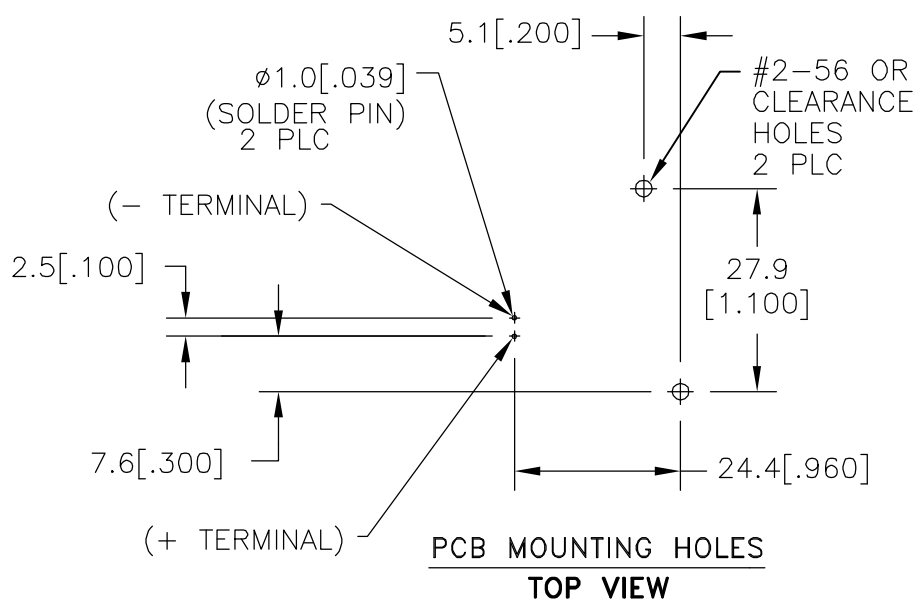
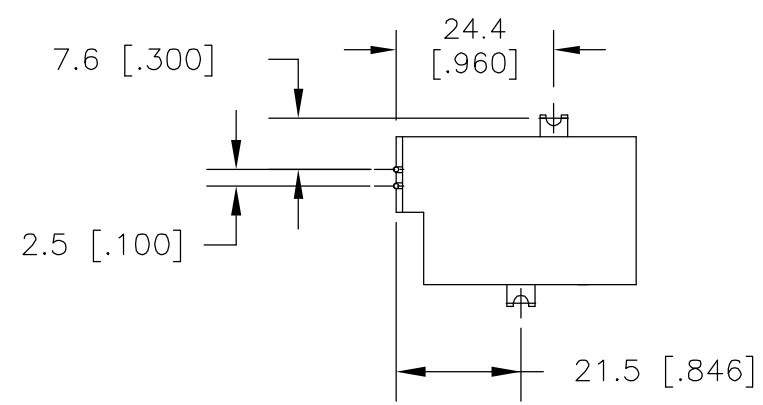
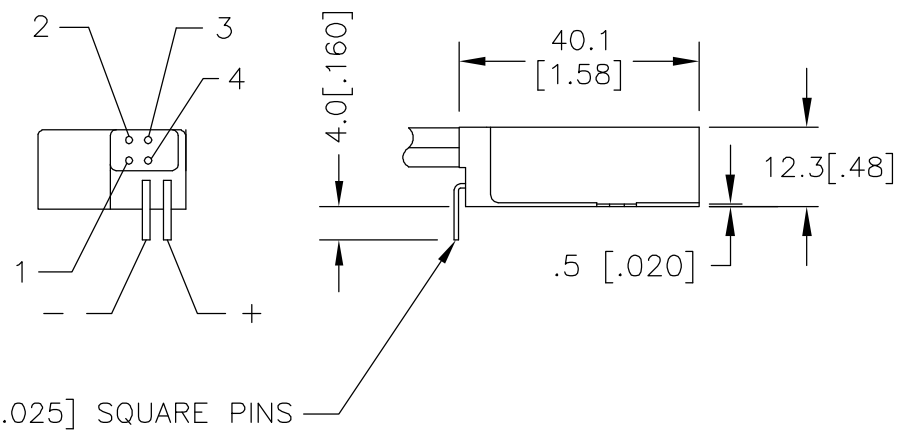


THIS DRAWING IS UNPUBLISHED. RELEASED FOR PUBLICATION  
 © COPYRIGHT - BY TYCO ELECTRONICS CORPORATION. ALL RIGHTS RESERVED.

LOC	DIST	REVISIONS					
EA	51	P	LTR	DESCRIPTION	DATE	DWN	APVD
		2		UPDATE	03OCT06	SM	RP



PART NO.	FIBER TYPE	CONN'TR TYPE	L1	L2
5099416-1	50/125/250	ST	1000+/-50	900+/-24
5099416-2	62.5/125/250	ST	1000+/-50	900+/-24
4-5099416-2	62.5/125/250	LC	1000+/-50	900+/-24
4-5099416-3	62.5/125/250	LC	220+/-20	76.2+/-12.7



NOTES:

- DIMENSIONS IN [ ] ARE IN INCHES.
- PERFORMANCE SPECIFICATIONS  
TESTED PER FOTP-34 METHOD A2.  
INSERTION LOSS DATA INCLUDES TWO CONNECTORIZED PAIRS.

INSERTION LOSS

POWER OFF,	1 TO 2	1.8dB MAX
POWER OFF,	3 TO 4	5.0dB MAX
POWER ON,	1 TO 4	1.8dB MAX
POWER ON,	3 TO 2	1.8dB MAX

OPTICAL CROSSTALK	</=45dB MAX PER FOTP-42
OPERATING WAVELENGTH	750nm TO 1450nm
TESTED WAVELENGTH	1300nm
POWER REQUIREMENTS	4.0 TO 5.5 VOLTS, 80ma MAX AT 5.0 VOLTS
SWITCHING SPEED	10 MILLISECONDS MAX

3. THIS PRODUCT HAS NOT COMPLETED VALIDATION TESTING.

PRELIMINARY

THIS DRAWING IS A CONTROLLED DOCUMENT.		DWN S. MONGOLD 07DEC05	Tyco Electronics Corporation Harrisburg, PA 17105-3608	
DIMENSIONS: mm [INCHES]		CHK R. PAUL 07DEC05	NAME SWII 2X2 TIN (BENT PIN)	
TOLERANCES UNLESS OTHERWISE SPECIFIED:		APVD F. ABENDSCHEIN 07DEC05	SIZE A3 CAGE CODE 00779 DRAWING NO C-5099416 RESTRICTED TO -	
0 PLC ± -		PRODUCT SPEC -	SCALE 1:1 SHEET 1 OF 1 REV 2	
1 PLC ± 0.5		APPLICATION SPEC -	CUSTOMER DRAWING	
2 PLC ± -		WEIGHT -		
3 PLC ± -				
4 PLC ± -				
ANGLES ± 2'				
FINISH -				