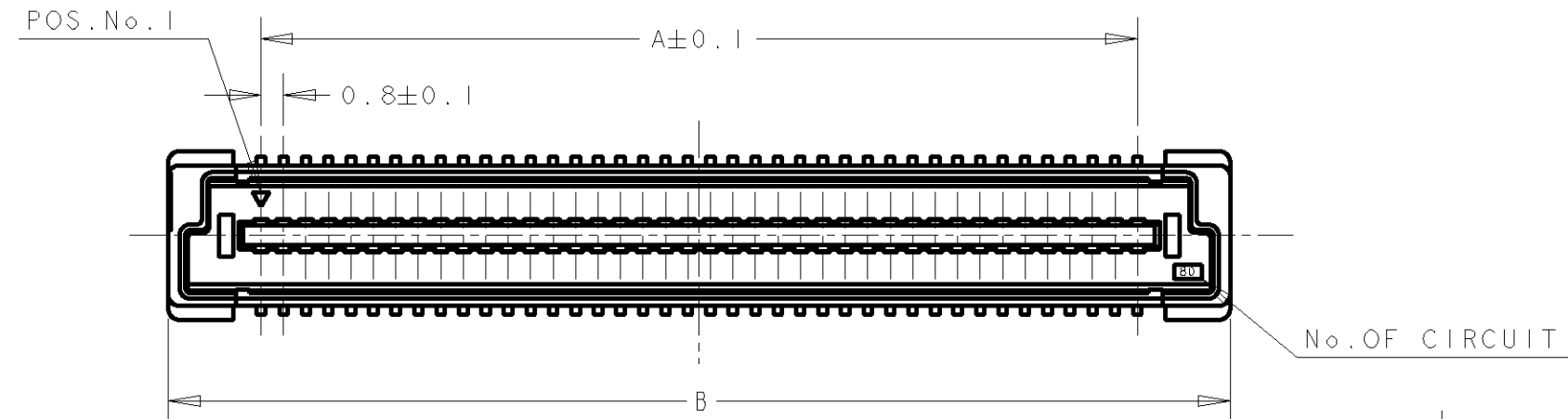
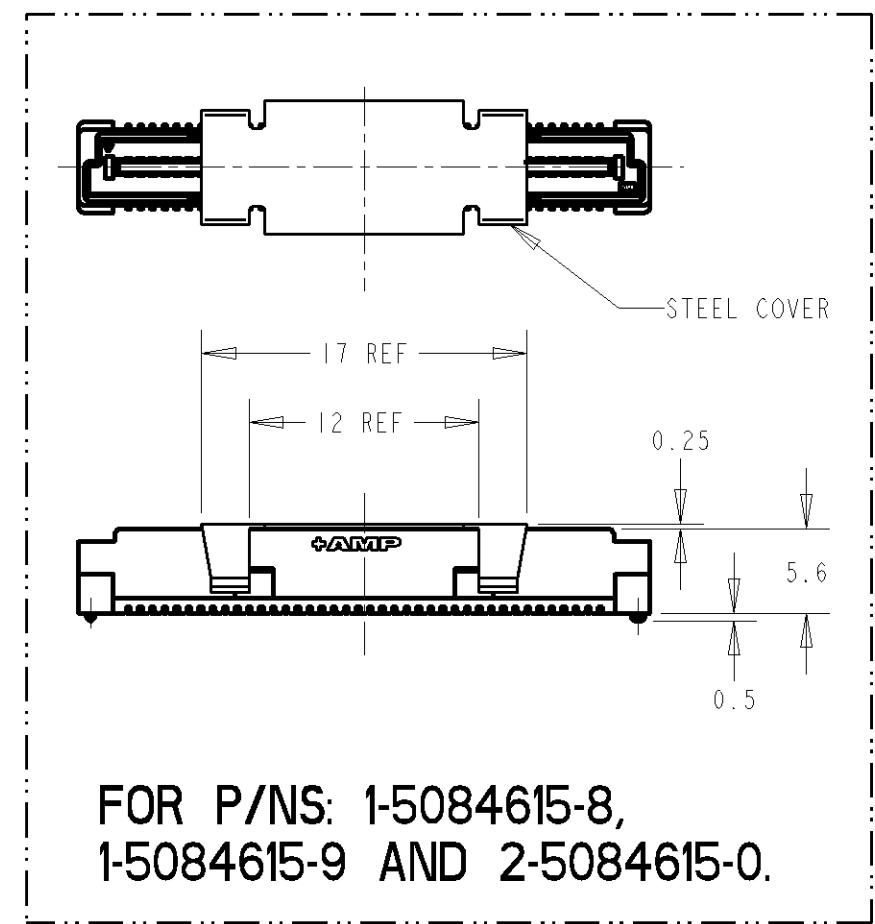
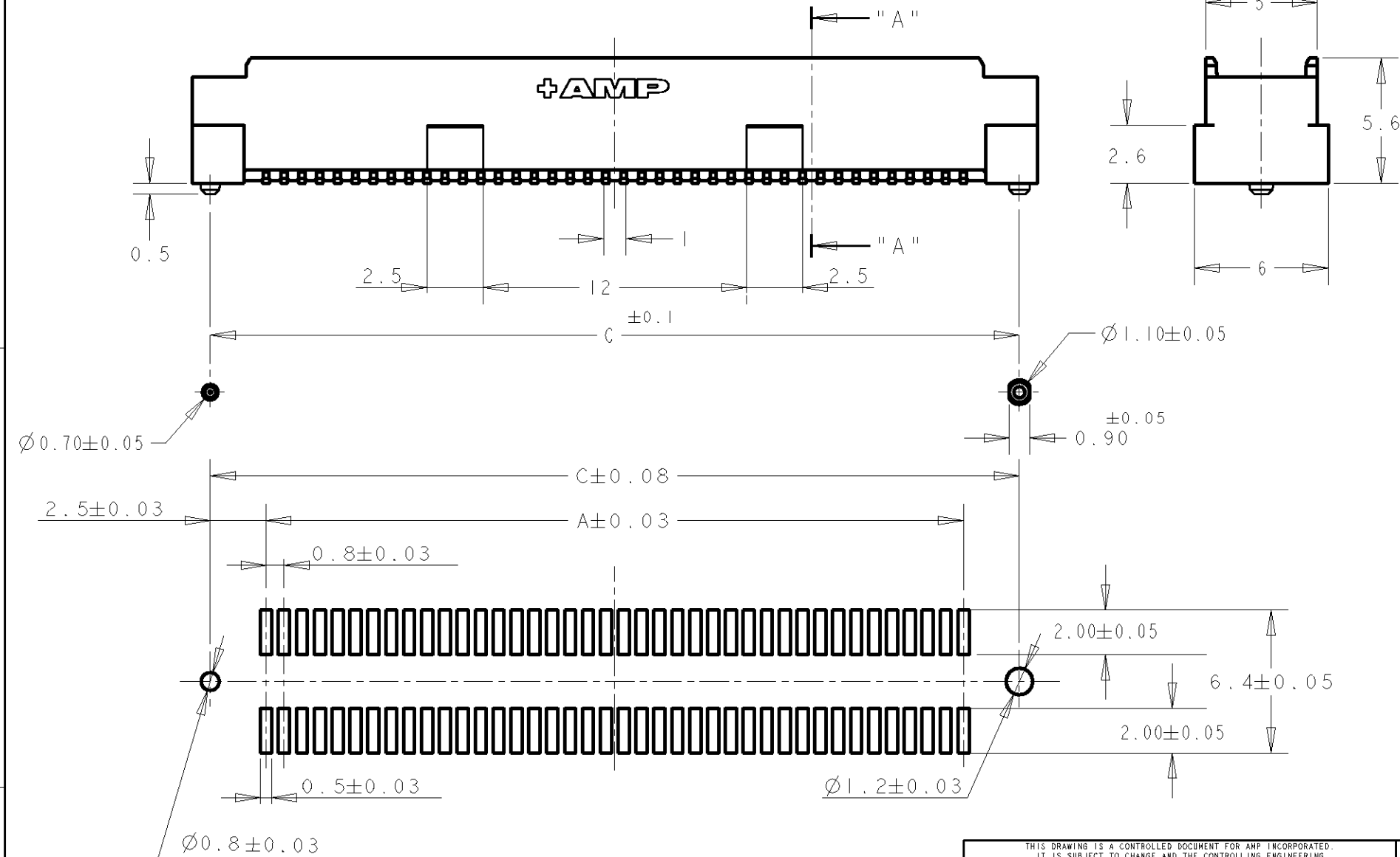


THIS DRAWING IS UNPUBLISHED. RELEASED FOR PUBLICATION .19 .
 © COPYRIGHT 19 BY AMP INCORPORATED. ALL RIGHTS RESERVED.

| LOC | DIST | REVISIONS | | | |
|-----|------|-------------|---------------------------|---------|---------|
| P | LTR | DESCRIPTION | DATE | DWN | APVD |
| DY | - | AI | REVISED PER ECR-06-029208 | 14DEC06 | SYJ LSF |



- NOTES:
- 1. MATERIAL: HOUSING: L.C.P. (HIGH TEMP THERMO PLASTIC) UL 94V-0, NATURAL. CONTACT: BRASS.
 - 2. FINISH: CONTACT AREA: 0.00076 MIN GOLD ON 0.0013 MIN ALL OVER NICKEL. SOLDERING AREA: 0.002 MIN MATTE TIN.
 - 3. POSITION SERIES; SEE TABLE. (SHEET 2)
 - 4. CONN STACK HEIGHT COMBINE OF PLUG "Y" H VS REC "X" H. STACK HEIGHT = Y + X - 5
 - 5. FOR STEEL COVER PICK AND PLACE VERSION, DESCRIPTION PRINTING ON TUBE IS: "PLUG ASS'Y (H=6mm), W/ STEEL COVER, 0.8mm BTB STACKING CONN"



FOR P/NS: 1-5084615-8,
1-5084615-9 AND 2-5084615-0.

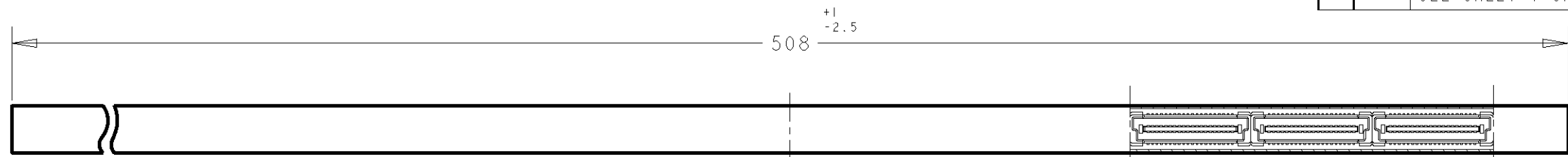
RECOMMENDED P.C. BOARD LAYOUT

P/N SEE SHEET 2 OF 2.

| | | | | | |
|---|--|--------------------------------|---|--------------------|---|
| THIS DRAWING IS A CONTROLLED DOCUMENT FOR AMP INCORPORATED. IT IS SUBJECT TO CHANGE AND THE CONTROLLING ENGINEERING ORGANIZATION SHOULD BE CONTACTED FOR THE LATEST REVISION. | | DWN FLORENCE TAN 23AUG04 | tyco Electronics | | TYCO ELECTRONICS (SINGAPORE) PTE. LTD. |
| DIMENSIONS: mm | | CHK ERIC TNG | NAME PLUG ASSEMBLY 6H TYPE 30Au (0.5 BOSS LENGTH) FOR FH 0.8mm PITCH B-T-B CONNECTOR | | |
| TOLERANCES UNLESS OTHERWISE SPECIFIED: 0 PLC ± 1 PLC ±0.30 2 PLC ±0.25 3 PLC ±0.20 4 PLC ± ANGLES ±3° | | APVD SEIFONG | DRAWING NO C-5084615 | | |
| MATERIAL | | PRODUCT SPEC 108-5390 | SIZE A3 | CAGE CODE 00779 | SCALE 4:1 |
| FINISH | | APPLICATION SPEC 114-5254 | SHEET 1 OF 2 | | REV A1 |
| 1 | | WEIGHT - | CUSTOMER DRAWING | | |
| 2 | | | | | |

THIS DRAWING IS UNPUBLISHED. RELEASED FOR PUBLICATION .19
 © COPYRIGHT 19 BY AMP INCORPORATED. ALL RIGHTS RESERVED.

| LOC | DIST | REVISIONS | | | | | |
|-----|------|-----------|-----|--------------------|------|-----|------|
| DY | - | P | LTR | DESCRIPTION | DATE | DWN | APVD |
| | | | | - SEE SHEET 1 OF 2 | | | |



REFERENCE PICTURE OF TUBE PACK (WITHOUT STEEL COVER VERSION)

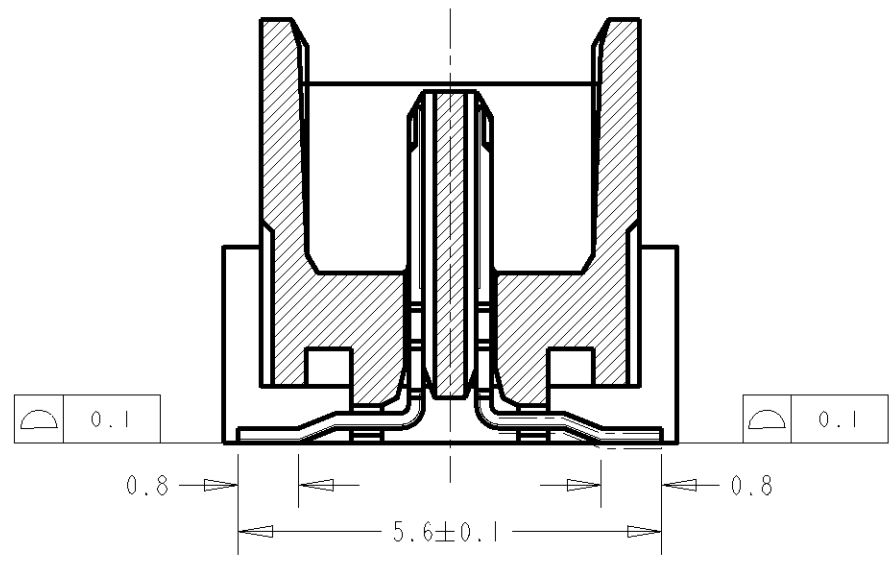
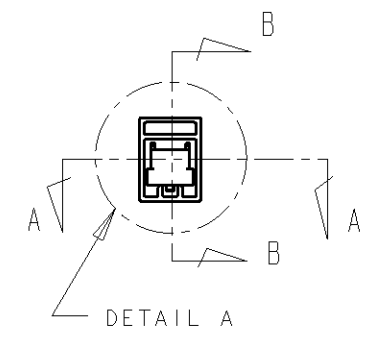


REFERENCE PICTURE OF TUBE PACK

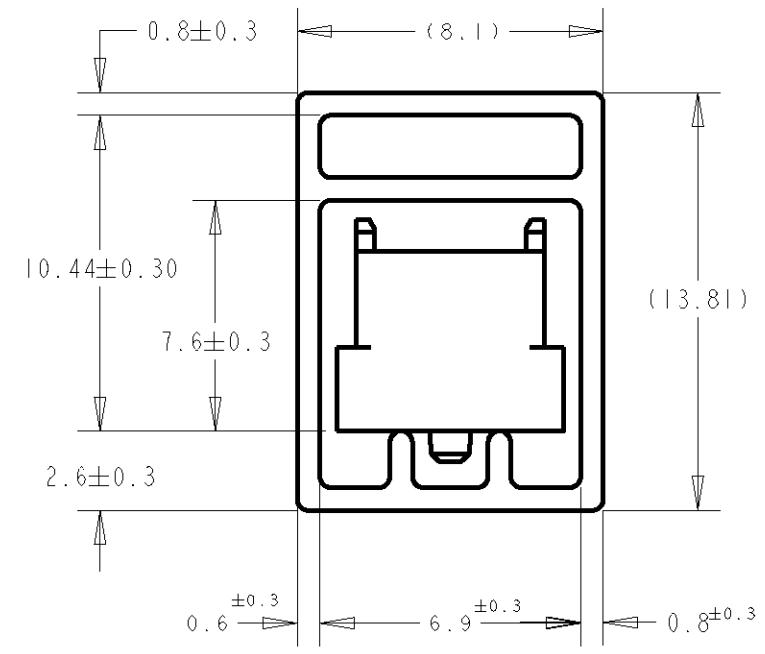
PLUG ASS'Y (H=6mm), 0.8mm BTB STACKING CONN

SECT A-A

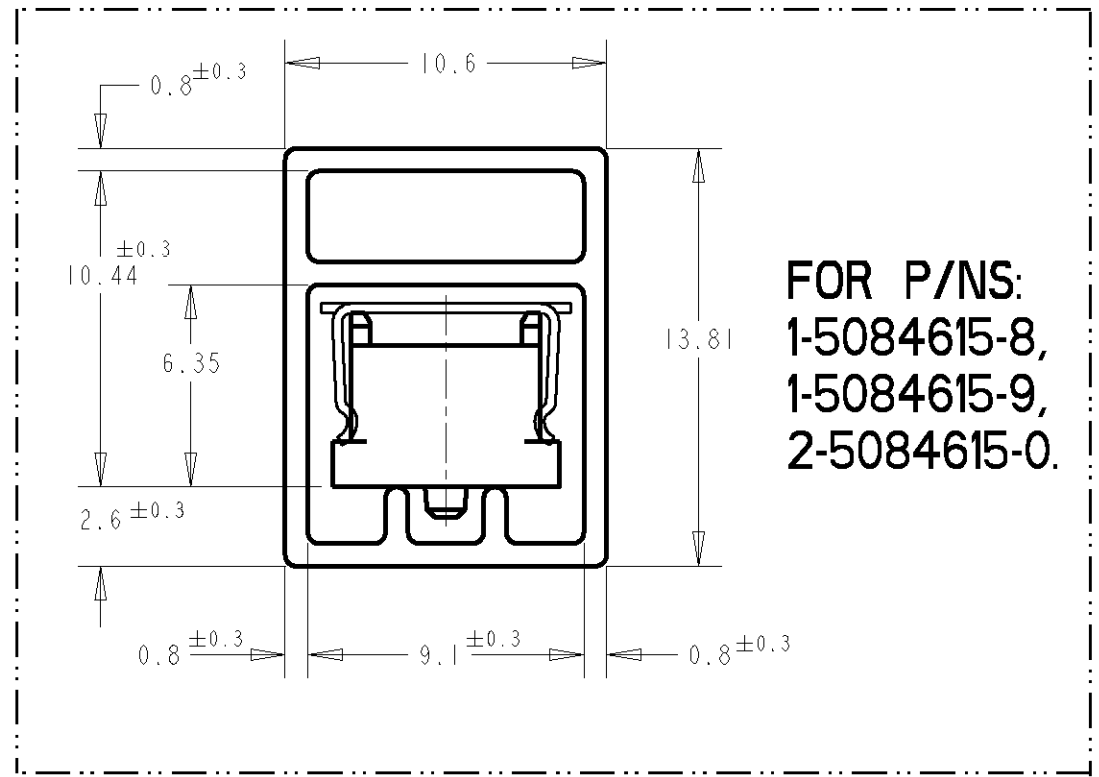
SECT B-B



SECT. "A" - "A"



DETAIL "B"
(SCALE 5-1)



FOR P/NS:
1-5084615-8,
1-5084615-9,
2-5084615-0.

| | | | | | | | | |
|---------------------|-----------|--------------|------|------|-----------|------|----------|----|
| WITH STEEL COVER | AVAILABLE | 5 | 84.2 | 85.8 | 79.2 | 200 | 2- | -0 |
| | | 6 | 76.2 | 77.8 | 71.2 | 180 | 1- | -9 |
| | | 6 | 68.2 | 69.8 | 63.2 | 160 | 1- | -8 |
| | | 5 | 84.2 | 85.8 | 79.2 | 200 | 1- | -0 |
| | | 6 | 76.2 | 77.8 | 71.2 | 180 | | -9 |
| | | 6 | 68.2 | 69.8 | 63.2 | 160 | | -8 |
| | | 7 | 60.2 | 61.8 | 55.2 | 140 | | -6 |
| | | 9 | 52.2 | 53.8 | 47.2 | 120 | | -5 |
| | | 10 | 44.2 | 45.8 | 39.2 | 100 | | -4 |
| | | 12 | 36.2 | 37.8 | 31.2 | 80 | | -3 |
| 16 | 28.2 | 29.8 | 23.2 | 60 | | -2 | | |
| 22 | 20.2 | 21.8 | 15.2 | 40 | 5084615-1 | | | |
| REMARKS | STATUS | QTY/ TUBE | C | B | A | POS. | CONN P/N | |

| | | | | | | |
|---|--|--------------------------------|---|--------|---|-----------|
| THIS DRAWING IS A CONTROLLED DOCUMENT FOR AMP INCORPORATED. IT IS SUBJECT TO CHANGE AND THE CONTROLLING ENGINEERING ORGANIZATION SHOULD BE CONTACTED FOR THE LATEST REVISION. | | DWN FLORENCE TAN 24AUG04 | tyco Electronics | | TYCO ELECTRONICS (SINGAPORE) PTE. LTD. | |
| DIMENSIONS: mm | | CHK ERIC TNG | NAME PLUG ASSEMBLY 6H TYPE 30Au (0.5 BOSS LENGTH) FOR FH 0.8mm PITCH B-T-B CONNECTOR | | | |
| TOLERANCES UNLESS OTHERWISE SPECIFIED: 0 PLC ± 1 PLC ±0.2 2 PLC ±0.25 3 PLC ±0.3 4 PLC ± ANGLES ±3° | | APVD SEIFONG | PRODUCT SPEC 108-5390 | | | |
| MATERIAL | | APPLICATION SPEC 114-5254 | DRAWING NO C-5084615 | | | |
| FINISH | | WEIGHT - | SIZE A3 | | CAGE CODE 00779 | SCALE 4:1 |
| CUSTOMER DRAWING | | SHEET 2 OF 2 | | REV A1 | | |