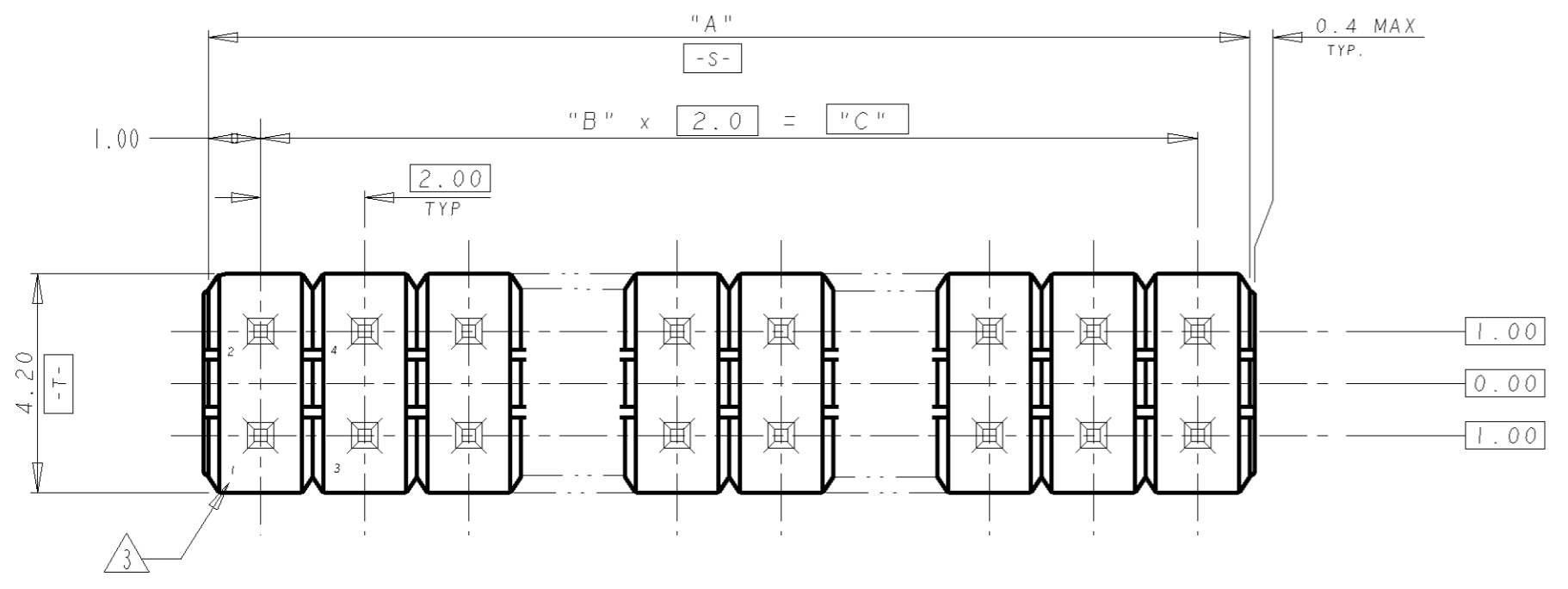


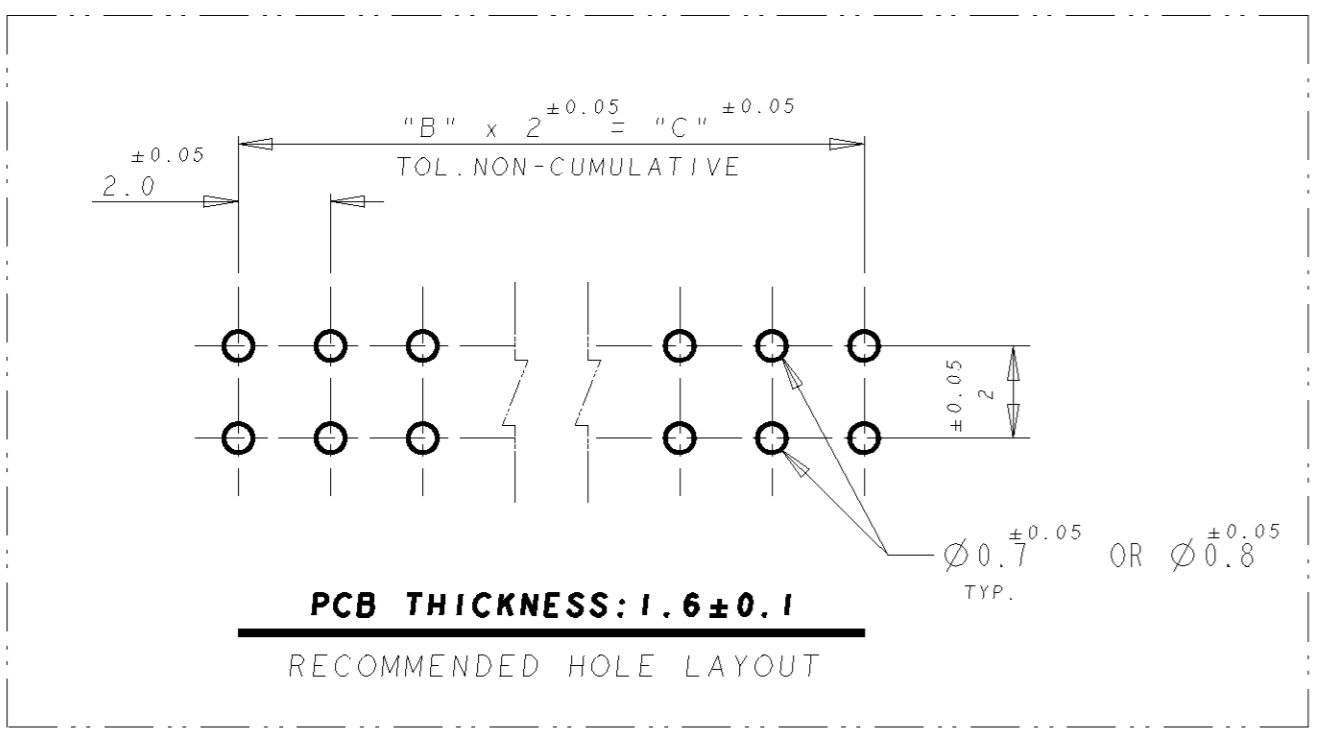
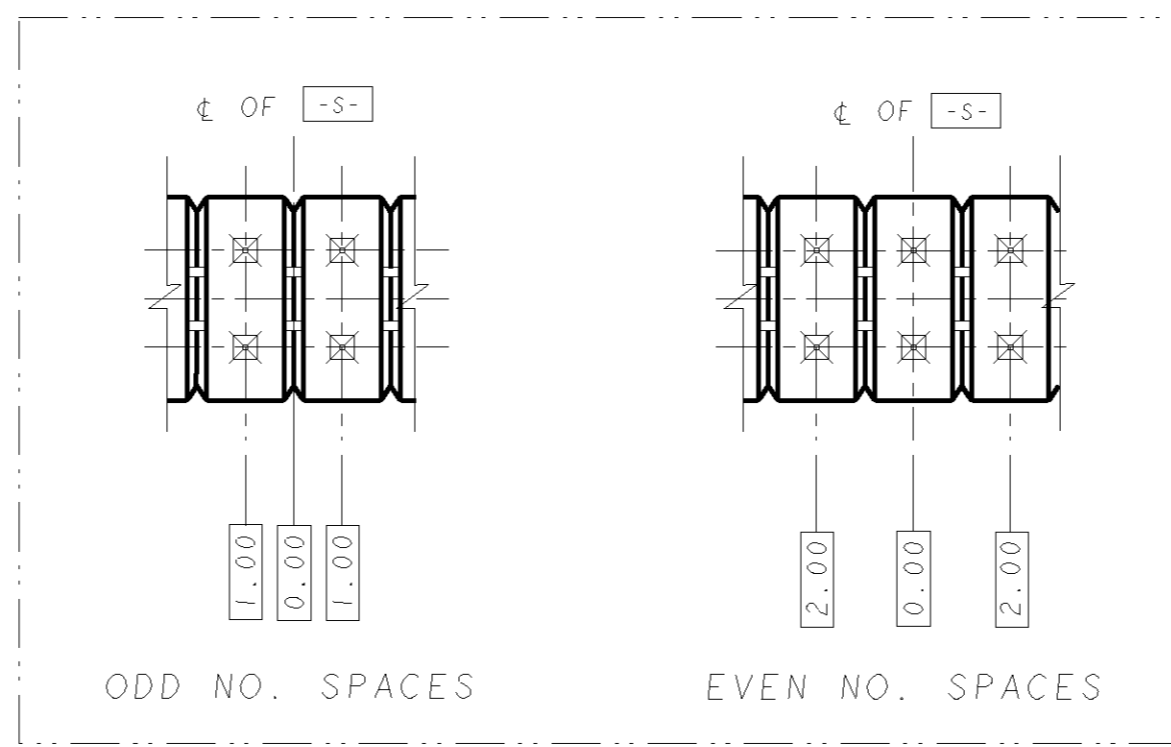
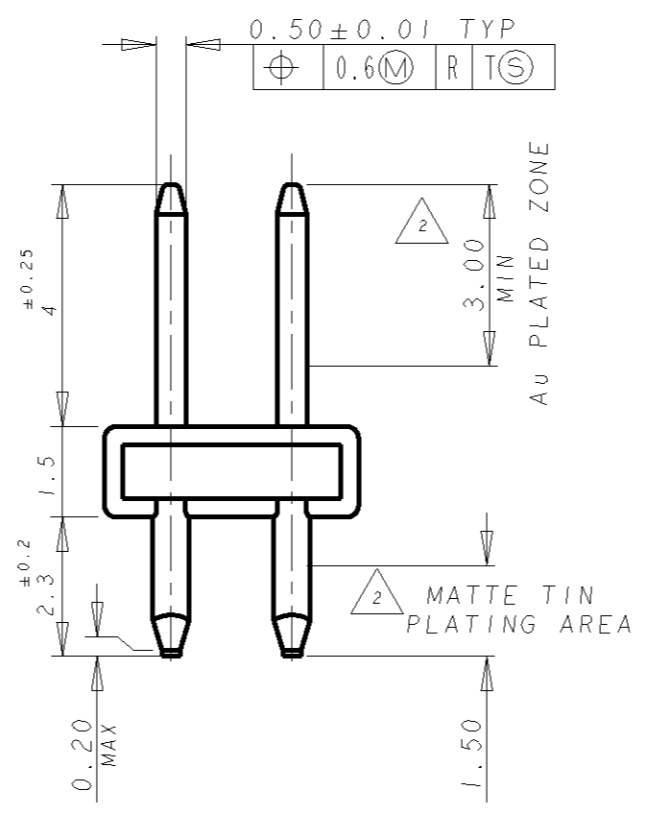
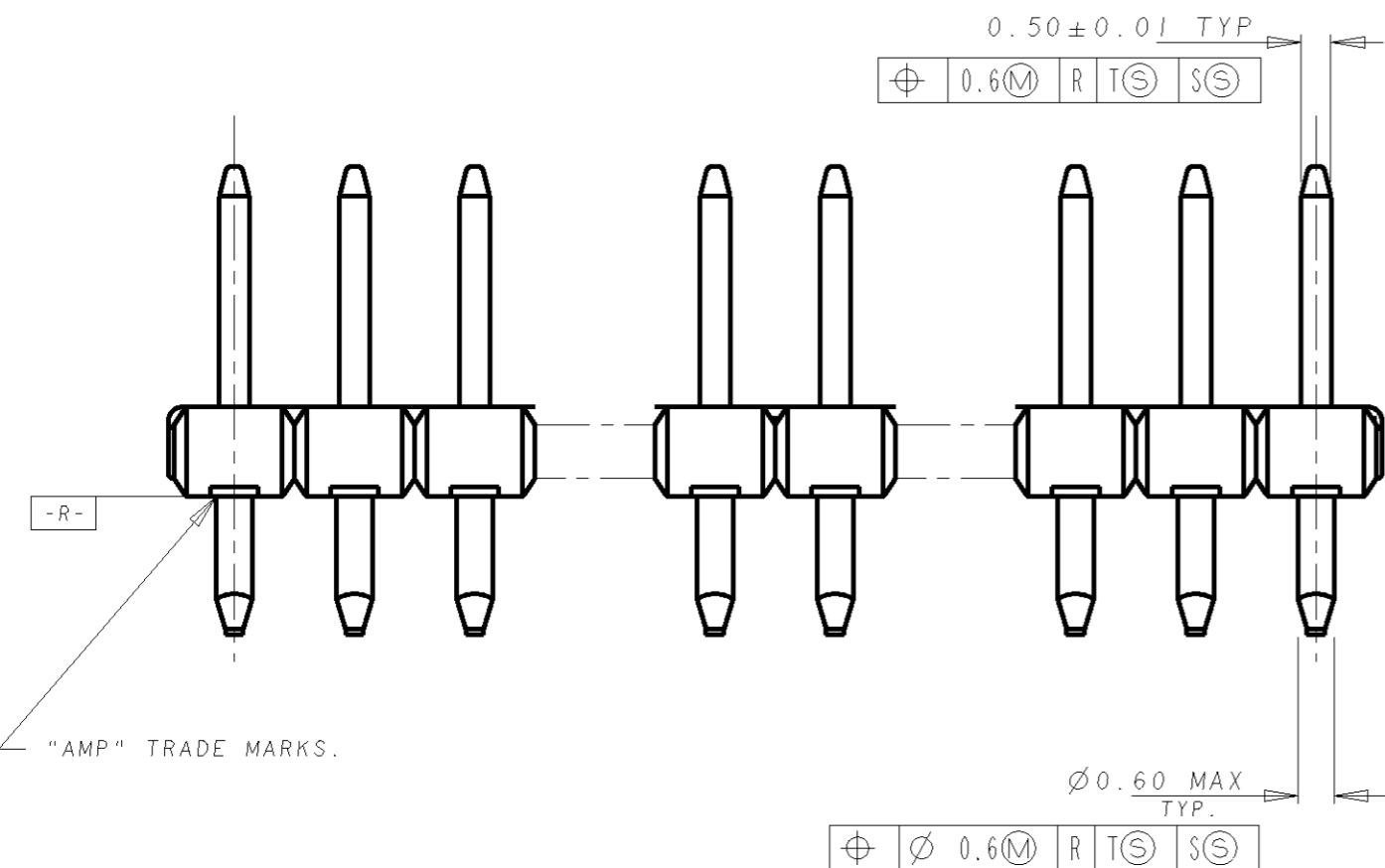
THIS DRAWING IS UNPUBLISHED. RELEASED FOR PUBLICATION .19
 BY AMP INCORPORATED. ALL RIGHTS RESERVED.

LOC	DIST	REVISIONS			
P	LTR	DESCRIPTION	DATE	DWN	APVD
DY	-	0	NPR FP00-0027-05	SAPR05	LWY VT



NOTES:

- 1 MATERIAL HOUSING: THERMOPLASTIC, UL 94V-0.
POST : BRASS
- 2 FINISH CONTACT AREA: GOLD FLASH OVER 0.76um MIN THK PALLADIUM-NICKEL OVER 0.0013 MIN THK NICKEL.
POST TINE: 0.002 MIN THK MATTE TIN OVER 0.0013 MIN THK NICKEL.
- 3 POST POSITION NUMBERS FOR REFERENCE ONLY.



GENERAL TOLERANCE

0 <+< 10	: ±0.2
10 <+< 30	: ±0.25
30 <+< 100	: ±0.3
ANGLES	: ±3°

DIMENSIONS: mm		TOLERANCES UNLESS OTHERWISE SPECIFIED:	
0 PLC	±	0 PLC	±
1 PLC	±	1 PLC	±
2 PLC	±	2 PLC	±
3 PLC	±	3 PLC	±
4 PLC	±	4 PLC	±
ANGLES		±	
FINISH		±	

DWN WYLEE	5APR05	tyco Electronics		Tyco Electronics	Singapore Pte. Ltd.
CHK VINCENT TAN		NAME		AMPMODU 2mm PITCH POST HDR, VERTICAL MOUNT TYPE, LEADFREE	
APVD SE LEONG		PRODUCT SPEC		-	
APPLICATION SPEC		-		-	
SIZE A2	CAGE CODE 00779	DRAWING NO		5084184	
CUSTOMER DRAWING		SCALE 8:1	SHEET 1	OF 1	REV 0

10	5	12	12	5084184-8
2	1	4	4	5084184-6
4	2	6	6	5084184-5
20	10	22	22	5084184-1
PIN OMITTED	"C"	"B" SPACES	"A" POS	P/N