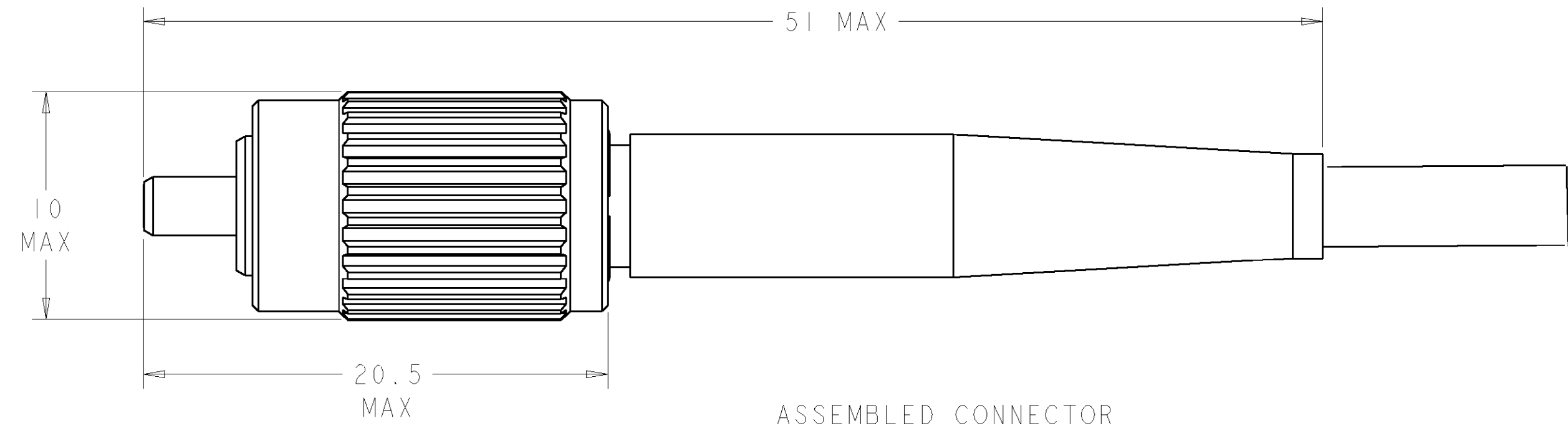


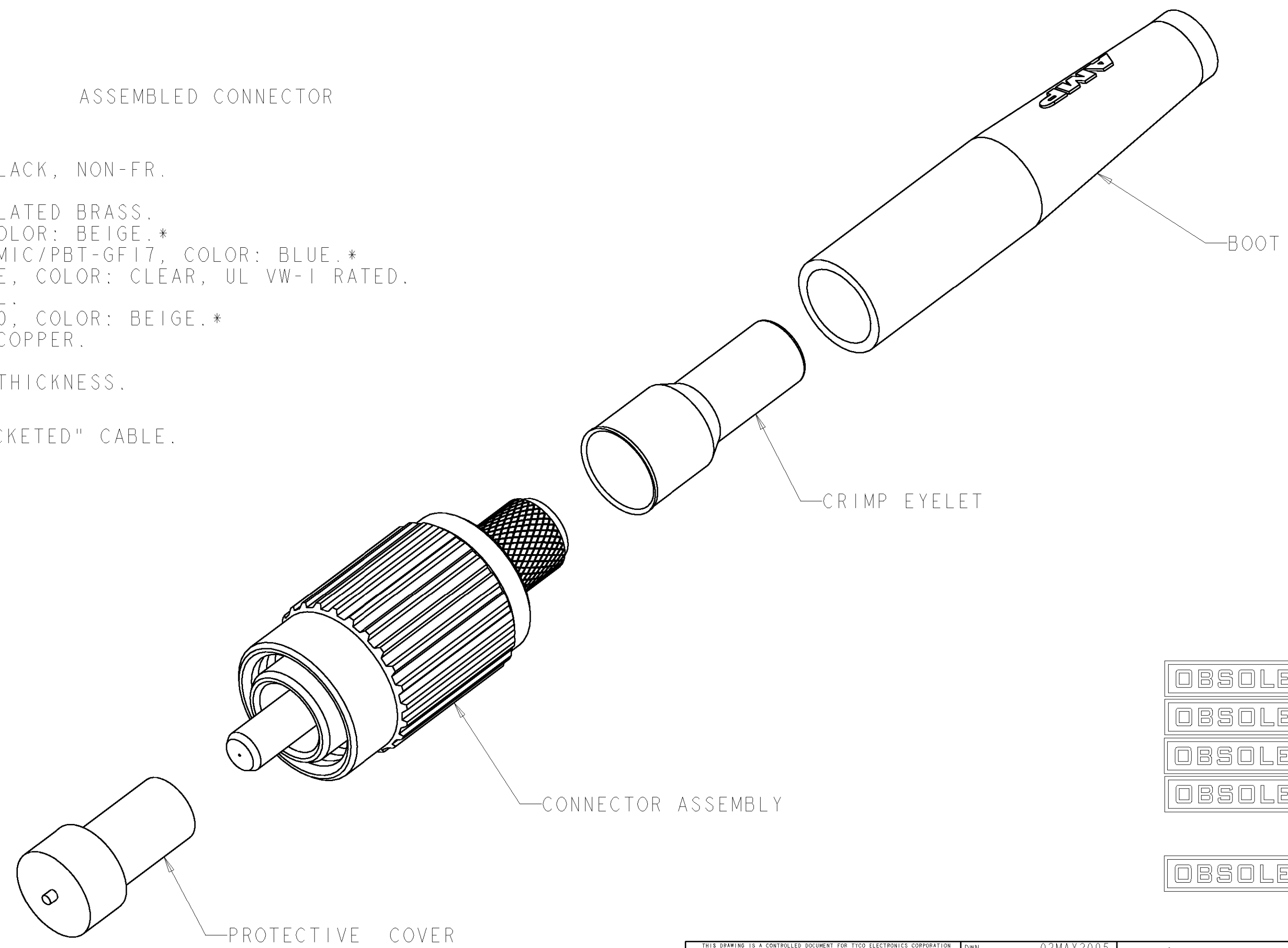
THIS DRAWING IS UNPUBLISHED. RELEASED FOR PUBLICATION 20  
 © COPYRIGHT 20 BY TYCO ELECTRONICS CORPORATION. ALL RIGHTS RESERVED.

LOC	DIST	REVISIONS					
		P	LTR	DESCRIPTION	DATE	DWN	APVD
CE	00		C	REVISE PER 0A00-0150-05	02MAY2005	BB	SM



⚠ MATERIAL:  
 PROTECTIVE COVER: LDPE, BLACK, NON-FR.  
 CONNECTOR SUB-ASSEMBLY:  
 COUPLING NUT: NICKEL PLATED BRASS.  
 PLUG BODY: PPS-GF40, COLOR: BEIGE.\*  
 FERRULE ASSEMBLY: CERAMIC/PBT-GF17, COLOR: BLUE.\*  
 EPOXY-FILL TUBING: PTFE, COLOR: CLEAR, UL VW-1 RATED.  
 SPRING: STAINLESS STEEL.  
 RETAINER BODY: PES-GF20, COLOR: BEIGE.\*  
 CRIMP EYELET: TIN PLATED COPPER.  
 BOOT: TPE, COLOR: BLUE.\*  
 \*UL94 V-0 RATED AT QUALIFYING THICKNESS.

2. TO BE USED WITH 2.0mm "LOOSE JACKETED" CABLE.



<b>OBSOLETE</b>	504915-6
<b>OBSOLETE</b>	504915-5
<b>OBSOLETE</b>	504915-4
<b>OBSOLETE</b>	504915-3
	504915-2
<b>OBSOLETE</b>	504915-1
	PART NUMBER

THIS DRAWING IS A CONTROLLED DOCUMENT FOR TYCO ELECTRONICS CORPORATION. IT IS SUBJECT TO CHANGE AND THE CONTROLLING ENGINEERING ORGANIZATION SHOULD BE CONTACTED FOR THE LATEST REVISION.		DWN B. BRIGGS 02MAY2005	Tyco Electronics Harrisburg, PA 17105-3608	
DIMENSIONS: mm		CHK S. MILLER 02MAY2005	NAME CONNECTOR KIT, SINGLEMODE, FC, ONE PIECE, 2.0mm	
TOLERANCES UNLESS OTHERWISE SPECIFIED: 0 PLC ± 1 PLC ± 2 PLC ± 3 PLC ± 4 PLC ± ANGLES ± FINISH		APVD S. RUCHTER 02MAY2005	RESTRICTED TO	
MATERIAL		PRODUCT SPEC -	SIZE A2	CAGE CODE 00779
-		APPLICATION SPEC -	DRAWING NO 504915	REV C
-		WEIGHT -	SCALE 5:1 SHEET 1 OF 1	
-		CUSTOMER DRAWING		