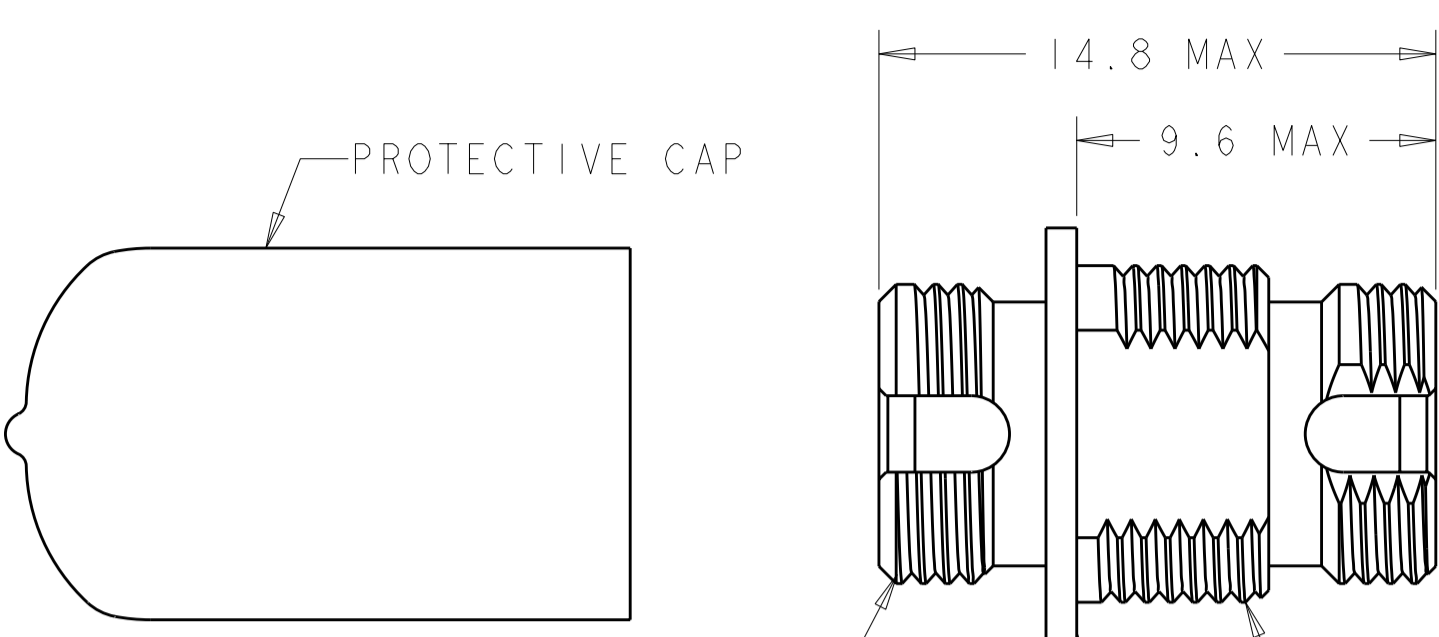


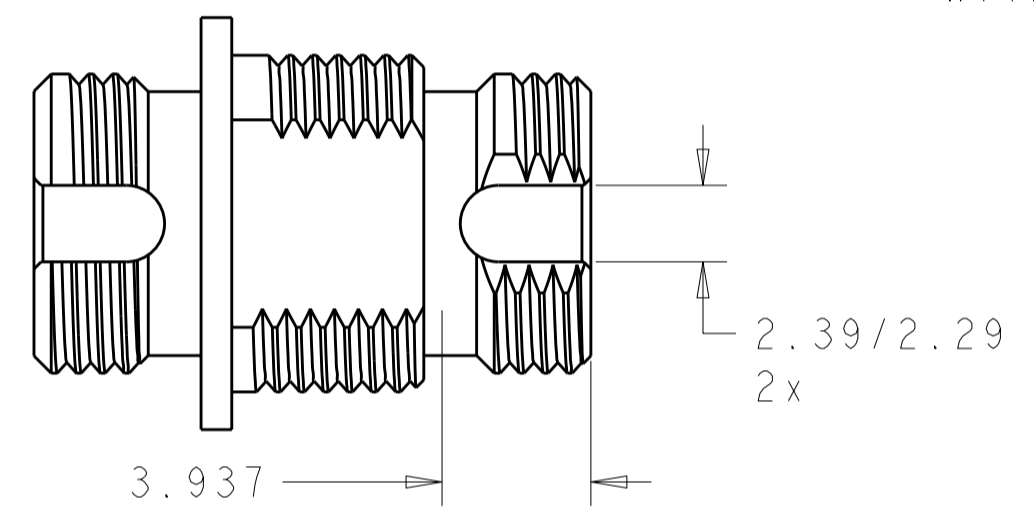
THIS DRAWING IS UNPUBLISHED. RELEASED FOR PUBLICATION 20  
 © COPYRIGHT 20 BY TYCO ELECTRONICS CORPORATION. ALL RIGHTS RESERVED.

LOC	DIST	REVISIONS					
CE	00	P	LTR	DESCRIPTION	DATE	DWN	APVD
		P		REVISE PER 0A00-0411-04	09AUG2004	BB	SB
		PI		REVISED PER ECO-09-025699	31DEC2009	KK	AEG

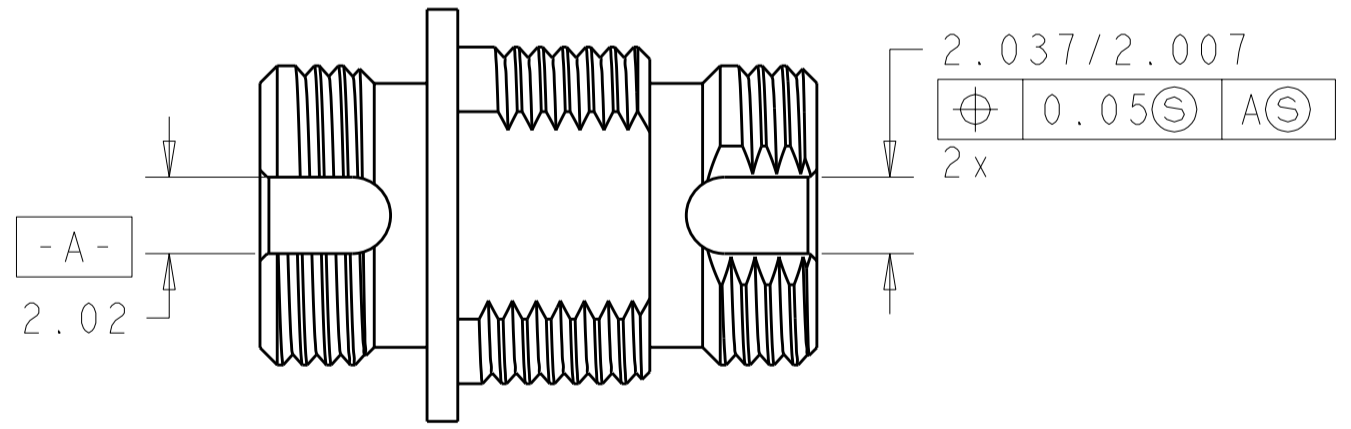


M8 x 0.75-6g BOTH ENDS  
 M9 x 0.75-6g  
 HOUSING ADAPTER WITH SLEEVE  
 LOCKWASHER  
 M9 x 0.75-6H HEX NUT

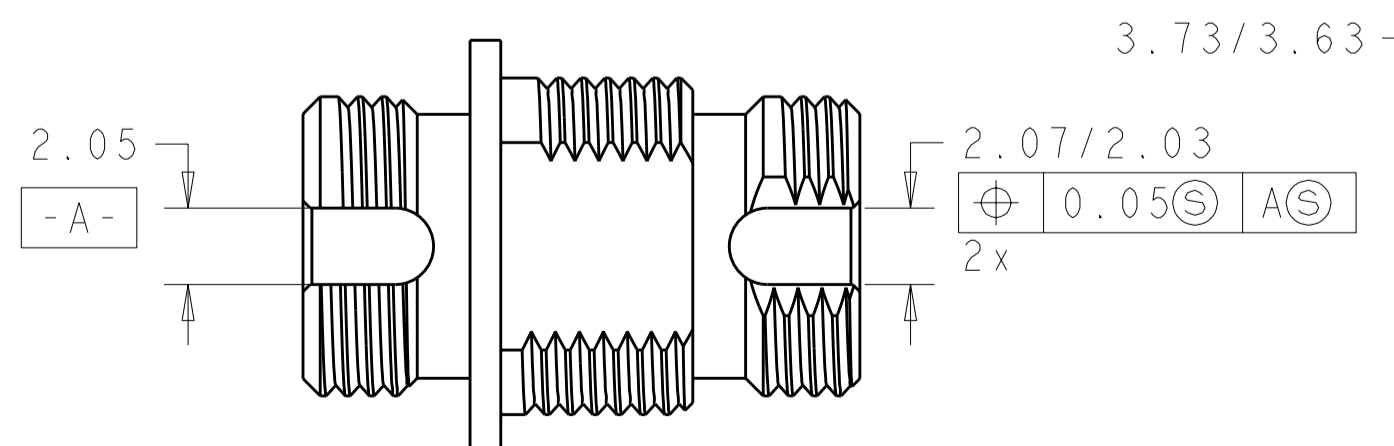
- 1 MATERIAL:  
 HOUSING, INSERT, HEX NUT: COPPER ALLOY  
 SLEEVE: SEE TABLE  
 LOCK WASHER: STEEL  
 PROTECTIVE CAP: VINYL
- 2 FINISH:  
 HOUSING, INSERT, HEX NUT, LOCK WASHER: NICKEL PLATE.
- 3 BULK PACKAGED.
- 4 MAXIMUM RECOMMENDED PANEL THICKNESS 1.65.
- 5 OBSOLETE PARTS: OBSOLETE CIS STREAMLINING PER D.RENAUD/D.SINISI



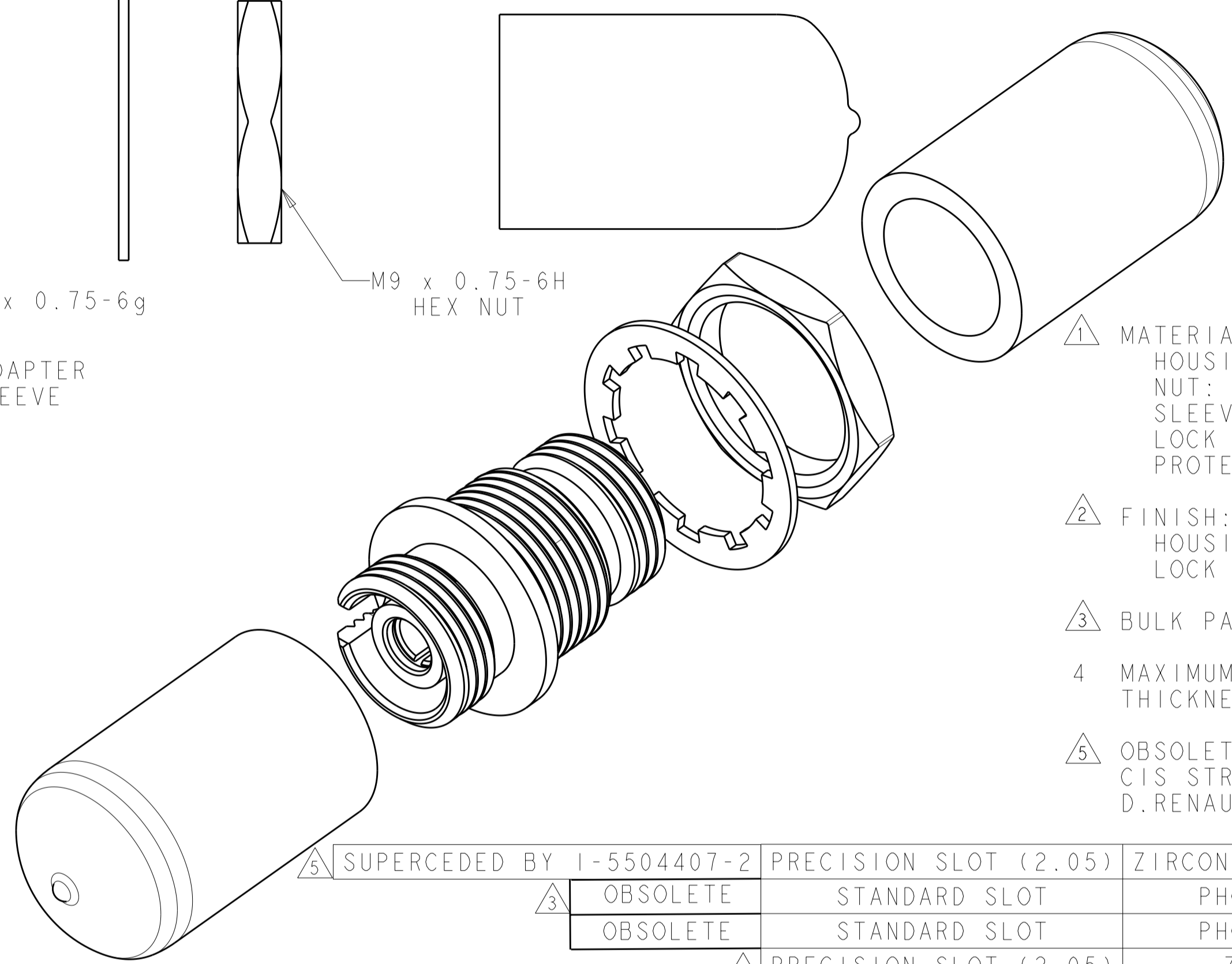
STANDARD SLOT



PRECISION SLOT (2.02)



PRECISION SLOT (2.05)



DESCRIPTION	SLEEVE MATERIAL	PART NUMBER
5 3 SUPERCEDED BY 1-5504407-2	PRECISION SLOT (2.05)	ZIRCONIA (LOW LOSS) 1-504407-2
3	OBSOLETE STANDARD SLOT	PHOS BRONZE 1-504407-1
3	OBSOLETE STANDARD SLOT	PHOS BRONZE 1-504407-0
3	PRECISION SLOT (2.05)	ZIRCONIA 504407-9
	PRECISION SLOT (2.05)	ZIRCONIA 504407-8
	PRECISION SLOT (2.02)	ZIRCONIA 504407-7
5 3 SUPERCEDED BY 5504407-6	PRECISION SLOT (2.02)	ZIRCONIA 504407-6
3	OBSOLETE PRECISION SLOT (2.02)	PHOS BRONZE 504407-5
3	STANDARD SLOT	ZIRCONIA 504407-4
	STANDARD SLOT	ZIRCONIA 504407-3
5 3 SUPERCEDED BY 5504407-2	STANDARD SLOT	PHOS BRONZE 504407-2
	STANDARD SLOT	PHOS BRONZE 504407-1

THIS DRAWING IS A CONTROLLED DOCUMENT FOR TYCO ELECTRONICS CORPORATION. IT IS SUBJECT TO CHANGE AND THE CONTROLLING ENGINEERING ORGANIZATION SHOULD BE CONTACTED FOR THE LATEST REVISION.

DWN B. BRIGGS 09AUG2004  
 CHK S. BUCHTER 09AUG2004  
 APVD S. BUCHTER 09AUG2004

Tyco Electronics  
 Harrisburg, PA 17105-3608

NAME: ADAPTER KIT, FC, PRECISION AND STANDARD SLOT

SIZE: A2 CAGE CODE: 00779 DRAWING NO: 504407 RESTRICTED TO: -

MATERIAL: 1 - TOLERANCES UNLESS OTHERWISE SPECIFIED: 0 PLC ±, 1 PLC ±, 2 PLC ±0.25, 3 PLC ±, 4 PLC ±, ANGLES ±, FINISH 2 -

PRODUCT SPEC: -  
 APPLICATION SPEC: -  
 WEIGHT: -

CUSTOMER DRAWING SCALE: 5:1 SHEET 1 OF 1 REV: PI