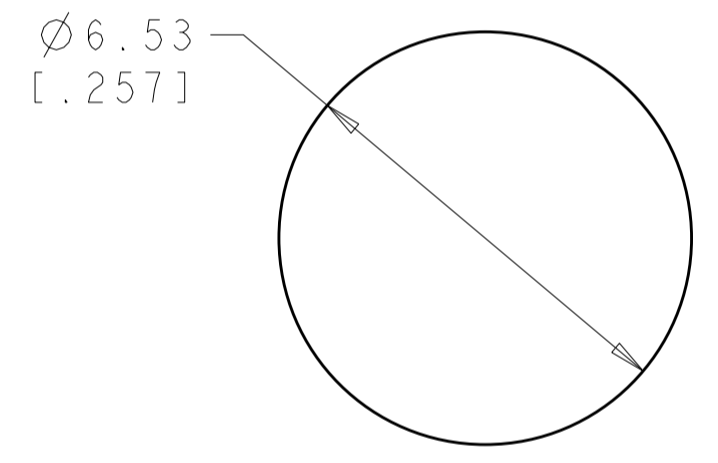
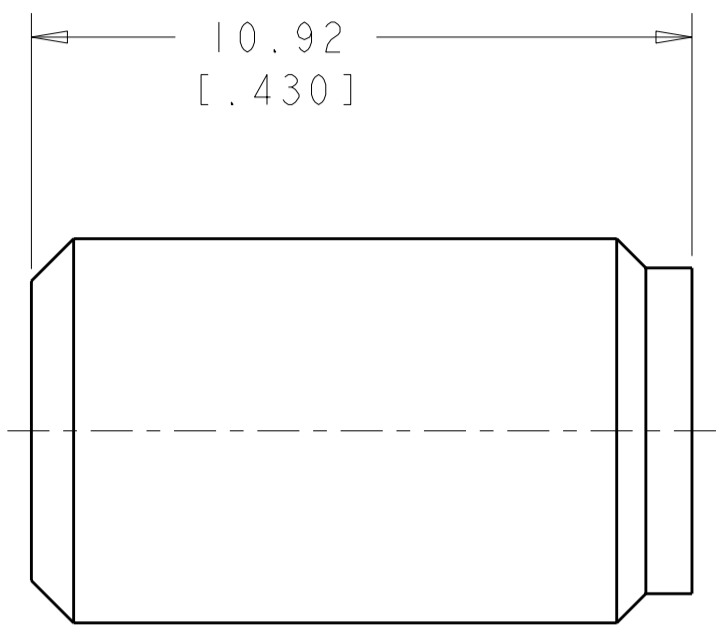
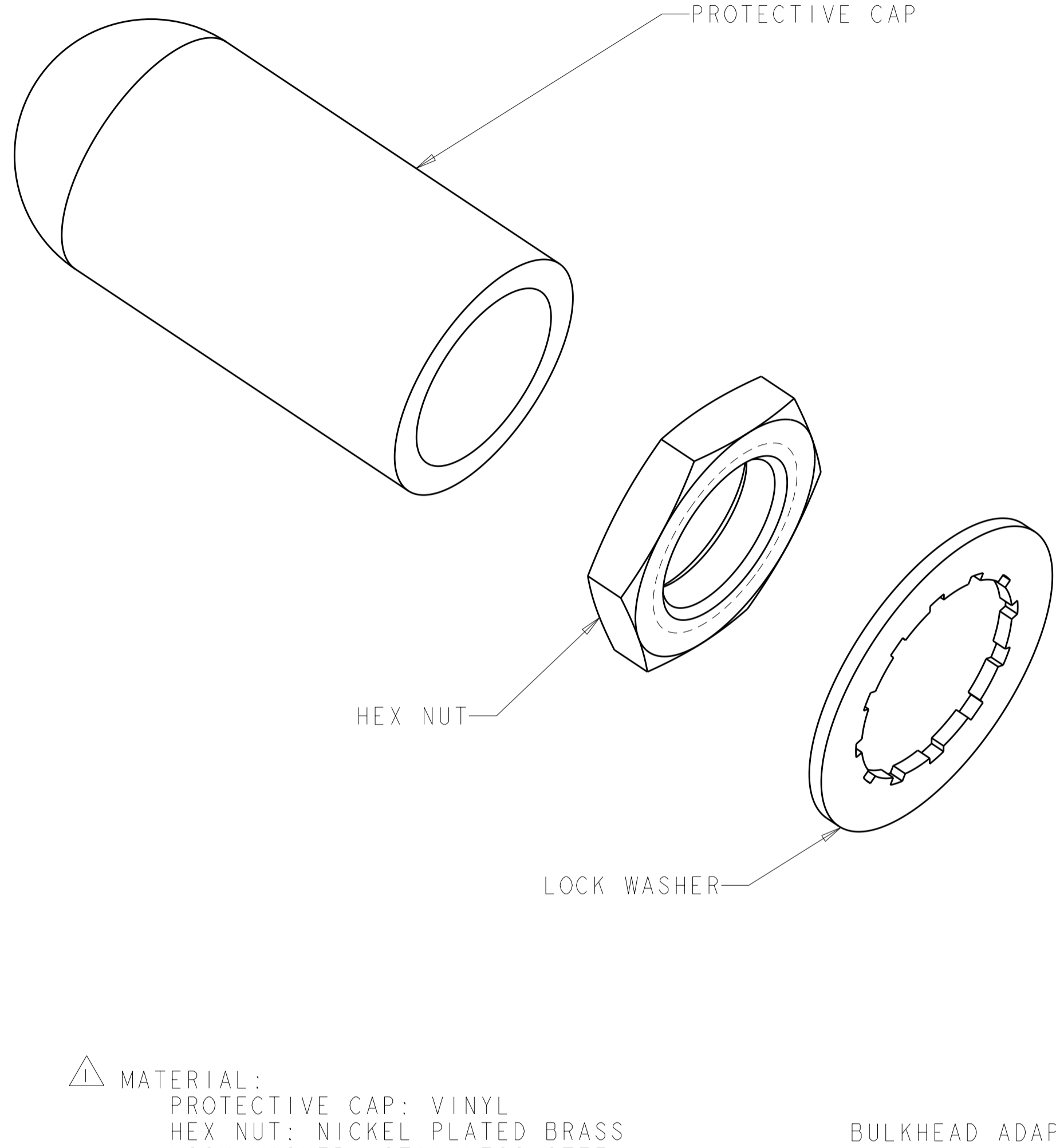


THIS DRAWING IS UNPUBLISHED. RELEASED FOR PUBLICATION 20  
 © COPYRIGHT 20 BY - ALL RIGHTS RESERVED.

LOC	DIST	REVISIONS			
P	LTR	DESCRIPTION	DATE	DWN	APVD
CE	00	J	REVISED PER ECR 11-022976	13NOV2011	DLF LS



RECOMMENDED PANEL CUTOUT

1 MATERIAL:  
 PROTECTIVE CAP: VINYL  
 HEX NUT: NICKEL PLATED BRASS  
 LOCK WASHER: STAINLESS STEEL  
 BULKHEAD ADAPTER: STAINLESS STEEL

2. FOR USE WITH 5.0[0.188] MAXIMUM PANEL THICKNESS.

504031-1  
 PART NUMBER

THIS DRAWING IS A CONTROLLED DOCUMENT.		DWN B. BRIGGS	30SEP2005	<b>STE</b> TE Connectivity	
DIMENSIONS: INCHES		CHK L. SAUERWEIN	30SEP2005		
TOLERANCES UNLESS OTHERWISE SPECIFIED:		APVD S. BUCHTER	30SEP2005	NAME BULKHEAD ASSEMBLY, FSMA ADAPTER	
0 PLC $\pm$		PRODUCT SPEC		SIZE	
1 PLC $\pm$		APPLICATION SPEC		CAGE CODE	
2 PLC $\pm 0.131[.005]$		WEIGHT		DRAWING NO	
3 PLC $\pm$		-		RESTRICTED TO	
4 PLC $\pm$		-		A200779C-504031	
ANGLES $\pm$		CUSTOMER DRAWING		SCALE 5:1	
FINISH		-		SHEET 1 OF 1	
MATERIAL		-		REV J	