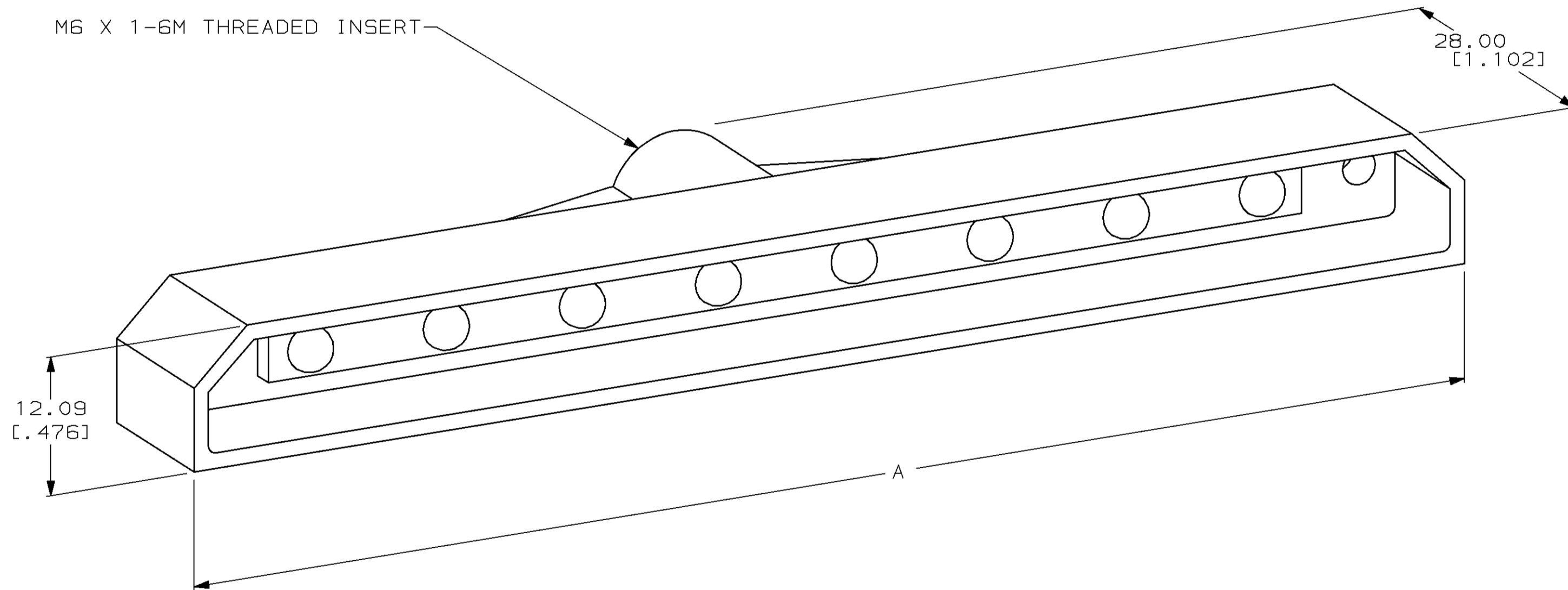


THIS DRAWING IS UNPUBLISHED. RELEASED FOR PUBLICATION, 19
 © COPYRIGHT 19 BY AMP INCORPORATED. ALL RIGHTS RESERVED.

LOC		DIST		REVISIONS			
P	LTR	DESCRIPTION		DATE	DWN	APVD	
CE	16	0		REL PER NPR 94-259	1-13-95	RH GG	

1. DIMENSIONS IN [] ARE IN INCHES.



29.00 [1.142]	1	503800-4
41.50 [1.634]	2	503800-3
66.50 [2.618]	4	503800-2
116.79 [4.598]	8	503800-1
DIM A	NUMBER POSITIONS	PART NUMBER

DIMENSIONS:		TOLERANCES UNLESS OTHERWISE SPECIFIED:		DWN		CHK		APVD		NAME	
mm		0 PLC ±-	1 PLC ±-	R.HILEMAN	11-4-94	G.GIBBS	1-13-95	G.GIBBS	1-13-95	AMP Incorporated Harrisburg, PA 17105-3608	
		2 PLC ±0.25 (.010)	3 PLC ±-	G.GIBBS		G.GIBBS		PRODUCT SPEC		DUST COVER, LIGHTPLANE, MOTHERBOARD	
MATERIAL		4 PLC ±-	ANGLES ±-	APPLICATION SPEC		WEIGHT		SIZE		CAGE CODE	DRAWING NO
-		FINISH	-	-		-		A2	00779	00779	©-503800
				CUSTOMER DRAWING		SCALE		NTS	SHEET	1 OF 1	REV 0

503800