

SPECIFICATION CONTROL DRAWING

5021D1331

CHEMINAX

50 OHM, AWG 21, 19 STRANDS OF AWG 33,
COAXIAL CABLE

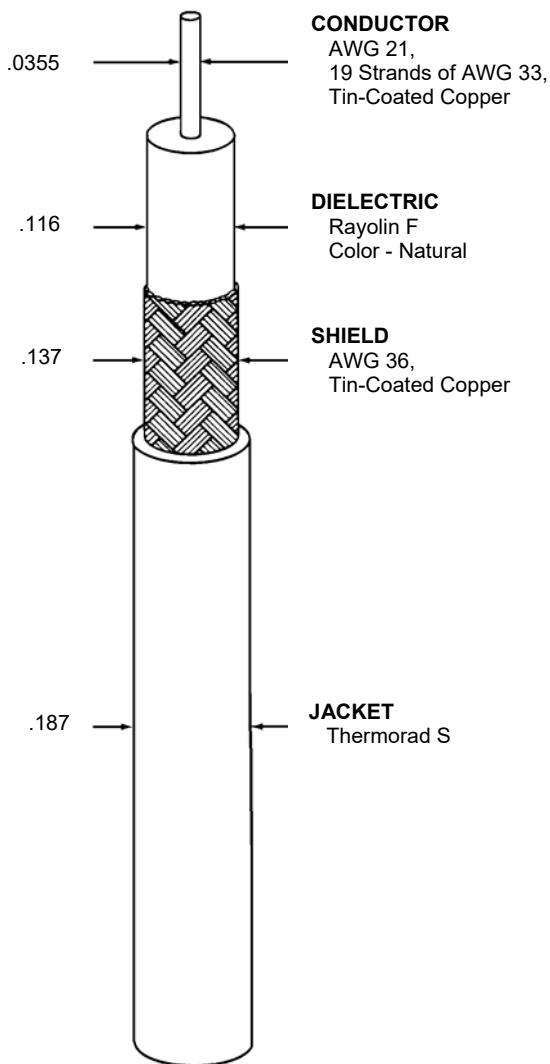
Date: 10-14-19
Revision: D

THIS SPECIFICATION SHEET FORMS A PART OF THE LATEST ISSUE OF RAYCHEM SPECIFICATION 1200.

CONSTRUCTION DETAILS

ELECTRICAL CHARACTERISTICS

DIMENSIONS ARE NOMINAL VALUES IN INCHES, UNLESS OTHERWISE DESIGNATED.



CHARACTERISTIC IMPEDANCE	50 ± 2 ohms, Method A
CAPACITANCE	30.8 pF/ft. (nominal)
VELOCITY OF PROPAGATION	66% (nominal)
ATTENUATION	14.0 dB/100 ft. (maximum) at 400 MHz 50.0 dB/100 ft. (maximum) at 3 GHz

ADDITIONAL REQUIREMENTS

ELECTRICAL	
CONDUCTOR RESISTANCE	11.7 ohms/1000 ft. (nominal)
INSULATION RESISTANCE	10,000 megohms (minimum) for 1000 ft.
JACKET FLAWS	
SPARK TEST	1.0 kV (rms)
IMPULSE TEST	6.0 kV (peak)
VOLTAGE WITHSTAND (DIELECTRIC)	1000 volts (rms) (minimum)
ENVIRONMENTAL	
FLAMMABILITY	Method C
HEAT SHOCK	225°C
LOW TEMPERATURE-COLD BEND	-55°C/5.00 inch mandrel
VOLTAGE WITHSTAND (Post Environmental)	1000 volts (rms), 1 minute
PHYSICAL	
INSULATION (DIELECTRIC)	
ELONGATION	200% (minimum)
TENSILE STRENGTH	1800 lbf/in ² (minimum)
JACKET	
ELONGATION	200% (minimum)
TENSILE STRENGTH	2000 lbf/in ² (minimum)
JACKET THICKNESS	.025 inch (nominal)
SHIELD COVERAGE	90% (minimum)

Designate outer jacket color with a dash number in accordance with MIL-STD-681. Unless otherwise specified, outer jacket color will be black designated by a "-0" appended to the part number, e.g. 5021D1331-0.

Other codes and suffixes may be added to the part number, as necessary, to capture any additional requirements imposed by the purchase order.

WEIGHT 23.1 lbs/1000 ft. (nominal)

ENGINEERING REFERENCE

TEMPERATURE RATING 110°C (maximum)

Users should evaluate the suitability of this product for their application. Specifications are subject to change without notice. TE Connectivity also reserves the right to make changes in materials or processing, which do not affect compliance with any specification, without notification to Buyer.

