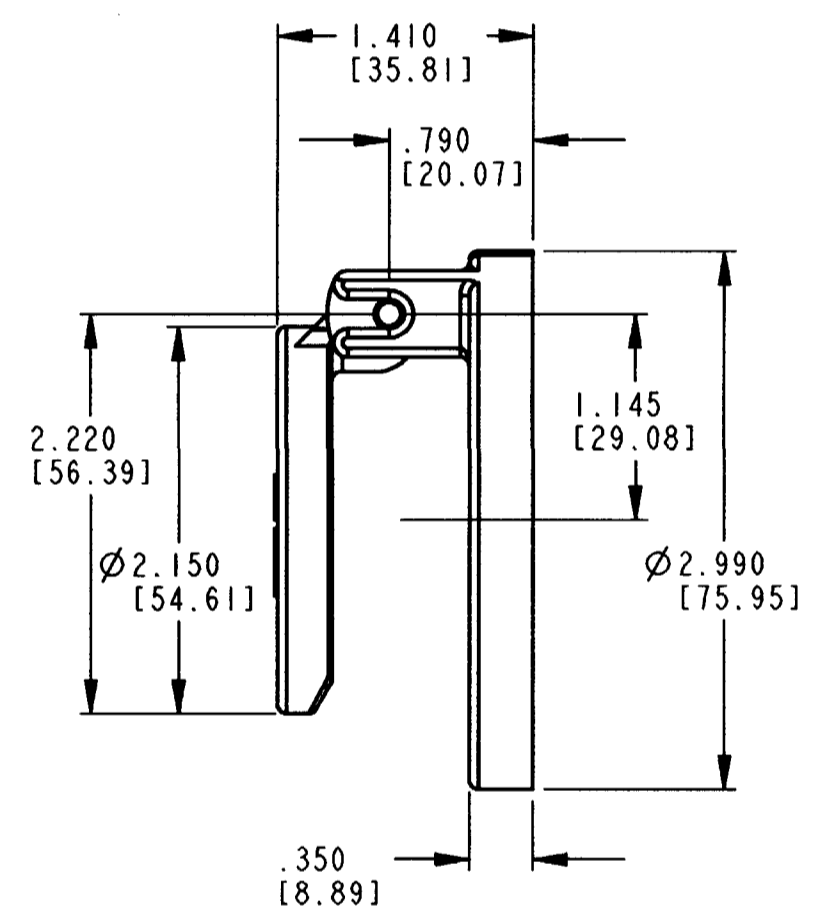


REV A 5004-002-2405

REVISIONS			
SYM	DESCRIPTION	DATE	APPROVED
NC	NEW RELEASE PER E.O. P15008	1-26-96	R.D.R.
A	REVISED PER E.O. P18767	12-6-01	RDR



- 4 THIS SUBASSEMBLY IS DESIGNED TO BE MOUNTED ON DEUTSCH 5011-001-0005 BOX HOUSING. 5 SELF THREADING SCREWS >PLASTITE< #8-16 x .750 LG ARE INCLUDED. ANY OTHER SIMILAR SCREWS ARE NOT RECOMMENDED.
- 3 CONSULT FACTORY FOR MATERIAL SPECIFICATION.
- 2 TOLERANCES: LOCATION OF HOLES = ±.005 [.13]
- NOTES: 1 DIMENSIONS ARE IN INCHES [METRIC].

SIGNATURE & DATE	
DR	V. TOMSA JAN-19-96
CHK	B. Byford 12/3/04
PE	R. Meehan 12/1/04
APPD	S. Beard 12-3-04
SCALE	NONE
WT	WT

DUST CAP
SUBASSEMBLY
HDBOX SERIES
SPARE PART

ENVELOPE

CP	MATL. CODE
The Deutsch Company DEUTSCH I.P.D. 3850 INDUSTRIAL AVE. HEMET, CALIF. 92545	
B 5004-002-2405	
DWG SIZE	CODE 11139 SHEET OF