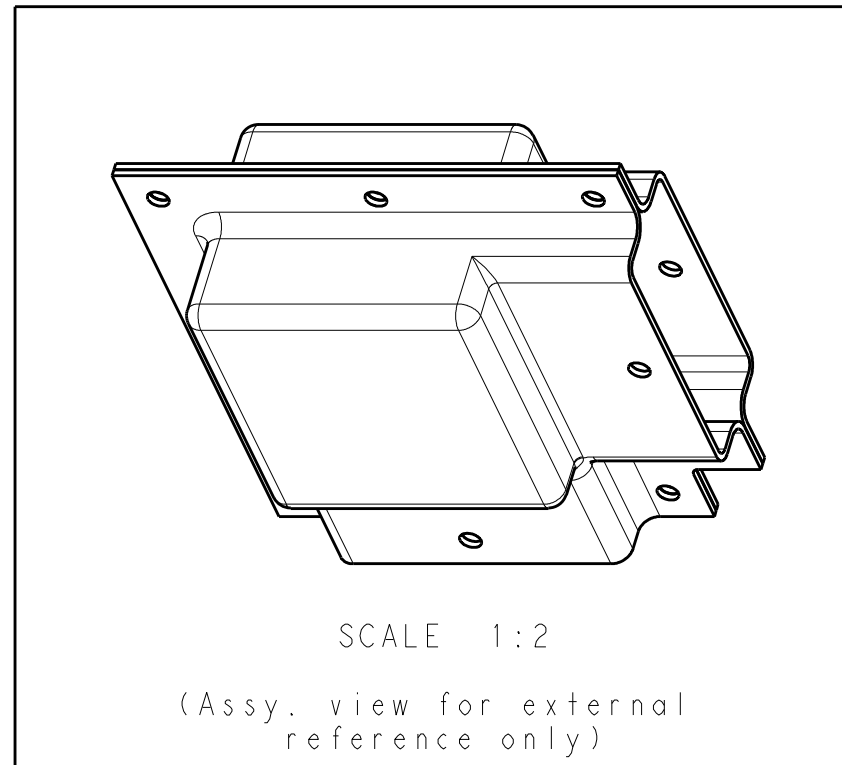
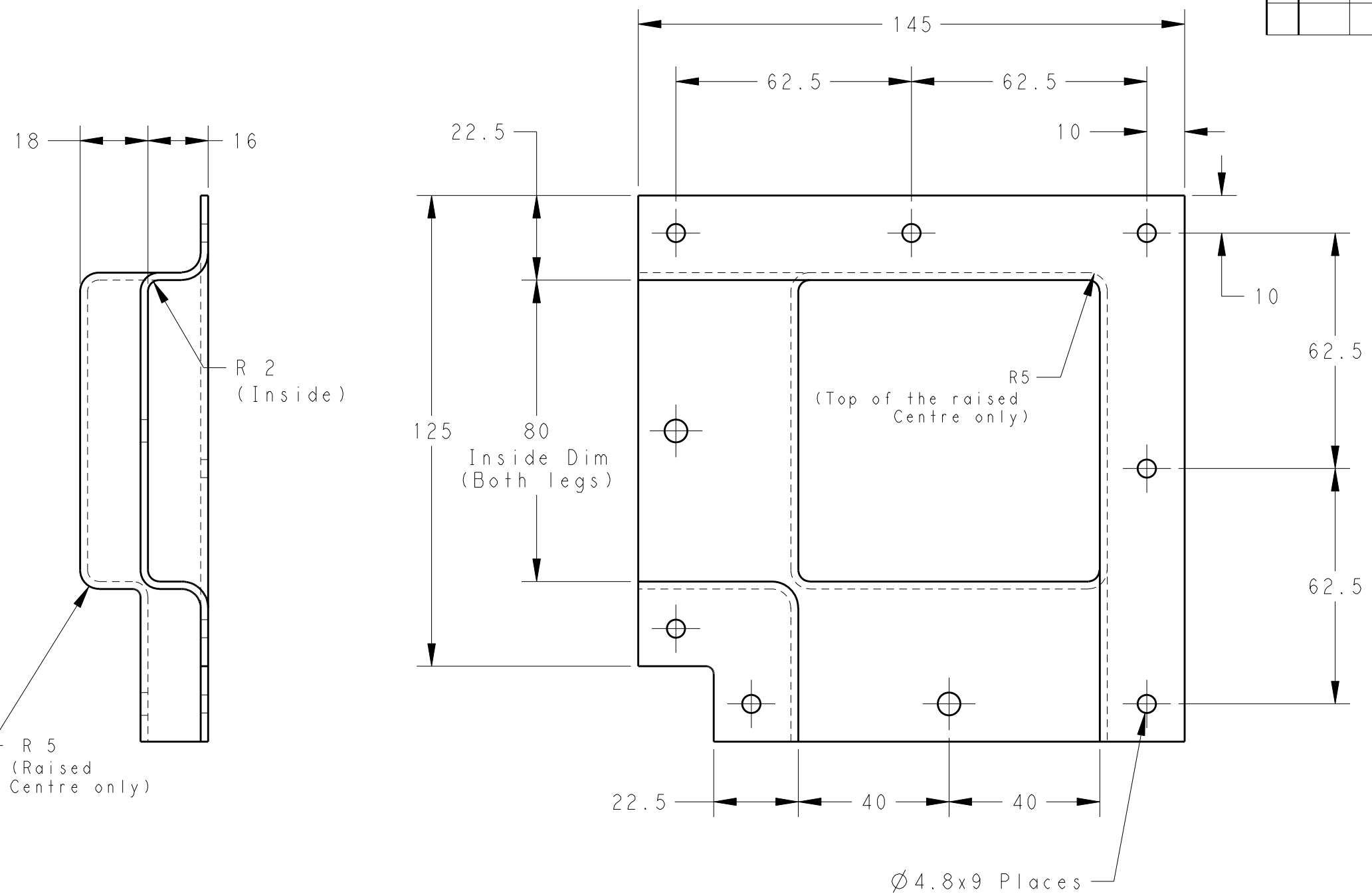



THIS DRAWING IS UNPUBLISHED. RELEASED FOR PUBLICATION 20  
 © COPYRIGHT 20 BY TYCO ELECTRONICS CORPORATION ALL RIGHTS RESERVED.

LOC	DIST	REVISIONS			
P	LTR	DESCRIPTION	DATE	DWN	APVD
-	-	A	04SEP2012	V.P	I.B



THIS DRAWING IS A CONTROLLED DOCUMENT.		DWN Vishnu 27JUN2012	 TE Connectivity	
DIMENSIONS: mm		CHK I.Bond 27JUN2012		
TOLERANCES UNLESS OTHERWISE SPECIFIED:		APVD I.Bond 27JUN2012	NAME BMOD-LV-075-L11-01(B12)	
<del>           6 PLC ±            1 PLC ±0.5            2 PLC ±0.13            3 PLC ±0.013            4 PLC ±0.0001            ANGLES ±         </del>		PRODUCT SPEC -	RESTRICTED TO -	
MATERIAL -		APPLICATION SPEC -	SIZE A3	CAGE CODE 00779
FINISH -		WEIGHT -	DRAWING NO C-5-1899738-9	
		CUSTOMER DRAWING	SCALE 1:1	SHEET 1 OF 2
				REV A

THIS DRAWING IS UNPUBLISHED.

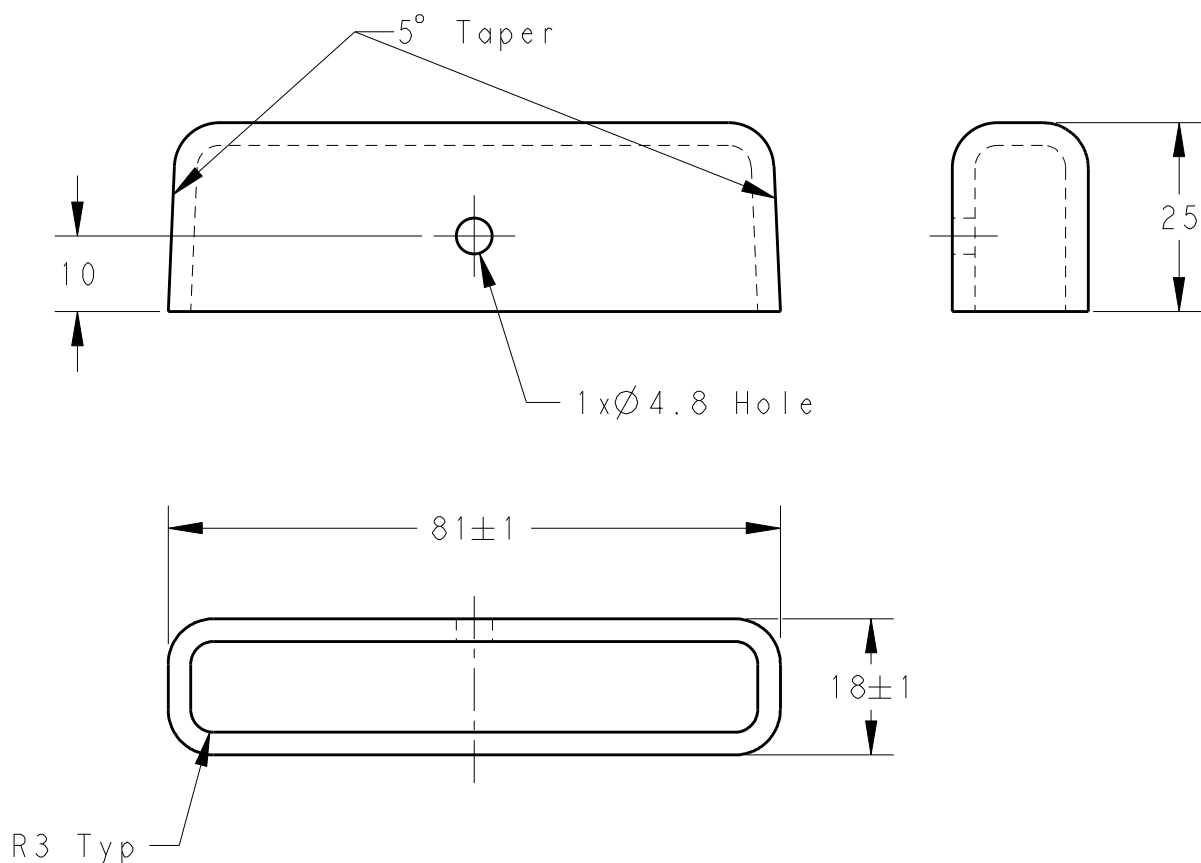
RELEASED FOR PUBLICATION

20

© COPYRIGHT 20 BY TYCO ELECTRONICS CORPORATION ALL RIGHTS RESERVED.

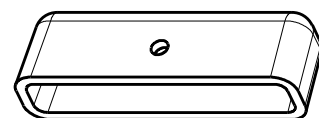
LOC	DIST	REVISIONS			
P	LTR	DESCRIPTION	DATE	DWN	APVD
-	-	SEE SHEET 1	-	-	-

# PLUG PIECE:



## NOTES:

1. Parts shall be kitted 24pcs per box, 12 pairs of covers
2. Parts shall be supplied in the open position
3. Parts shall be kitted with 9 x LVIC-RIV-TS555 PCN: 319851-000, or with Raysulate equivalent part, per pair of covers.
4. 2 x Plugs to be kitted per pair of covers
5. Parts shall be kitted with Installation Instruction: ESD-6065-6/12 per box.

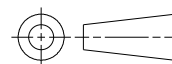


SCALE 1:2

(Isometric view for external reference only)

THIS DRAWING IS A CONTROLLED DOCUMENT.

DIMENSIONS:  
mm



TOLERANCES UNLESS OTHERWISE SPECIFIED:

0 PLC	±
1 PLC	±0.5
2 PLC	±0.13
3 PLC	±0.013
4 PLC	±0.0001
ANGLES	±

MATERIAL

FINISH

DWN 27JUN2012

Vishnu

CHK 27JUN2012

I. Bond

APVD 27JUN2012

I. Bond

PRODUCT SPEC

APPLICATION SPEC

WEIGHT

CUSTOMER DRAWING

		TE Connectivity	
		NAME	
BMOD-LV-075-L11-01(B12)		SIZE	CAGE CODE
-		DRAWING NO	
-		RESTRICTED TO	
A300779		G-5-1899738-9	
SCALE 1:1		SHEET 2 OF 2	REV A