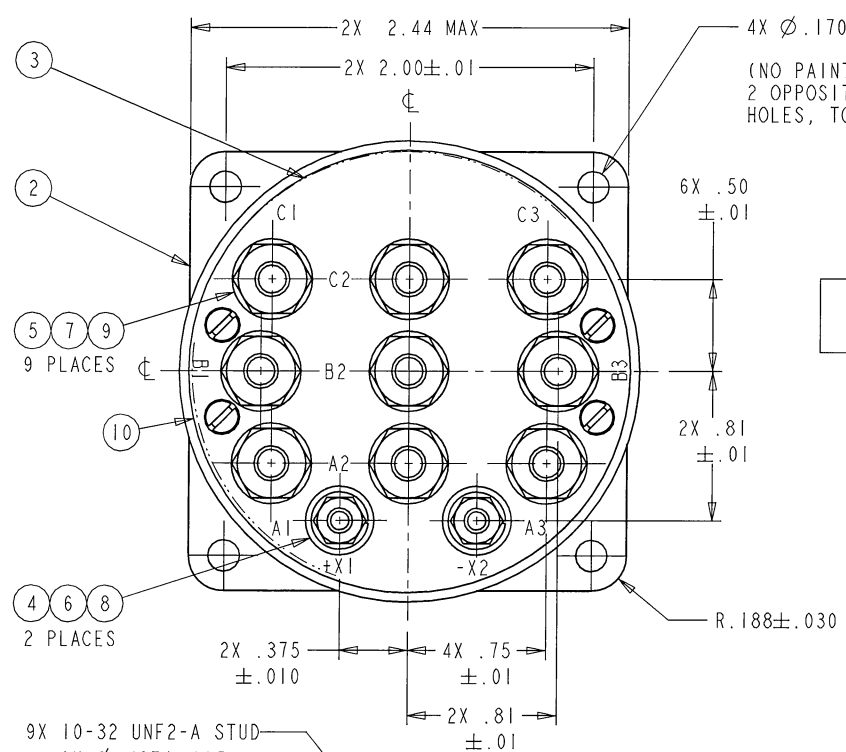


D7CF

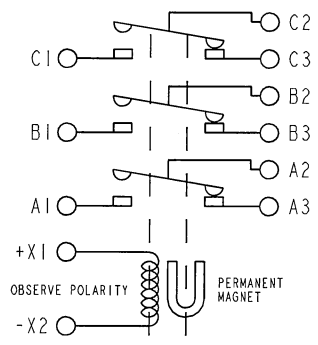
REV. B

REV. NO.		DESCRIPTION	RELEASED DATE	APPROVED
A	14-006972	RELEASE TO PRODUCTION	14-05-09	DAW
B	14-017267	10-32 TORQUE WAS 19.8 TO 24.2	14-11-14	DAW
C	15-005578	ADD ITEN 10, HS LABEL	15-04-10	ACH

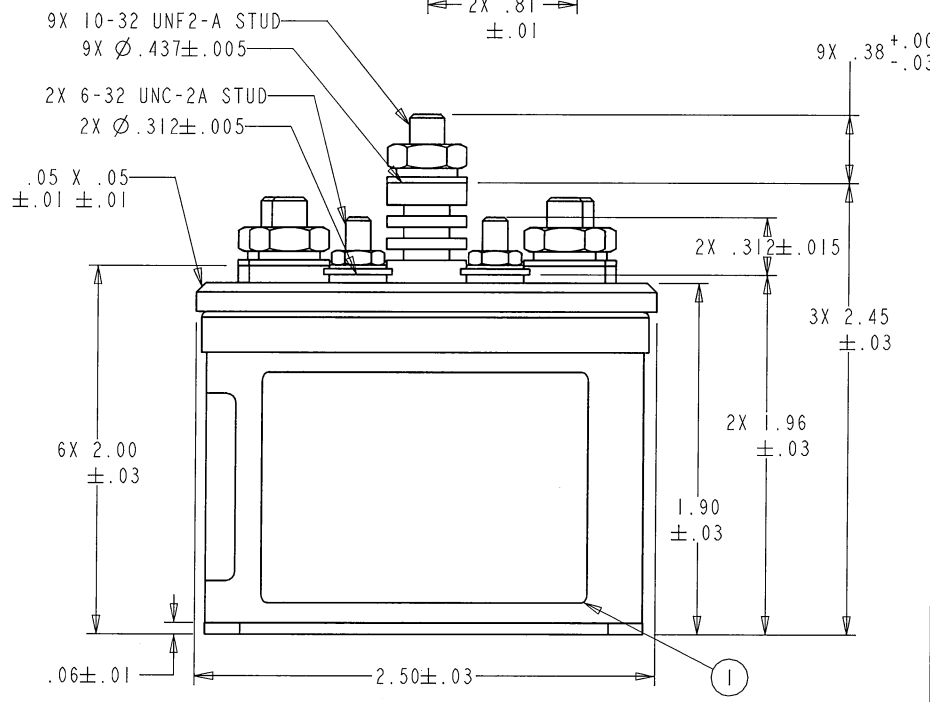


(NO PAINT ON EITHER OF 2 OPPOSITE MOUNTING HOLES, TOP AND BOTTOM)

INSTALLATION TORQUE
 6-32 = 5.4 TO 6.6 IN-LBS
 10-32 = 18.0 TO 20.0 IN-LBS



CONSTRUCTION GASKET SEALED
 CONFIGURATION 3PDT
 CONTACT RATING 245 A, 28 VDC CARRY ONLY
 INTERMITTENT DUTY
 30 SEC PER THROW, THEN 5 MIN OFF
 COIL RATING 28 VDC / 126 OHMS ± 10%
 MIN OPER AMBIENT TEMP -55° C
 MAX OPER AMBIENT TEMP +85° C
 ELECTRICAL LIFE 30,000 CYCLES
 WEIGHT 14 OZ MAX



FIND NO	QTY REQD	PART OR IDENTIFYING NO	NOMENCLATURE OR DESCRIPTION	DRAWING OR SPECIFICATION	FSCM NO	TE PART NO	MATERIAL OR NOTE
10	1	55820SOCN	HS LABEL				3-1616995-6
9	9	51810-054	LOCKWASHER, #10 SPLIT				9-1616360-2 BRONZE
8	2	51806-014	WASHER LOCK #6 SPLIT				1616360-7 BRONZE
7	9	51712-194	WASHER 7/16 .203-ID .031-TK				2-1616359-6
6	2	51702-204	WASHER 3/8 X 9/64 X .032				1-1616358-9
5	9	50410-084	NUT 10-32 X 3/8 X 1/8 HEX				1616339-7
4	2	50406-034	NUT 6-32 X 1/4 X 3/32 HEX				5-1616337-3 BRASS
3	1	48251-001	PLATE - WIRING DIAGRAM				1-1616978-6
2	1	28497-130	PRIMARY ASSEMBLY				5-1616982-5
1	1	16043-001	PLATE - NAME				3-1616169-5

UNLESS OTHERWISE SPECIFIED DIMENSIONS ARE IN INCHES TOLERANCES ON	2 PL DEC. 3 PL DEC. 1 ANGLES		CONFIGURATION CONTROLLED HAMILTON SUNDSTRAND EP 4953087	 Hartman Division 175 N. DIAMOND STREET MANSFIELD, OHIO 44902
	±.06	±.010		
DR BY DAW 12-08-17 CHK BY MDM 14-05-09 ENGR DAW 12-08-17 MFG DWA 14-05-09			3PDT STARTER CONTACTOR	
SIZE A		CODE IDENT 74063	DWG NO. D7CF	
SCALE 1:1		SHEET 1 OF 1	REF TE PN 5-1616982-4	