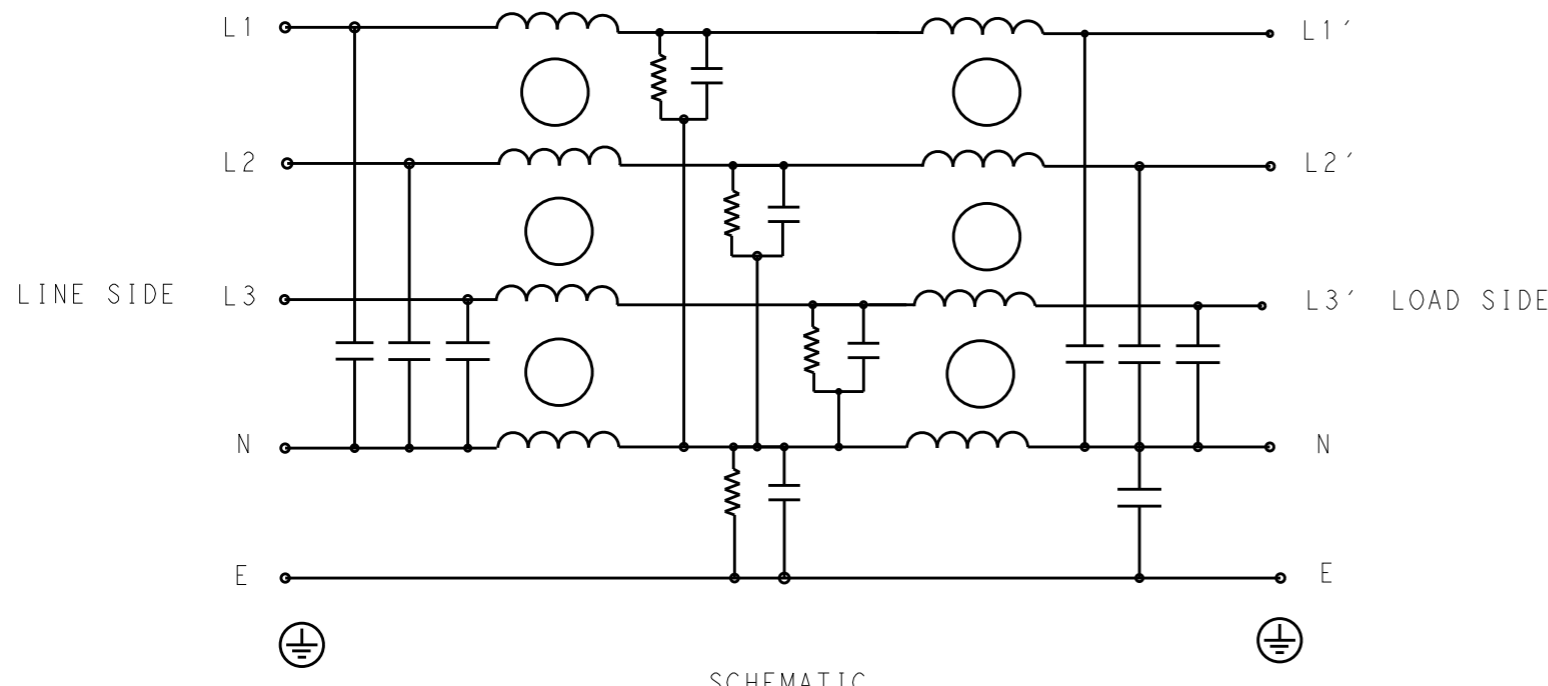


REVISIONS

P	LTR	DESCRIPTION	DATE	DWN	APVD
	B	INITIAL RELEASE	08JUL2020	SB	LI



SCHEMATIC

SAFETY ORGANIZATIONS
 THIS FILTER WILL BE FORMALLY RECOGNIZED, CERTIFIED OR APPROVED BY THE LISTED AGENCY. THEREFORE, ALL TEST/REQUIREMENTS SPECIFIED IN THE LATEST REVISION OF THE FOLLOWING AGENCY STANDARDS WILL BE MET:

UL RECOGNIZED* 100A 520V 50Hz/60Hz 50°C
 CSA CERTIFIED** 100A 520V 50Hz/60Hz 50°C
 *31 JULY 2020 ; **31 AUGUST 2020

OPERATING SPECIFICATION
 LINE CURRENT/VOLTAGE: 100A, 520VAC
 LINE FREQUENCY: 50/60Hz
 MAXIMUM LEAKAGE CURRENT: 11mA @ 230VAC, 50Hz
 OPERATING AMBIENT TEMPERATURE RANGE @ RATED CURRENT: -10°C TO +50°C
 IN AN AMBIENT, T_a, HIGHER THAN 50°C, THE MAXIMUM OPERATING CURRENT, I_o, IS AS FOLLOWS:

$$I_o = I_r \sqrt{\frac{105 - T_a}{55}}$$

RELIABILITY SPECIFICATIONS
 STORAGE TEMPERATURE: -40°C TO +85°C
 HUMIDITY: 21 DAYS @ 40°C AND 95% RH

TEST SPECIFICATIONS
 INDUCTANCE, NOMINAL: 0.2mH

CAPACITANCE @ 1kHz
 NEUTRAL TO GROUND, NOMINAL: 2.2µF
 LINE TO NEUTRAL, NOMINAL: 6.6µF

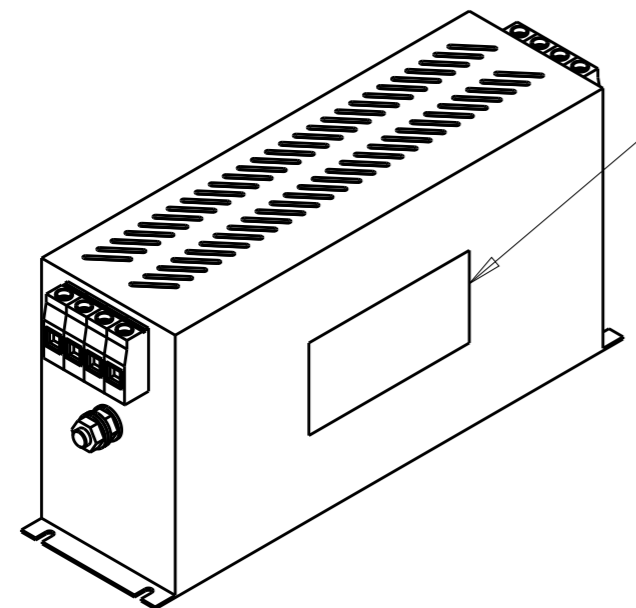
DISCHARGE RESISTOR
 L/L I.R. 2MΩ 2W
 L/N I.R. 1.5MΩ 2W
 L/G I.R. 2MΩ 2W
 N/G I.R. 680KΩ 2W
 IR (NO DISCHARGE RESISTOR) 20°C, 50% RH AND 100VDC, MIN: 6MΩ

RECOMMENDED RECEIVING INSPECITON HIPOI
 LINE TO GROUND FOR 1 MINUTE: 2856VDC
 LINE TO LINE FOR 1 MINUTE: 2236VDC
 LINE TO NEUTRAL FOR 1 MINUTE: 1290VDC


FILTER APPROVAL
 THE BEST WAY TO SELECT AND QUALIFY A FILTER IS FOR YOUR ENGINEERING TO TEST THE UNIT IN YOUR EQUIPMENT.

TYPICAL INSERTION LOSS
COMMON MODE 50/50Ω; DIFFERENTIAL MODE 50/50Ω

MHz	0.01	0.05	0.15	0.5	1	3	5	10	30
CM	40	37	42	32	36	48	50	46	20
DM	45	40	50	25	32	50	47	32	22



LABEL TO TE MARKING SPECIFICATION

THIS DRAWING IS A CONTROLLED DOCUMENT.		DWN 20FEB2020 SHRICARANA B		 TE Connectivity	
DIMENSIONS: mm		CHK 20FEB2020 LEO IRUDHAYARAJ			
TOLERANCES UNLESS OTHERWISE SPECIFIED:		APVD 20FEB2020 LEO IRUDHAYARAJ		NAME POWER LINE FILTER 100KEVD10BBSW	
0 PLC ±-		PRODUCT SPEC		SIZE	
1 PLC ±0.5		APPLICATION SPEC		CAGE CODE	
2 PLC ±0.40		WEIGHT		DRAWING NO	
3 PLC ±0.130		CUSTOMER DRAWING		RESTRICTED TO	
4 PLC ±0.0500		SCALE 1:4		SHEET 1 OF 2	
ANGLES ±-		SHEET 1 OF 2		REV B	
MATERIAL		FINISH		DRAWING NO A300779 C-5-1609998-6	

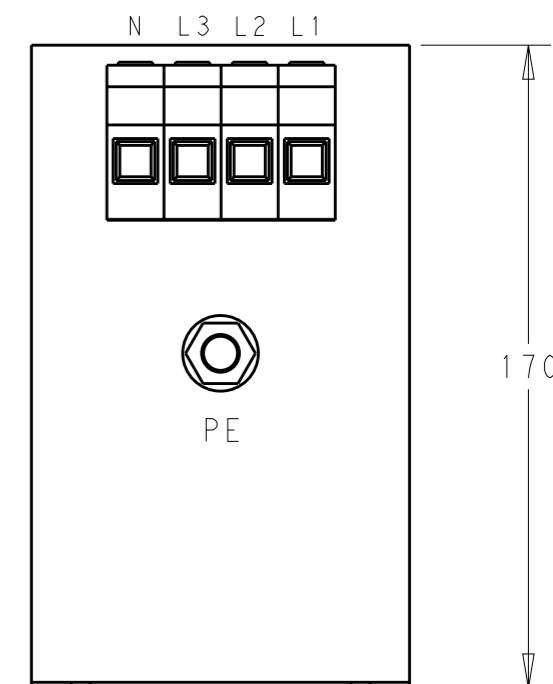
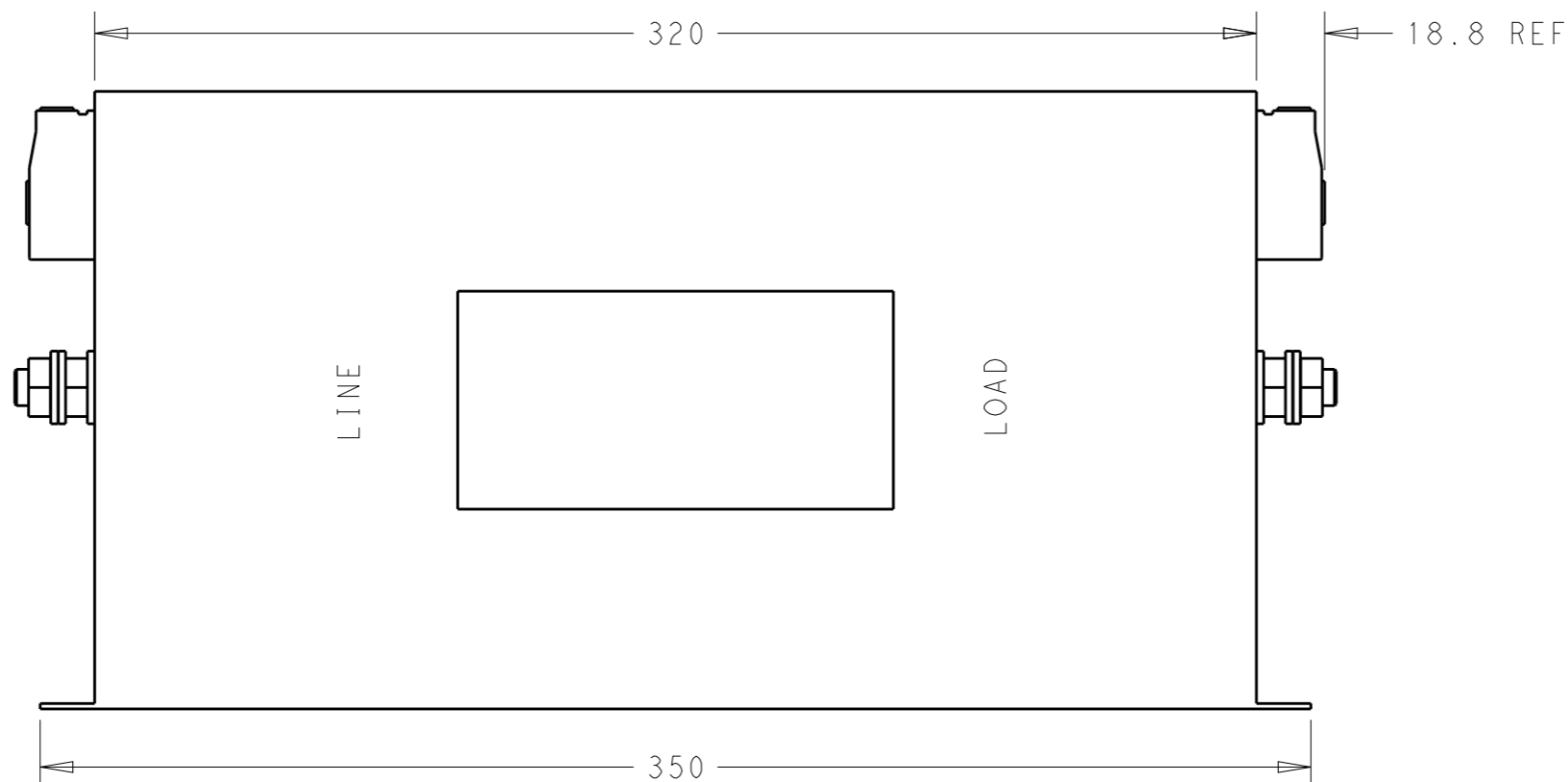
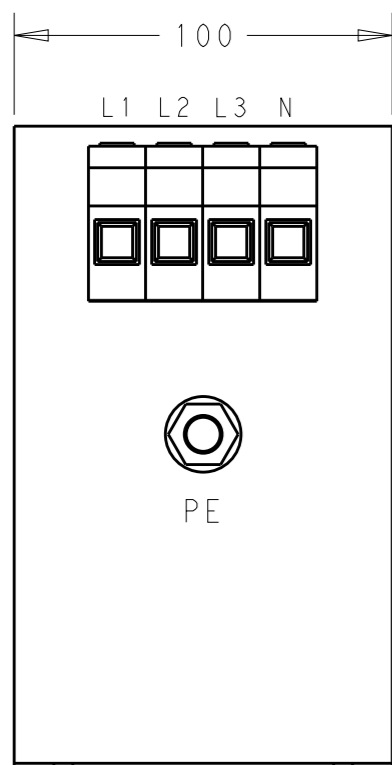
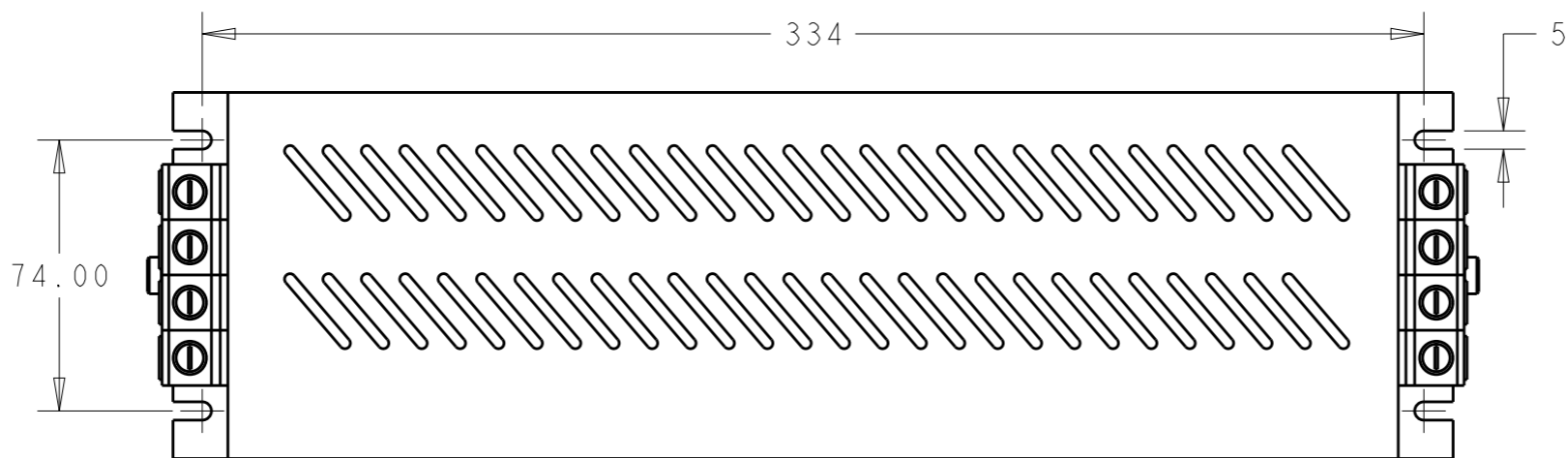
© 2020 TE Connectivity. All Rights Reserved.

REVISIONS

NOTE 1 GROUND CONNECTION:
 DO NOT LOOSEN INNER GROUND NUTS.
 TORQUE OUTER TERMINAL SCREWS: 2 Nm / 18 in.lbs
 TORQUE GROUND NUTS: 4-10Nm

NOTE 2 INPUT OUTPUT CONNECTION TERMINAL
 AWG SIZE: 8-4 AWG
 WIRE SECTION: 25mm²
 THREADED BOLT SIZE FOR GROUND: M10

P	LTR	DESCRIPTION	DATE	DWN	APVD
		SEE SHEET 1			



THIS DRAWING IS A CONTROLLED DOCUMENT.		DWN SHRICHARANA B 20FEB2020														
DIMENSIONS: mm		CHK LEO IRUDHAYARAJ 20FEB2020														
TOLERANCES UNLESS OTHERWISE SPECIFIED:		APVD LEO IRUDHAYARAJ 20FEB2020	NAME POWER LINE FILTER 100KEVD10BBSW													
<table border="1"> <tr><td>0 PLC</td><td>±0.5</td></tr> <tr><td>1 PLC</td><td>±0.40</td></tr> <tr><td>2 PLC</td><td>±0.130</td></tr> <tr><td>3 PLC</td><td>±0.0500</td></tr> <tr><td>4 PLC</td><td>±</td></tr> <tr><td>ANGLES</td><td>±</td></tr> </table>		0 PLC	±0.5	1 PLC	±0.40	2 PLC	±0.130	3 PLC	±0.0500	4 PLC	±	ANGLES	±	PRODUCT SPEC -	RESTRICTED TO -	
0 PLC	±0.5															
1 PLC	±0.40															
2 PLC	±0.130															
3 PLC	±0.0500															
4 PLC	±															
ANGLES	±															
MATERIAL -		APPLICATION SPEC -	SIZE A3	CAGE CODE 00779	DRAWING NO G-5-1609998-6											
FINISH -		WEIGHT -	SCALE 1:2													
		CUSTOMER DRAWING	SHEET 2	OF 2	REV B											