

THIS DRAWING IS UNPUBLISHED. RELEASED FOR PUBLICATION 2009
 © COPYRIGHT 2009 BY TYCO ELECTRONICS CORPORATION. ALL RIGHTS RESERVED.

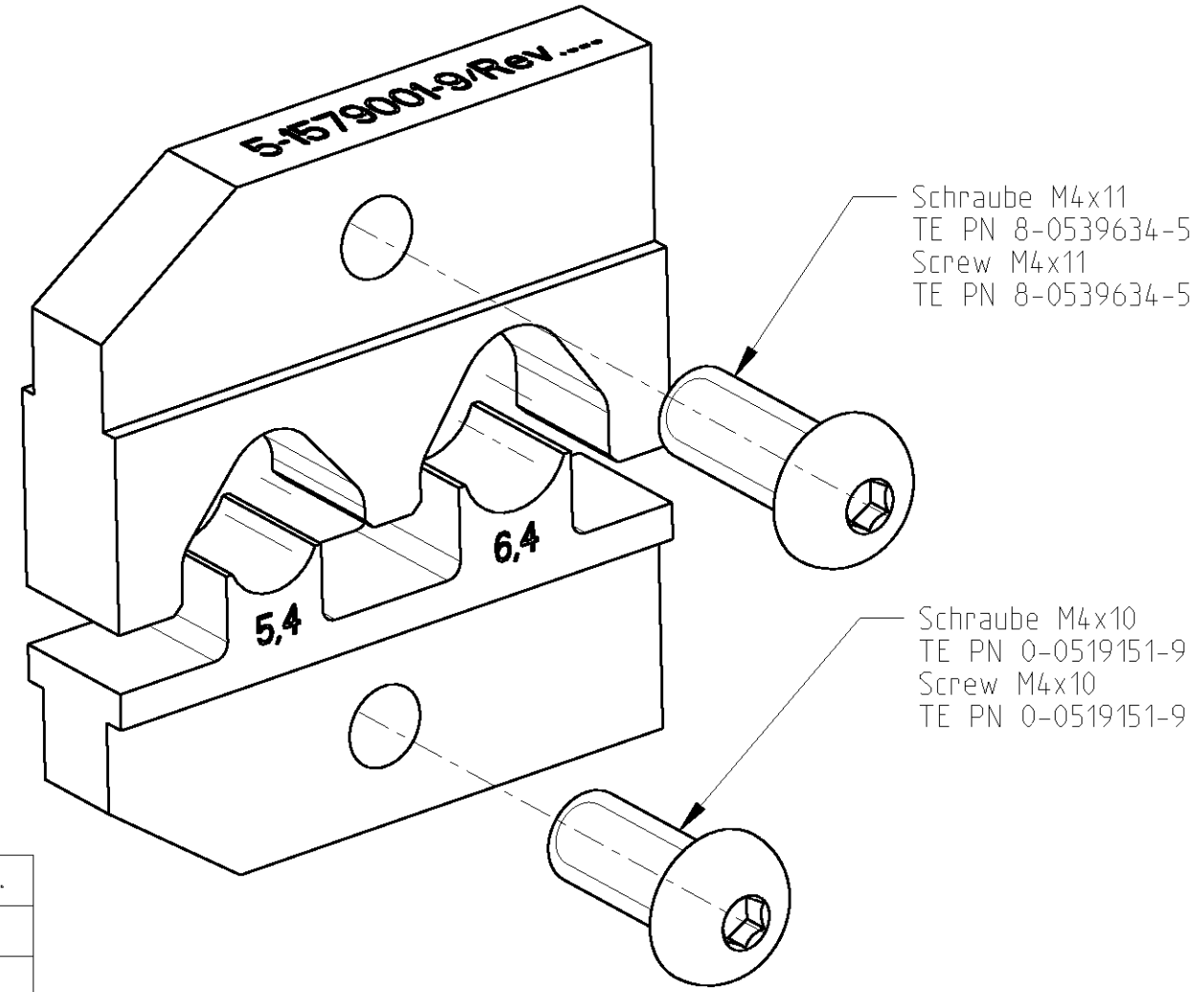
LOC	DIST	REVISIONS				
P	LTR	DESCRIPTION	DATE	DWN	APVD	
A1	-	A	INITIAL RELEASE	24SEP2009	wi	wi

DIE SET - SCREENING SHEETS

16 x 0,06 mm² AND 14 x 0,14 mm²

Matrize in Kombination mit Ergocrimp Basishandzange PN 539635-1 verwenden
 Use die in combination with Ergocrimp basis hand tool PN 539635-1

Matrize im Karton mit Bedienungsanleitung 411-18298 verpackt
 Die packed in a cardboard with instruction sheet 411-18298



Kontakt	DGB (mm ²)	Leitung	Isolationscrimp/Insulation crimp		Isol.Ø	Betriebsanl.
Contact	Wire Range	Cable	Hoehe/Height mm	Breite/Width mm	Ins.Range	Instr.Sheet
1534142 / 1534143	16x0.06	SN 52244/Teil 8	5.4 ±0.15	5.4 ±0.15	4.4 mm	411-18298
	14x0.14	SN 52244/Teil 7	6.4 ±0.15	6.4 ±0.15	6.1 mm	

<small>THIS DRAWING IS A CONTROLLED DOCUMENT FOR TYCO ELECTRONICS CORPORATION IT IS SUBJECT TO CHANGE AND THE CONTROLLING ENGINEERING ORGANIZATION SHOULD BE CONTACTED FOR THE LATEST REVISION.</small>		DWN C.Witt	23SEP2009	Tyco Electronics AMP GmbH 64625 Bensheim (Germany)	
DIMENSIONS: mm 		TOLERANCES UNLESS OTHERWISE SPECIFIED: 0 PLC ± 1 PLC ± 2 PLC ± 3 PLC ± 4 PLC ± ANGLES ±1°		NAME SCREENING SHEET DIE SET	
MATERIAL -		FINISH -		PRODUCT SPEC - APPLICATION SPEC - WEIGHT 200 g	SIZE A3 CAGE CODE 00779 DRAWING NO C-5-1579001-9 RESTRICTED TO -
CUSTOMER DRAWING				SCALE 5:1	SHEET 1 OF 1 REV A