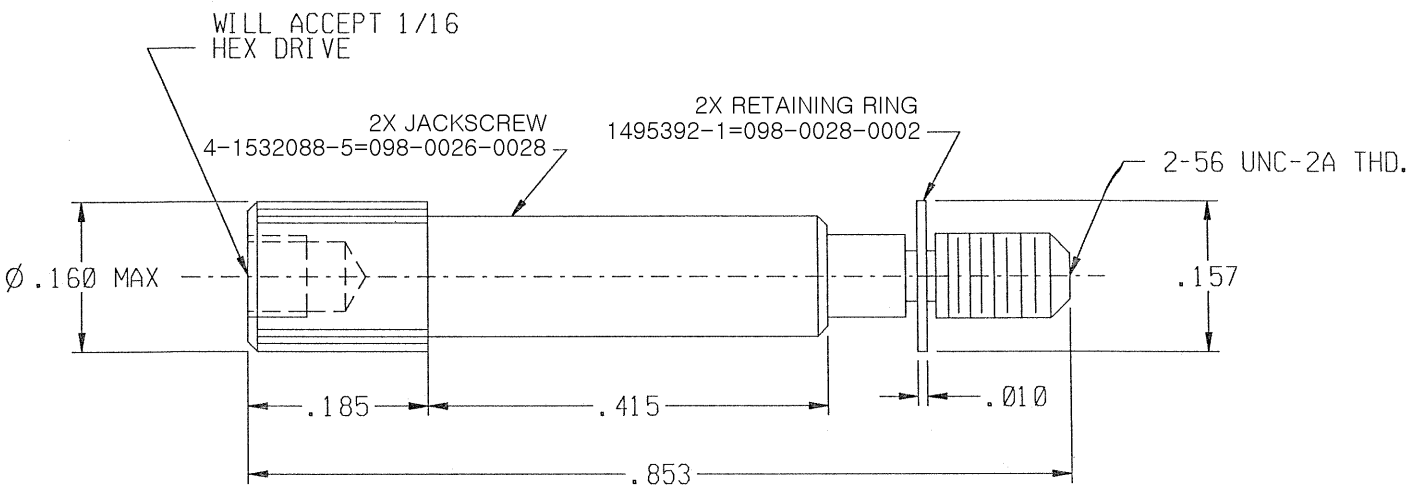


THIS DRAWING IS UNPUBLISHED. RELEASED FOR PUBLICATION
 © COPYRIGHT - By - ALL RIGHTS RESERVED.

LOC		DIST		REVISIONS			
P	LTR	DESCRIPTION		DATE	DWN	APVD	
	A	DRAWING RELEASE		07DEC2011	CEP	CEP	



NOTES:

- PARTS TO BE PACKAGED LOOSE AND NOT ASSEMBLED.

THIS DRAWING IS A CONTROLLED DOCUMENT.		DWN CRAIG PREVOST 06DEC2011	STE TE Connectivity	
		CHR CRAIG PREVOST 07DEC2011		
DIMENSIONS: INCHES		APVD CRAIG PREVOST 07DEC2011	NAME M83513/05-03 HARDWARE KIT (2-56 UNC) JACKSCREW ASSEMBLY, HIGH PROFILE, ALLEN HEAD S96-0002-0086 (QM)	
TOLERANCES UNLESS OTHERWISE SPECIFIED: 0 PLC ± - 1 PLC ± - 2 PLC ± - 3 PLC ± - 4 PLC ± - ANGLES ± -		PRODUCT SPEC -	RESTRICTED TO -	
MATERIAL -		FINISH -	APPLICATION SPEC -	SIZE A3
		WEIGHT -	CAGE CODE 98278	DRAWING NO 5-1532137-6
		CUSTOMER DRAWING	SCALE N/A	SHEET 1 OF 1
			REV A	