

THIS DRAWING IS UNPUBLISHED. RELEASED FOR PUBLICATION  
 © COPYRIGHT - By - ALL RIGHTS RESERVED.

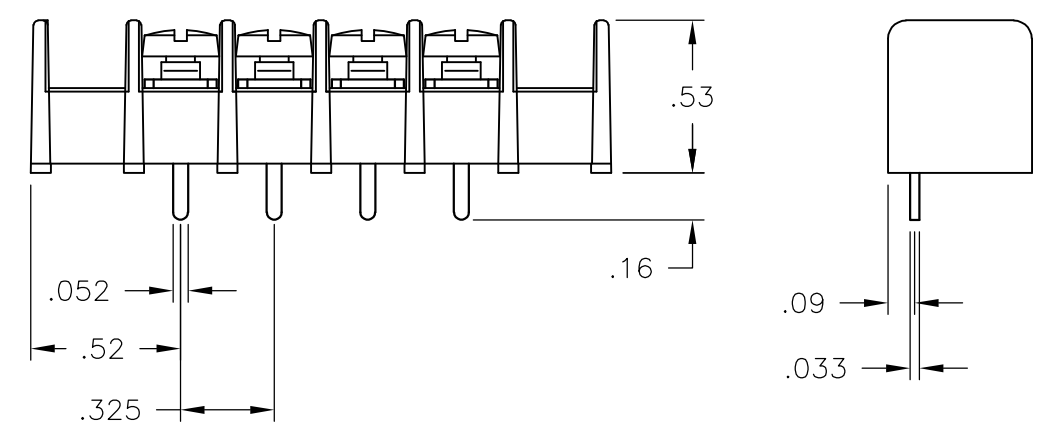
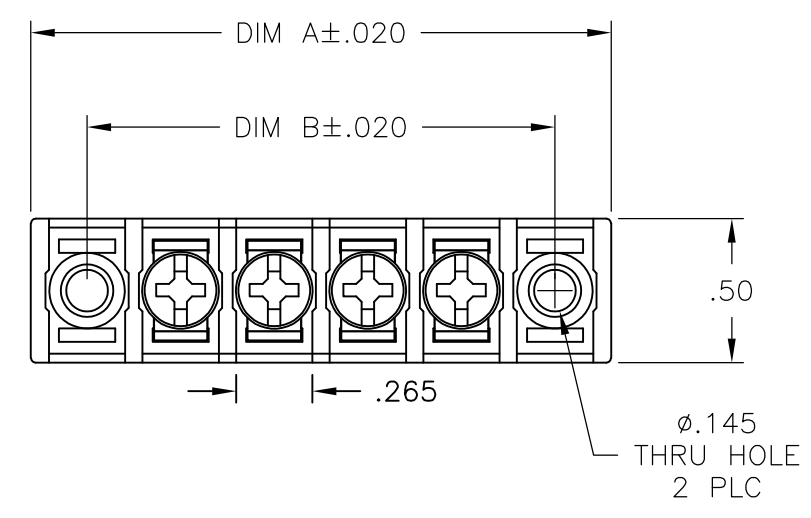
LOC FT	DIST 0	REVISIONS			
P	LTR	DESCRIPTION	DATE	DWN	APVD
	B1	OBSOLETE PART NUMBERS 15 POSITION AND ABOVE	09APR2015	CR	PS

**MATERIALS:**  
 HOUSING: THERMOPLASTIC PA, UL94V-0, BLACK.  
 TERMINALS: BRIGHT TIN PLATED, COPPER ALLOY.  
 SCREWS: 6-32, STEEL, ZINC PLATED W/ CLEAR CHROMATE.

**ELECTRICAL:**  
 UL CLASS C: 20A, 150V.  
 UL CLASS D: 10A, 300V.  
 CSA TYPE B: 20A, 300V.  
 CSA TYPE C: 20A, 300V.  
 CSA TYPE D: 10A, 300V.  
 CSA TYPE E: 20A, 300V.  
 WIRE RANGE: 12-22 AWG

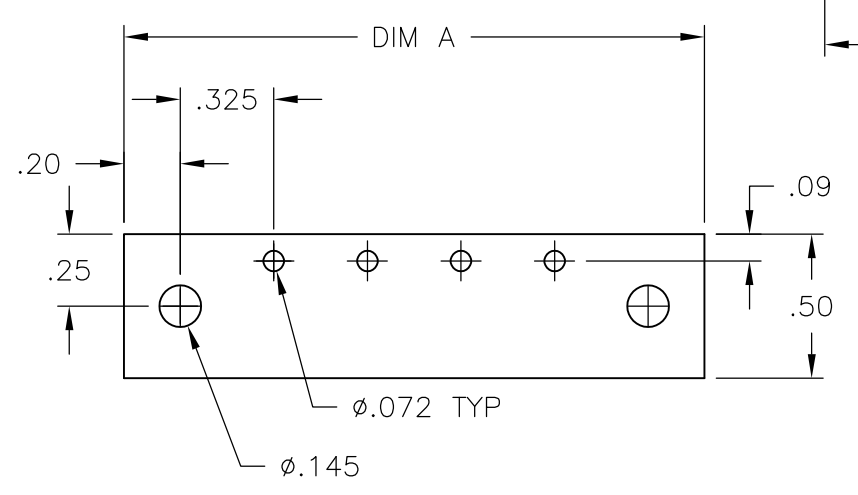
**MECHANICAL:**  
 OPERATING TEMP.: -40° TO +105°C  
 RECOMMENDED TIGHTENING TORQUE: 7 IN-LBS.

OBSOLETE PARTS.



	9.425	9.815	28	4DB-P207-28	<del>2-1546465-8</del>
	9.100	9.490	27	4DB-P207-27	<del>2-1546465-7</del>
	8.775	9.165	26	4DB-P207-26	<del>2-1546465-6</del>
	8.450	8.840	25	4DB-P207-25	<del>2-1546465-5</del>
	8.125	8.515	24	4DB-P207-24	<del>2-1546465-4</del>
	7.800	8.190	23	4DB-P207-23	<del>2-1546465-3</del>
	7.475	7.865	22	4DB-P207-22	<del>2-1546465-2</del>
	7.150	7.540	21	4DB-P207-21	<del>2-1546465-1</del>
	6.825	7.215	20	4DB-P207-20	<del>2-1546465-0</del>
	6.500	6.890	19	4DB-P207-19	<del>1-1546465-9</del>
	6.175	6.565	18	4DB-P207-18	<del>1-1546465-8</del>
	5.850	6.240	17	4DB-P207-17	<del>1-1546465-7</del>
	5.525	5.915	16	4DB-P207-16	<del>1-1546465-6</del>
	5.200	5.590	15	4DB-P207-15	<del>1-1546465-5</del>
	4.875	5.265	14	4DB-P207-14	1-796658-0
	4.550	4.940	13	4DB-P207-13	1-1546465-3
	4.225	4.615	12	4DB-P207-12	1-1546465-2
	3.900	4.290	11	4DB-P207-11	1-1546465-1
	3.575	3.965	10	4DB-P207-10	1-1546465-0
	3.250	3.640	9	4DB-P207-09	1546465-9
	2.925	3.315	8	4DB-P207-08	1546465-8
	2.600	2.990	7	4DB-P207-07	1546465-7
	2.275	2.665	6	4DB-P207-06	5-1437667-9
	1.950	2.340	5	4DB-P207-05	5-1437667-8
	1.625	2.015	4	4DB-P207-04	5-1437667-7
	1.300	1.690	3	4DB-P207-03	5-1437667-6
	.975	1.365	2	4DB-P207-02	1546465-2

DIM B	DIM A	NO OF POS	CATALOG NUMBER	TE PART NO.
-------	-------	-----------	----------------	-------------



RECOMMENDED PCB LAYOUT

THIS DRAWING IS A CONTROLLED DOCUMENT.		DWN S SCHLEGEL 10/20/06	TE Connectivity			
DIMENSIONS: INCHES		CHK S YODER 10/20/06				
TOLERANCES UNLESS OTHERWISE SPECIFIED:		APVD S YODER 10/20/06	NAME			
0 PLC ± - 1 PLC ± - 2 PLC ± .01 3 PLC ± .005 4 PLC ± - ANGLES ± 2°		PRODUCT SPEC	4DB SERIES P207 STYLE			
MATERIAL		APPLICATION SPEC	SIZE	CAGE CODE	DRAWING NO	RESTRICTED TO
FINISH		WEIGHT	A3	00779	C-5-1437667-6	-
CUSTOMER DRAWING			SCALE	SHEET	REV	
			NTS	1 OF 1	B1	