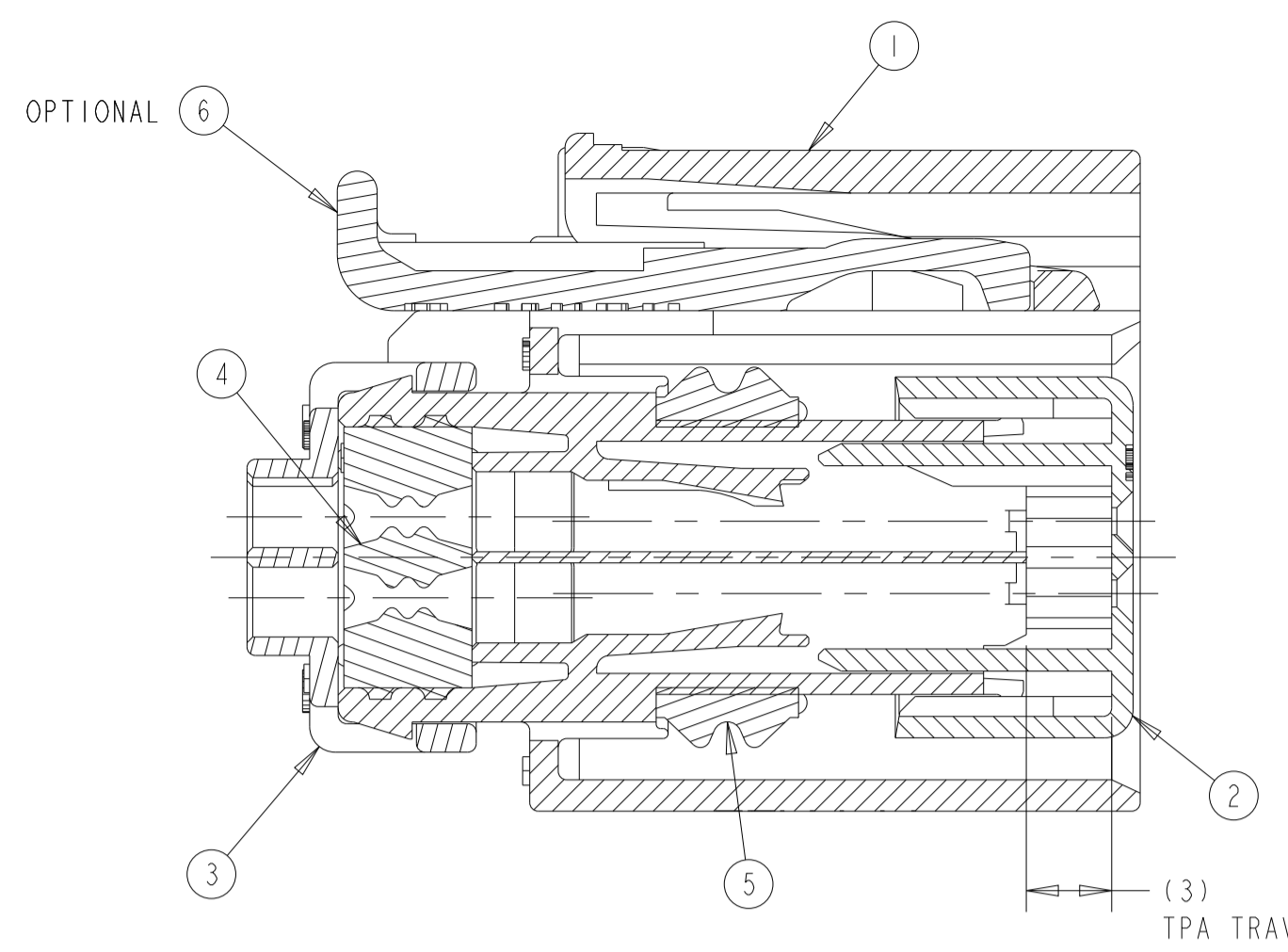


REVISIONS					
P	LTN	DESCRIPTION	DATE	DWN	APVD
K1		REV PER ECR-10-012906	24JUL2010	YSS	DZ
K2		REVISED PER ECO-20-012415	10SEP2020	AP	CM
K3		REVISED PER ECN-21-127285	16DEC2021	SMR	CM
K4		REVISED PER ECN-22-162096	15JUL2022	SMR	CM



SECTION A-A  
SHOWN WITH TPA  
AND CPA (OPTIONAL) IN  
THEIR PRE-LOADED POSITIONS  
(DELIVERY CONDITION)

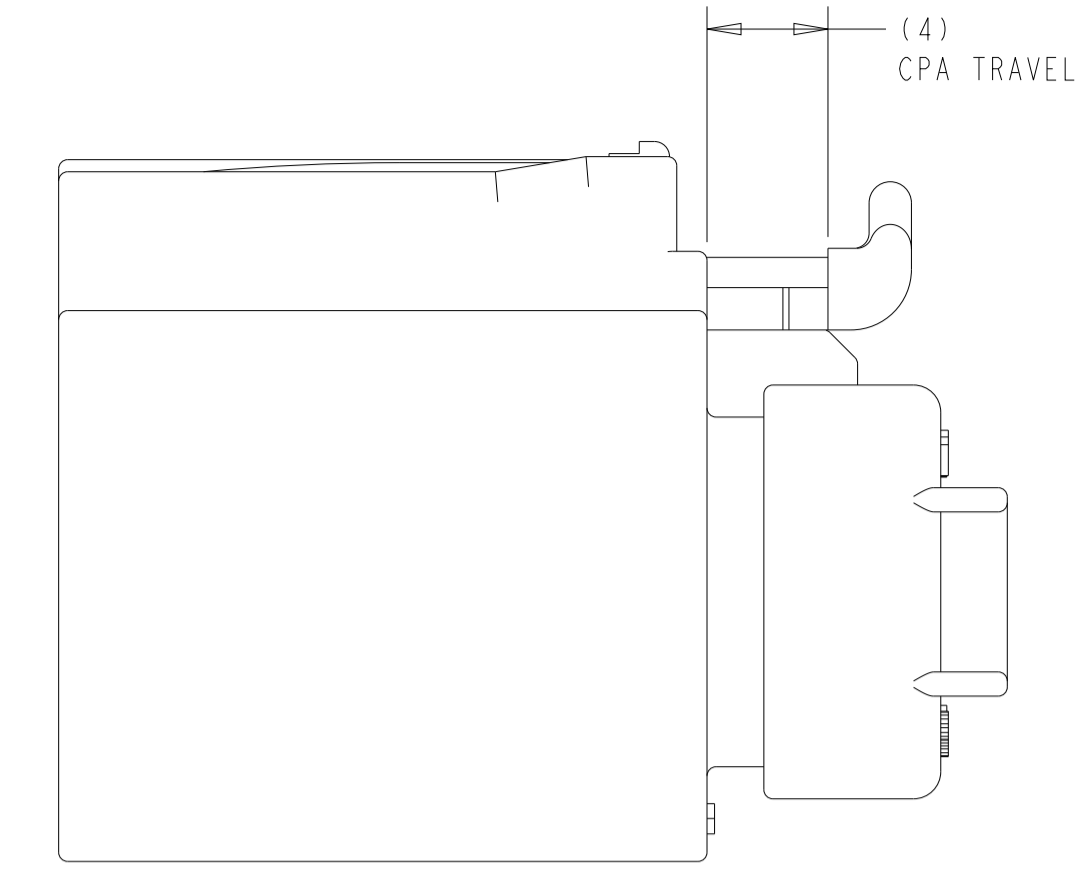
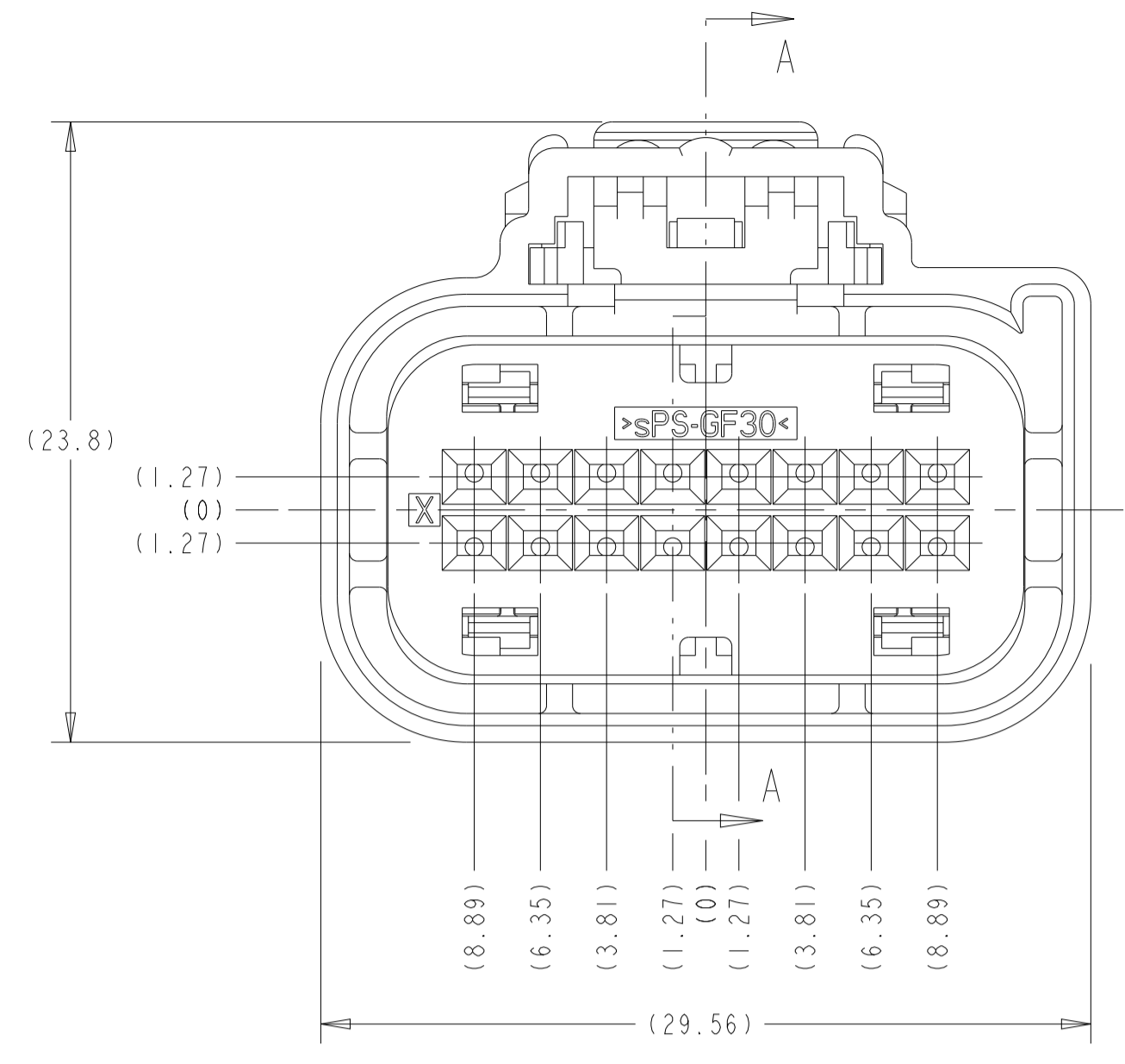
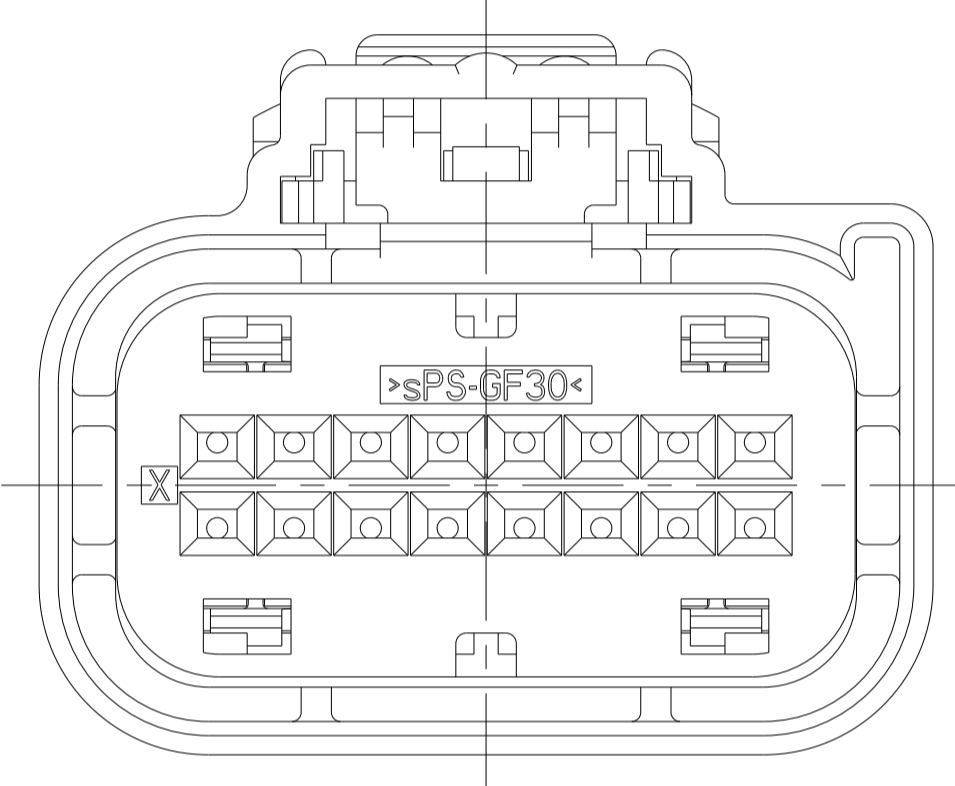
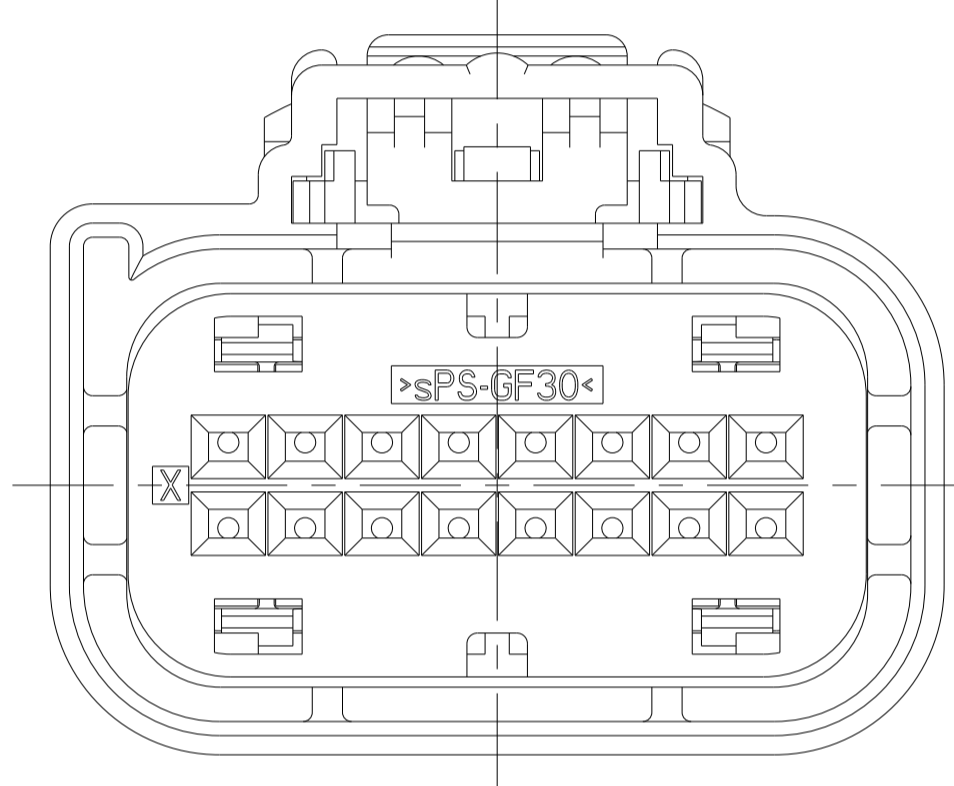


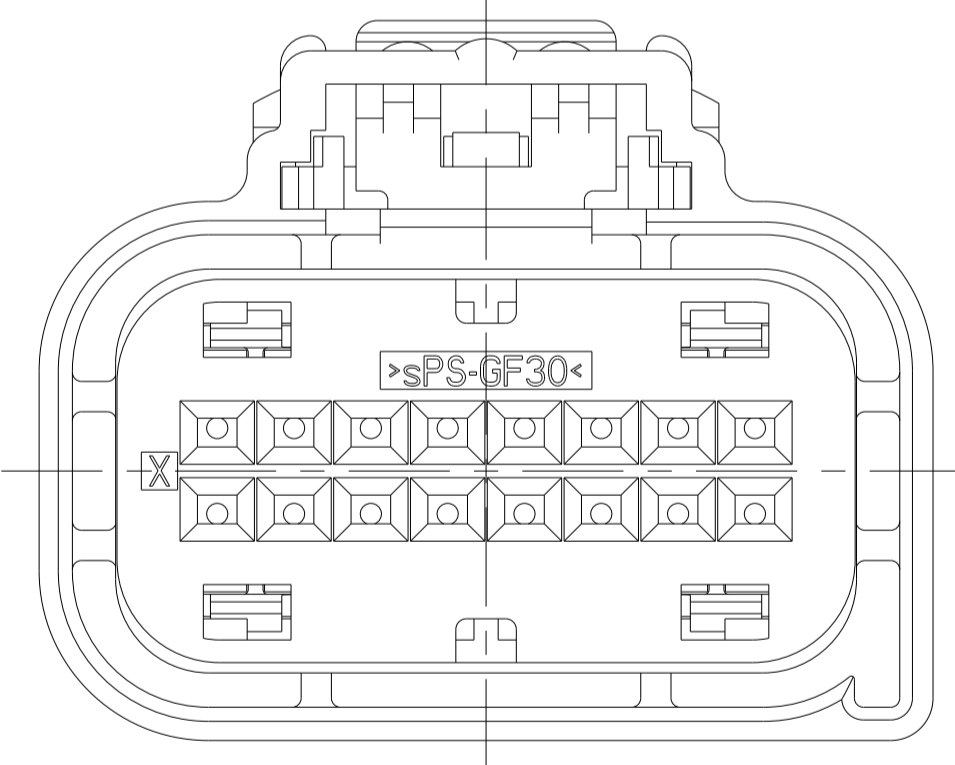
CHART 1															
1	2	3	4	5	6	7	8	9	10	11	12	13	14	15	16
			4	5	6		8	9	11	13	14	15			1438031-7
	2	4	6												+438031-6/9
	2	4	6												1438031-5
															5-1419168-8
															5-1419168-9
															6-1419168-0
															6-1419168-1
															1438031-1
															1438031-2
															1438031-3
															1438031-4
1	2	3	4	5	6	7	8	9	10	11	12	13	14	15	16
TERMINAL HOLE POSITION															ASSEMBLY PART NUMBER
CAVITIES WITH A NUMERIC SYMBOL INDICATE CLOSED TERMINAL HOLE POSITIONS															
BLANK CAVITIES INDICATE OPEN TERMINAL HOLE POSITIONS															



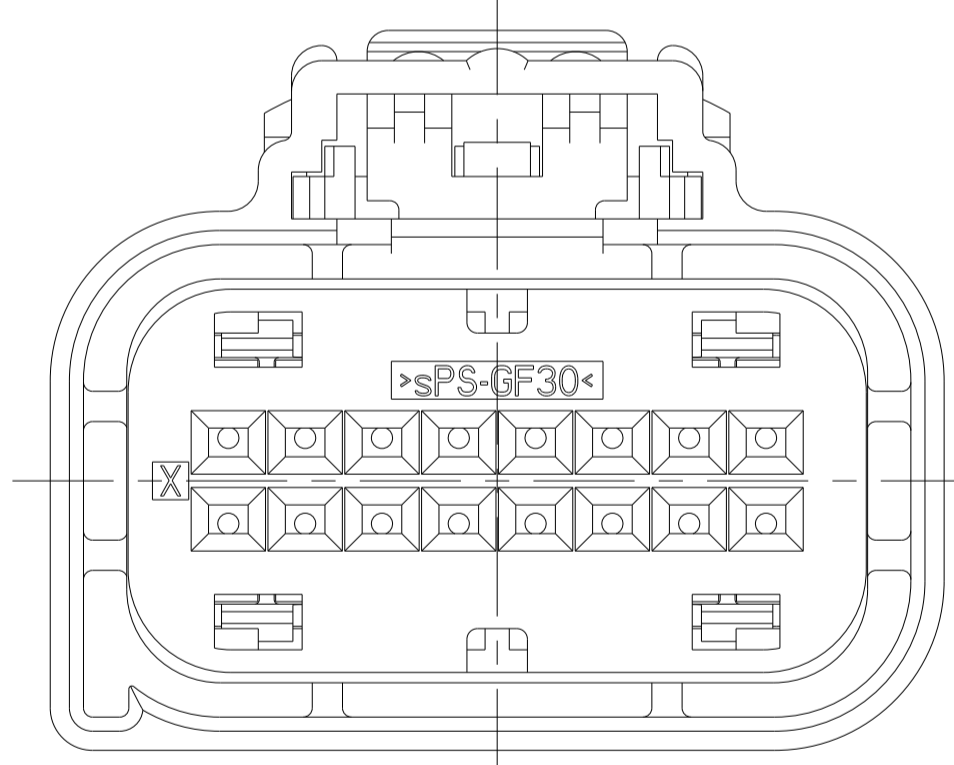
KEYING OPTION "A"



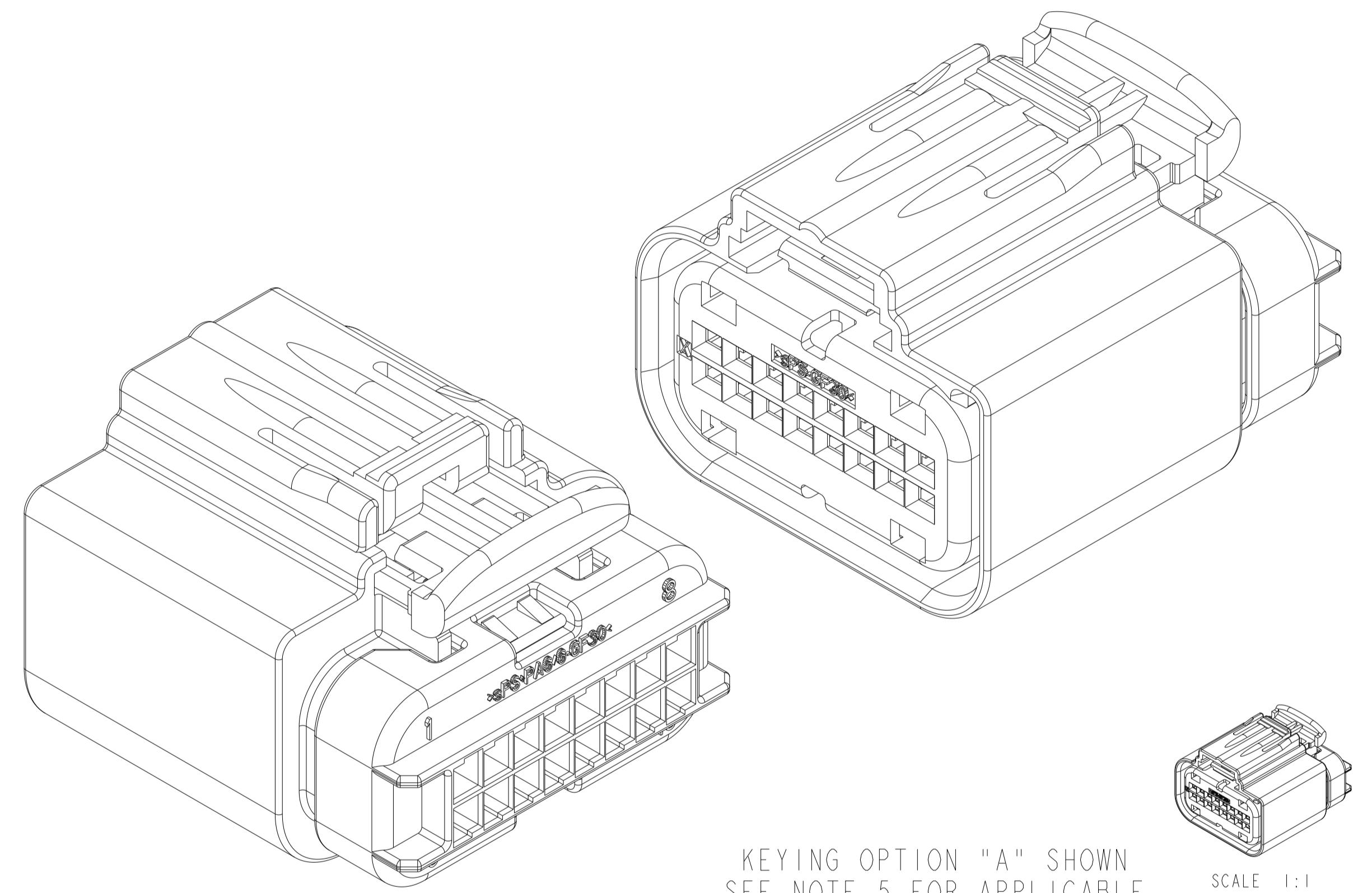
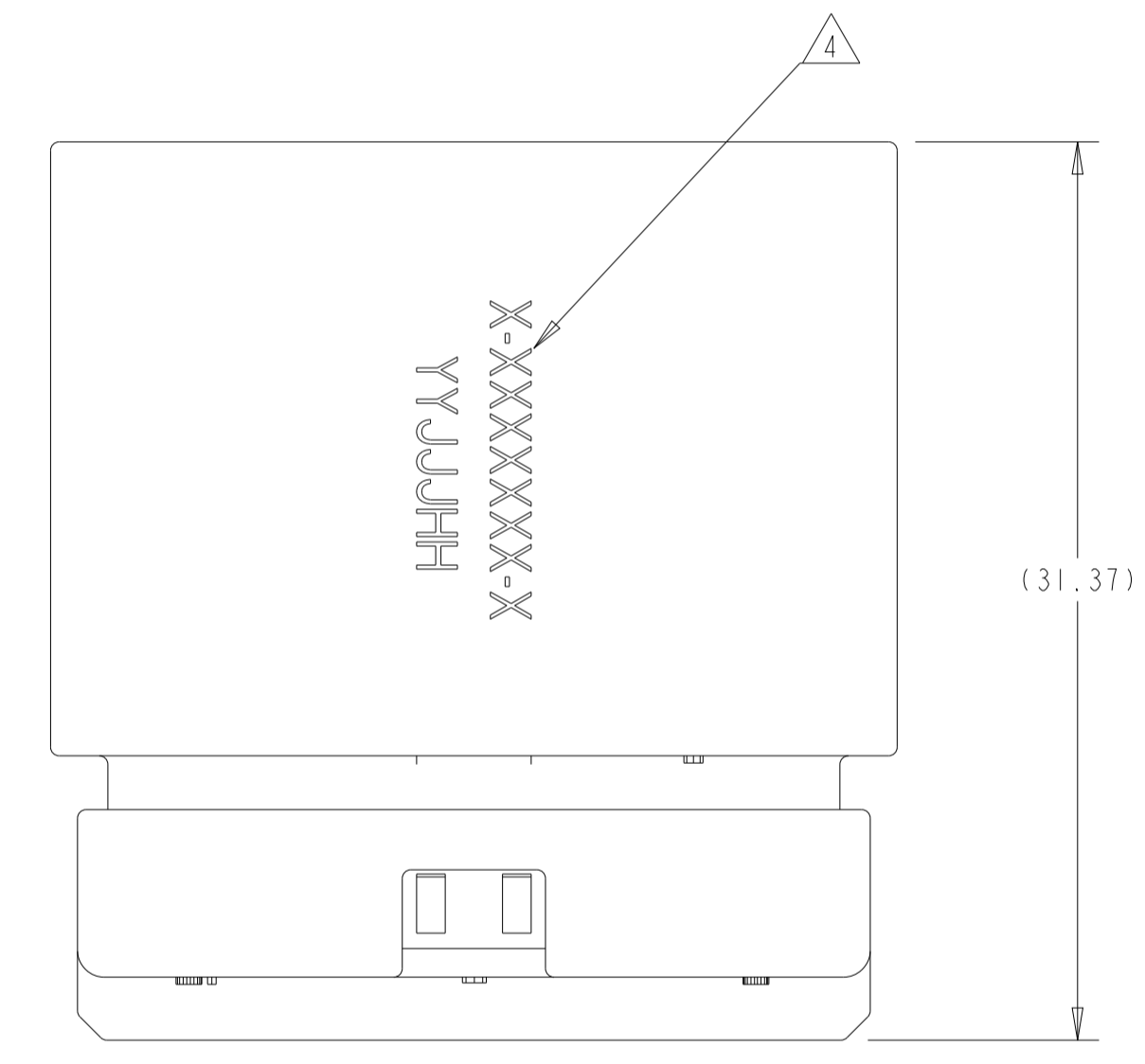
KEYING OPTION "B"



KEYING OPTION "C"



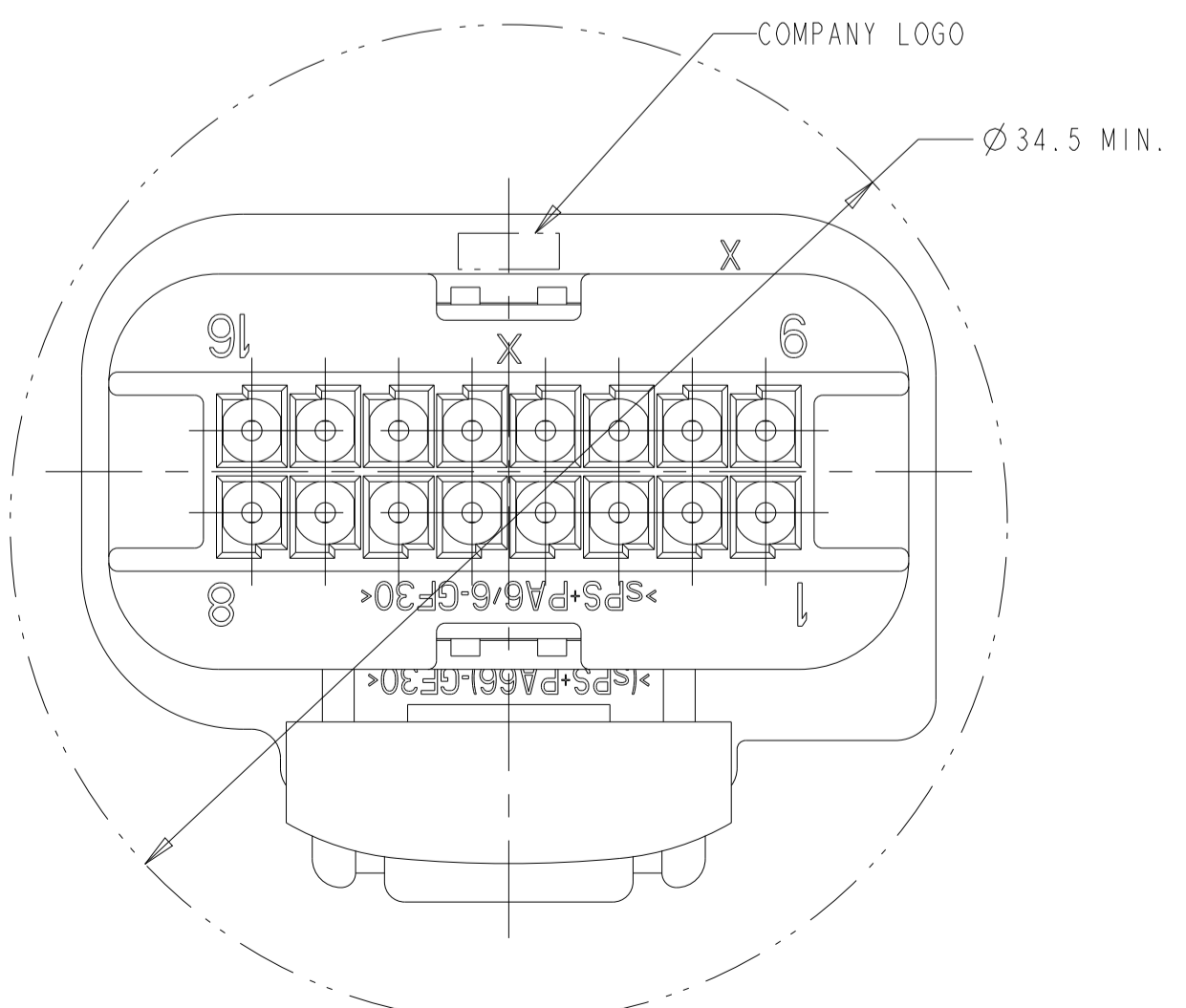
KEYING OPTION "D"



KEYING OPTION "A" SHOWN  
SEE NOTE 5 FOR APPLICABLE  
HEADER INTERFACE INFORMATION

SCALE 1:1

- APPLICABLE TERMINAL PART NUMBERS (SOLD SEPARATELY):  
FOR TIN AND SILVER APPLICATIONS: 1393367 AND 1393366.  
FOR GOLD APPLICATIONS: 1393365 AND 1393364.  
FOR TERMINATION AND REELING OPTIONS  
SEE DRAWINGS 1393367, 1393366, 1393365, AND 1393364.
- COMPATIBLE WIRE SIZES FOR MAT SEAL DESIGN 1.19 TO 2.06 O.D.  
(22-18 AWG, 0.35-0.75 mm<sup>2</sup>)
- TPA IS SHIPPED IN PRE-LOADED POSITION. SOME TPA'S MAY BECOME FULLY SEATED DURING SHIPPING. USE TYCO INSTRUCTION SHEET 408-10128 TO REPOSITION TPA TO ITS PRE-LOADED POSITION.
- TE ASSEMBLY PART NUMBER (X-XXXXXX-X) AND TRACEABILITY CODE (YY = TWO DIGIT YEAR, JJJ = JULIAN DAY, HH = TWO DIGIT MILITARY HOUR) ARE PRINTED IN THIS LOCATION.
- APPLICABLE HEADER INTERFACE DRAWING 1488345.
- NOTE REMOVED.
- ASSEMBLIES ARE BULK PACKAGED.
- OPTIONAL CPA IS SHIPPED IN ITS PRE-LOADED POSITION.
- OBsolete PART.



MINIMUM FEED THROUGH CONDITION  
WITH 1mm CLEARANCE ALL AROUND

QUANTITY	ITEM	DESCRIPTION	MATERIAL	COLOR/FINISH
	6	CPA	PBT-GF15	RED
	5	PERIMETER SEAL	SILICONE	GREEN
	4	GROMMET	SILICONE	BROWN
	3	COVER	sPS-GF30	BLACK
	2	TPA	sPS-GF30	NATURAL/RED
	1	PLUG WITH KEYING OPTION "D"	(sPS+PA66)-GF30	BLACK
	1	PLUG WITH KEYING OPTION "C"	(sPS+PA66)-GF30	BLACK
	1	PLUG WITH KEYING OPTION "B"	(sPS+PA66)-GF30	BLACK
	1	PLUG WITH KEYING OPTION "A"	(sPS+PA66)-GF30	BLACK

THIS DRAWING IS A CONTROLLED DOCUMENT.

TE Connectivity

2x8 SEALED FEMALE PLUG ASSEMBLY CUSTOMER SPEC.

00779 ©=5-1419168-8

SCALE 4:1 SHEET 1 OF 1 REV K4