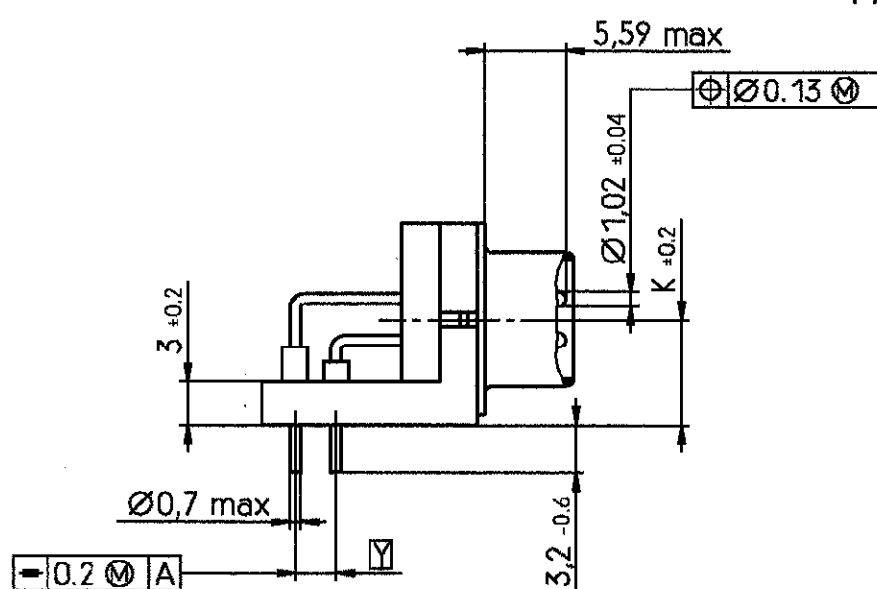
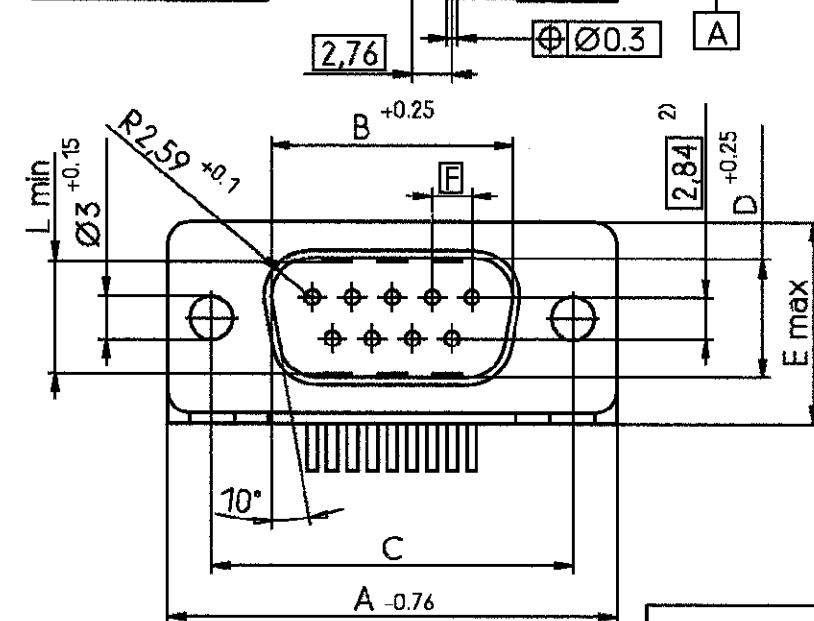
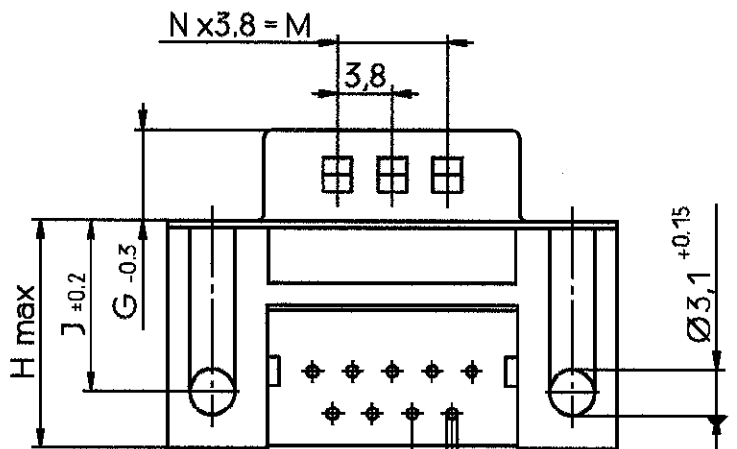


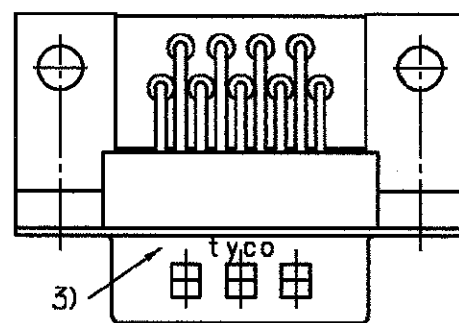
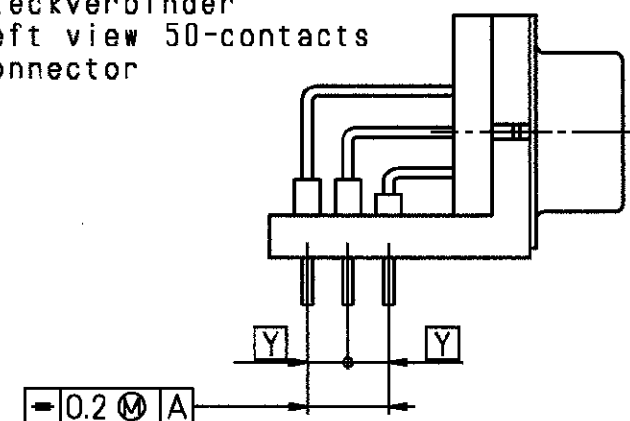
Standardausführung: V42254-A32*6-C***
 standard version: V42254-A32*8-C***

Sachnr. ordering code V42254-	Y
A3*1*-C***	2.84
A3*3*-C***	
A3*2*-C***	2.54
A3*4*-C***	

- 4) Nur notwendig bei Ausführung mit Masselötlift (V42254-A33***-C***)
- 3) Beschriftung nicht bei V42254-A3**5-C***
V42254-A3**8-C***
- 2) Bemerkung: 50-polig: dreireihig
- 1) nach DIN 41652 T.2 und T.4
- 4) only necessary for version with grounding soldering pin (V42254-A33***-C***)
- 3) no marking for V42254-A3**5-C***
V42254-A3**8-C***
- 2) remark: 50-contacts version: 3 contact rows
- 1) according to DIN 41652 p.2 and p.4



linke Ansicht 50 pol.
Steckverbinder
left view 50-contacts
connector



Sachnr. ordering code V42254-A3***-	Polzahl no. of contacts	dimension Maß	A	B	C	D	E	F	G	H	J	K	L	M	N
C*09	09		31.19	16.79	25.0 ^{+0.12} / _{-0.13}	8.23	13.9	2.74	6.12	16	11.7	7.3	7.72	7.6	2
C*15	15		39.52	25.12	33.3 ^{+0.15} / _{-0.1}	8.23	13.9	2.74	6.12	16	11.7	7.3	7.69	15.2	4
C*25	25		53.42	38.84	47.04 ^{+0.13} / _{-0.13}	8.23	13.9	2.76	5.99	16	11.7	7.3	7.65	26.6	7
C*37	37		69.7	55.3	63.5 ^{+0.13} / _{-0.13}	8.23	13.9	2.76	5.99	16	11.7	7.3	7.65	41.8	11
C*50	50 ²⁾		67.31	52.68	61.1 ^{+0.14} / _{-0.11}	10.95	16.75	2.76	5.99	18.6	13.1	8.8	10.45	41.8	11

Anforderungsstufe
performance level 1)

dargestellt wird die 9-polige Ausführung
drawn is the 9-contacts version

tyco TYCO ELECTRONICS CORPORATION		SCALE 2:1		WEIGHT	
Electronics OOSTKAMP - BELGIUM		DIMENSIONS IN MM		MATERIAL	
DATE 09.03.90		PART NAME		Sub-D Lötstiften 90° Kunststoffwinkel	
NAME Embo		PART NO.		C42254-A3***-C***-*-27	
DEP. PE Com PE&SE		Customer Drawing Nr. C 5-1393484-1		SHT. 14	
REV. CHANGE ORDER		DATE		APP.	

SUBSIDIARIES AND AFFILIATES. IT MAY NOT BE DISCLOSED TO ANYONE, OTHER THAN TYCO ELECTRONICS PERSONNEL, WITHOUT WRITTEN AUTHORIZATION FROM TYCO ELECTRONICS CORPORATION, HARRISBURG PENNSYLVANIA USA

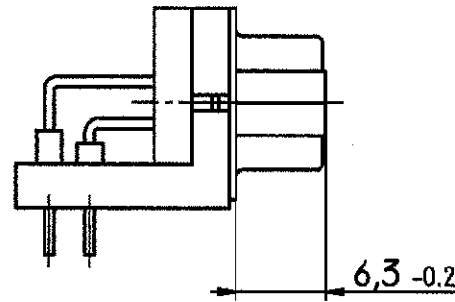
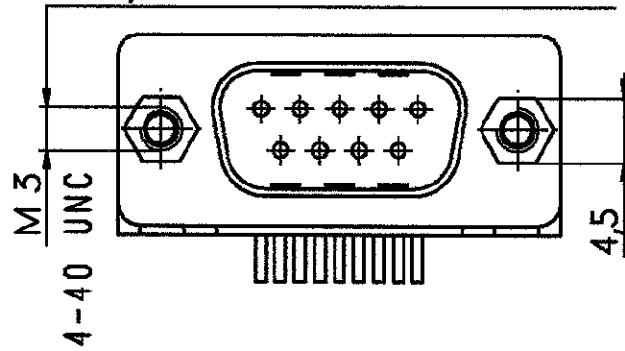
SUBSIDIARIES AND AFFILIATES. IT MAY NOT BE DISCLOSED TO ANYONE, OTHER THAN TYCO ELECTRONICS PERSONNEL, WITHOUT WRITTEN AUTHORIZATION FROM TYCO ELECTRONICS CORPORATION, HARRISBURG, PENNSYLVANIA, USA.

dargestellt wird die 9-polige Ausführung
drawn is the 9-contacts version

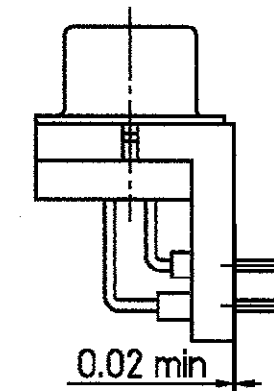
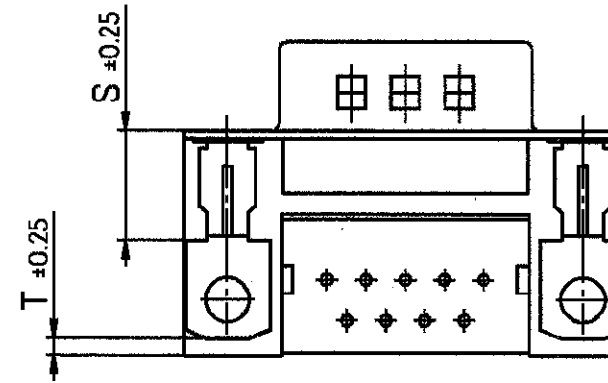
mit Gewindebolzen:
with screwlock stud bolts:

M3: V42254-A3**9-C*** 4-40UNC: V42254-A3**5-C***
V42254-A3**7-C***

Verdrehsicherheit \geq 70 Ncm
torque retention \geq 70 Ncm



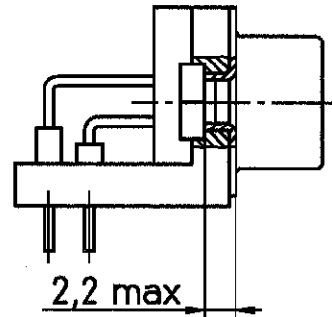
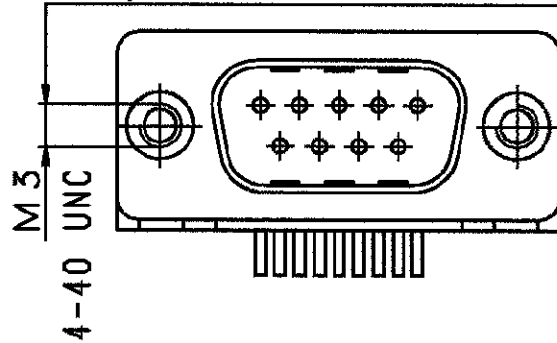
mit Masseblech:
with grounding plate: V42254-A31**-C***



mit Gewindeeinsätze:
with thread inserts:

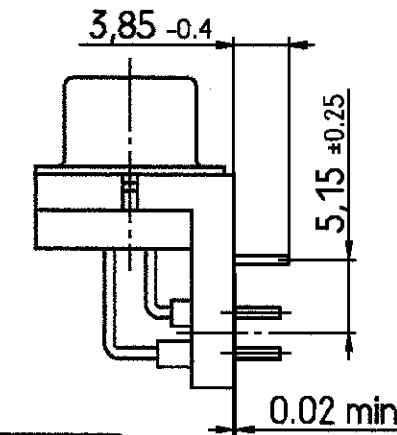
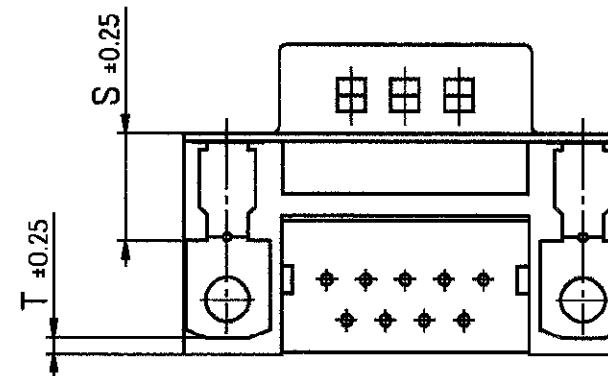
M3: V42254-A3**3-C*** 4-40UNC: V42254-A3**1-C***

Verdrehsicherheit \geq 70 Ncm
torque retention \geq 70 Ncm

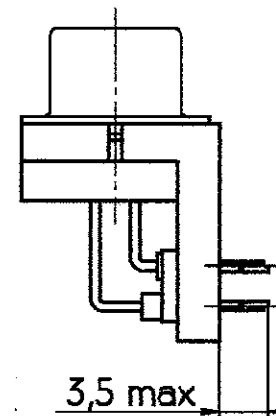
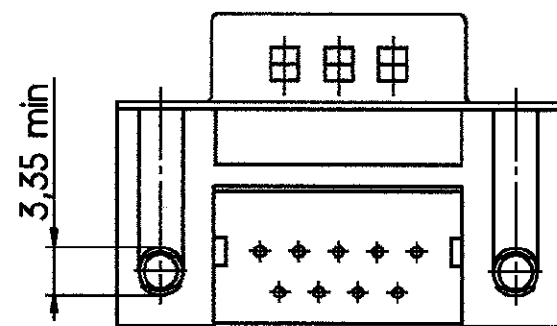


mit Masseblech und Masselötlift:
with grounding plate and grounding soldering pin:

V42254-A33**-C***



mit Clipbefestigung: V42254-A3*3*-C***
with grounding socket: V42254-A3*4*-C***

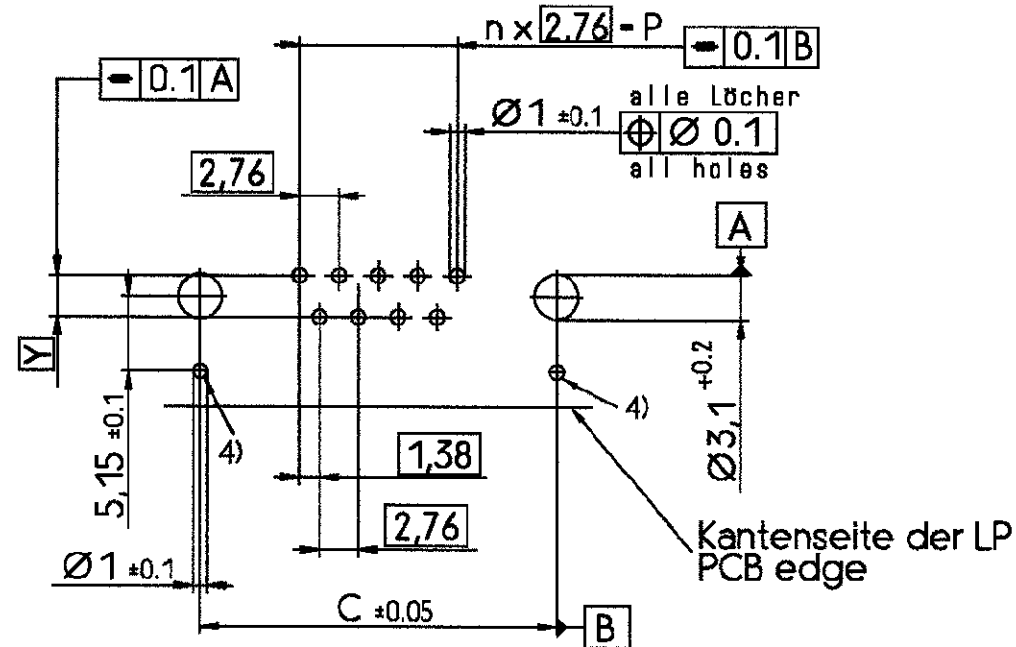


LP-Dicke: 1.6 ±0.13 mm
PCB thickness:
Lochdurchmesser: 3.1^{+0.2} mm
hole diameter:

Sachnr. ordering code V42254-A31**- oder // or V42254-A33**-	Pol- zahl no. of contacts	dimension Maß	
		S	T
C*09	09	7.75	1.15
C*15	15	7.75	1.15
C*25	25	7.75	1.15
C*37	37	7.75	1.15
C*50	50	9.15	2.25

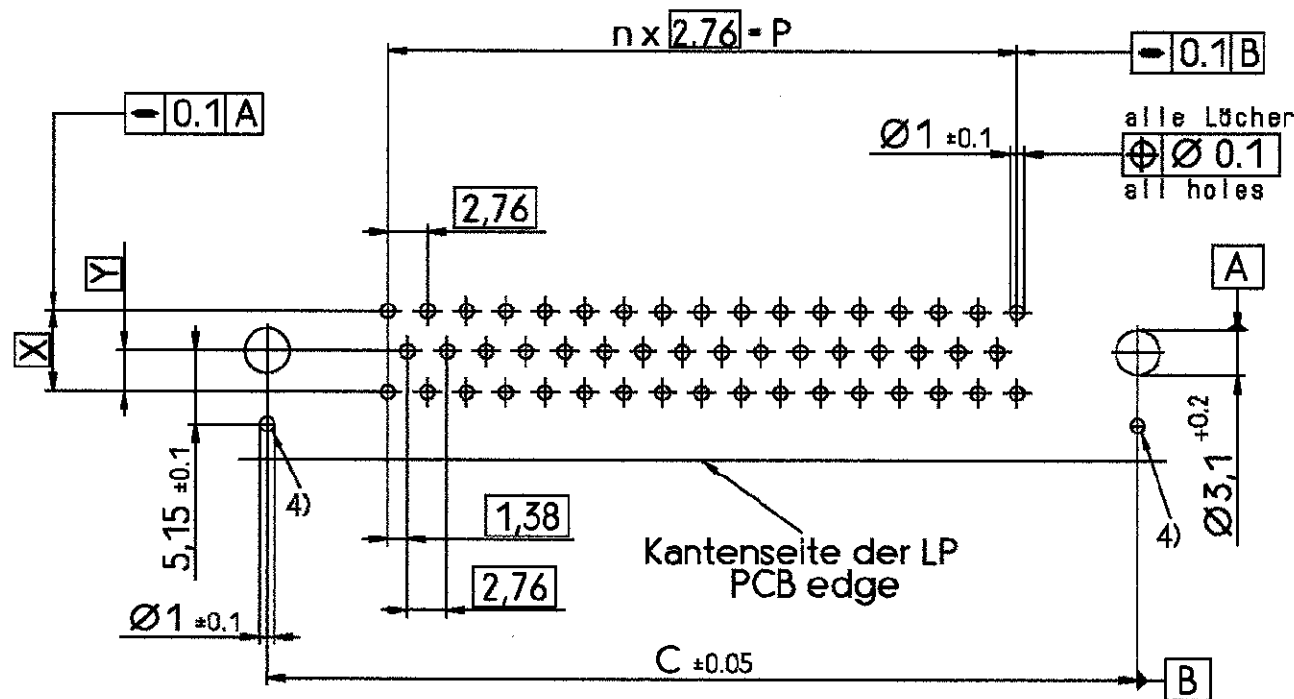
tyco TYCO ELECTRONICS CORPORATION		SCALE 2:1		WEIGHT	
Electronics OOSTKAMP - BELGIUM		LOC DIMENSIONS IN MM		MATERIAL	
DATE 09.03.90		PART NAME		Sub-D Lötstiften 90° Kunststoffwinkel	
NAME Embo		PART NO.		Stiftleiste mit Schirmfiederung	
DEP. PE Com PE&SE		TOLERANCE UNLESS SPECIFIED OTHERWISE		D-Sub soldering pins 90° plastic bracket	
REV. CHANGE ORDER		DATE		APP.	
Customer Drawing Nr. C 5-1393484-1		SHT. 2+		OF 5	

Leiterplattenbohrung
(dargestellt wird die 9-polige Ausführung)
PCB layout
(drawn is the 9-contacts version)



Polzahl no. of contacts	n	C	P
9	4	25.0	11.04
15	7	33.3	19.32
25	12	47.04	33.12
37	18	63.5	49.68
50	16	61.1	44.16

50-polige Ausführung
50-contacts version



Sachnr. ordering code	Y	X
V42254-		
A3*1*-C***	2.84	5.68
A3*3*-C***		
A3*2*-C***	2.54	5.08
A3*4*-C***		

Erläuterungen: Seite 1+
remarks: see page +1

tyco		TYCO ELECTRONICS CORPORATION	SCALE 2:1		WEIGHT
Electronics		OOSTKAMP - BELGIUM	LOC GW	DIMENSIONS IN MM	
DATE 09.03.90		PART NAME			
NAME Embo		Sub-D Lötstiften 90° Kunststoffwinkel			
DEP. PE Com PE&SE		Stiftleiste mit Schirmfiederung			
B EH01-1452-03 02 DEC 03 DvdH		D-Sub soldering pins 90° plastic bracket			
A W000/7020 28 AUG 00 KV		male connector with grounding fingers			
01 12.02.92 KVR		TOLERANCE UNLESS SPECIFIED OTHERWISE		PART NO.	
52 08.05.91 RSt				SHT. 3+	
51 09.03.90 E				V42254-A3***-C***-*-27	
REV. CHANGE ORDER		DATE APP.		Customer Drawing Nr. C 5-1393484-1	
				OF 5	

SUBSIDIARIES AND AFFILIATES. IT MAY NOT BE DISCLOSED TO ANYONE, OTHER THAN TYCO ELECTRONICS PERSONNEL, WITHOUT WRITTEN AUTHORIZATION FROM TYCO ELECTRONICS CORPORATION, HARRISBURG PENNSYLVANIA USA

V 4 2 2 5 4 - A 3 * * * - C * * *

	Winkelausführung // connection type
1	mit Masseblech // with grounding plate
2	Standardausführung // standard version
3	mit Masseblech und Masselötstift // with grounding plate and grounding soldering pin

	Anschlußoberfläche / Raster // tail surface / center spacing		Leiterplattenbefestigung // PC board mounting
1	verzinkt ohne Clip // 2.76 x 2.84 // tinned // without grounding socket		2.76 x 2.84
2	verzinkt ohne Clip // 2.76 x 2.54 // tinned // without grounding socket		2.76 x 2.54
3	verzinkt mit Clip // 2.76 x 2.84 // tinned // with grounding socket		2.76 x 2.84
4	verzinkt mit Clip // 2.76 x 2.54 // tinned // with grounding socket		2.76 x 2.54

	Polzahl // no. of contacts
09	9-polig // 9-contacts
15	15-polig // 15-contacts
25	25-polig // 25-contacts
37	37-polig // 37-contacts
50	50-polig // 50-contacts

SUPERSEDED

RESTRICTED

	Kontaktoberfläche / Kontaktart // contact surface / contact type
1	Anforderungsstufe 1 / gerollte Kontakte // performance level I / rolled contact
2	Anforderungsstufe 2 / gerollte Kontakte // performance level II / rolled contact

	Steckverbinderunterscheidung // connector versions			
	verzinkt tinned	mit tyco- Beschriftung auf Blechteil with tyco marking on the shell	mit Mutter with nut	mit Gewinde- bolzen with screwlock stud bolts
1	ja // yes	ja // yes	4-40UNC	nein // no
3	ja // yes	ja // yes	M3	nein // no
5	ja // yes	nein // no	nein // no	4-40UNC
6	ja // yes	ja // yes	nein // no	nein // no
7	ja // yes	ja // yes	nein // no	4-40UNC
8	ja // yes	nein // no	nein // no	nein // no
9	ja // yes	ja // yes	nein // no	M3

	Steckerart // connector type
C	Stiftleiste mit Schirmfiederung // male connector with grounding fingers

tyco TYCO ELECTRONICS CORPORATION		SCALE		WEIGHT	
OOSTKAMP - BELGIUM		DIMENSIONS IN MM		MATERIAL	
DATE	09.03.90	PART NAME		Sub-D Lötstiften 90° Kunststoffwinkel	
NAME	Embo	PART NO.		V42254-A3***-C***-*-27	
DEP.	PE Com PE&SE	TOLERANCE UNLESS SPECIFIED OTHERWISE		SHT. 4+	
REV. B	EH01-1452-03	DATE	02 DEC 03	OF 5	
REV. A	W000/7020	DATE	28 AUG 00	Customer Drawing Nr. C 5-1393484-1	

SUBSIDIARIES AND AFFILIATES. IT MAY NOT BE DISCLOSED TO ANYONE, OTHER THAN TYCO ELECTRONICS PERSONNEL, WITHOUT WRITTEN AUTHORIZATION FROM TYCO ELECTRONICS CORPORATION, HARRISBURG PENNSYLVANIA USA

SUBSIDIARIES AND AFFILIATES. IT MAY NOT BE DISCLOSED TO ANYONE, OTHER THAN TYCO ELECTRONICS PERSONNEL, WITHOUT WRITTEN AUTHORIZATION FROM TYCO ELECTRONICS CORPORATION, HARRISBURG, PENNSYLVANIA USA

Active part numbers. Contact Tyco Electronics for other configuration availability

Old Part Number	Tyco Part Number		primary	secondary
V42254-A3111-C209	5-1393484-1	superseded	2-1393478-4	7-1393479-7
V42254-A3111-C215	5-1393484-2	superseded	7-1393479-9	
V42254-A3141-C209	6-1393484-0	superseded	4-1393479-3	
V42254-A3147-C209	6-1393484-5	superseded	6-1393479-4	1-1393480-5
V42254-A3216-C209	7-1393484-4	superseded	1-1393478-0	7-1393479-1
V42254-A3216-C215	7-1393484-5	superseded	1-1393478-1	
V42254-A3216-C225	7-1393484-6	superseded	1-1393478-2	
V42254-A3216-C237	7-1393484-7	superseded	1-1393478-3	
V42254-A3216-C250	1-1393741-1	restricted	OBSOLETE	
V42254-A3217-C215	8-1393484-4	superseded	3-1393478-1	
V42254-A3221-C209	8-1393484-9	superseded	6-1393478-3	
V42254-A3226-C209	0-1393485-1	superseded	4-1393478-4	8-1393479-8
V42254-A3226-C215	0-1393485-2	superseded	4-1393478-5	8-1393479-9
V42254-A3226-C225	0-1393485-3	superseded	9-1393479-0	
V42254-A3226-C237	0-1393485-4	superseded	4-1393478-6	9-1393479-1
V42254-A3226-C250	1-1393741-6	restricted	OBSOLETE	
V42254-A3227-C209	0-1393485-5	superseded	8-1393478-0	0-1393480-1
V42254-A3227-C225	1-1393485-0	superseded	9-1393479-0	
V42254-A3229-C209	1-1393485-4	superseded	4-1393478-4	
V42254-A3229-C215	1-1393485-5	superseded	4-1393478-5	
V42254-A3237-C250	2-1393741-0	restricted	OBSOLETE	
V42254-A3247-C209	2-1393485-3	superseded	6-1393479-4	1-1393480-5
V42254-A3247-C225	2-1393485-4	superseded	6-1393479-6	8-1393487-6
V42254-A3317-C209	2-1393485-6	superseded	3-1393478-0	8-1393479-3
V42254-A3317-C215	3-1393485-1	superseded	3-1393478-1	
V42254-A3317-C225	3-1393485-2	superseded	3-1393478-2	
V42254-A3321-C209	3-1393485-5	superseded	6-1393478-3	
V42254-A3323-C225	3-1393485-7	superseded	9-1393479-4	
V42254-A3326-C209	4-1419139-2	superseded	4-1393478-4	8-1393479-8
V42254-A3326-C215	4-1393485-2	superseded	4-1393478-5	8-1393479-9
V42254-A3326-C225	4-1393485-3	superseded	9-1393479-0	
V42254-A3326-C237	4-1393485-4	superseded	4-1393478-6	9-1393479-1
V42254-A3326-C250	4-1419139-3	restricted	OBSOLETE	
V42254-A3327-C209	4-1393485-9	superseded	8-1393478-0	0-1393480-1
V42254-A3327-C215	5-1393485-0	superseded	0-1392010-7	6-1393487-2
V42254-A3327-C225	5-1393485-1	superseded	6-1393487-3	
V42254-A3327-C237	5-1393485-2	superseded	8-1393478-1	6-1393487-4
V42254-A3327-C250	2-1393741-3	restricted	OBSOLETE	
V42254-A3336-C215	5-1393485-5	superseded	8-1393478-6	
V42254-A3346-C209	6-1393485-1	superseded	1-1393479-7	6-1393487-9
V42254-A3346-C225	6-1393485-2	superseded	1-1393479-9	7-1393487-1

tyco		TYCO ELECTRONICS CORPORATION				SCALE	WEIGHT
Electronics		GOSTKAMP - BELGIUM		LOC GW		DIMENSIONS IN MM	
DATE	09.03.90	PART NAME		Sub-D Lötstiften 90° Kunststoffwinkel			
NAME	Embo	STIFTELEISTE MIT SCHIRMFIEDERUNG		D-Sub soldering pins 90° plastic bracket			
DEP.	PE Com PE&SE	TOLERANCE UNLESS SPECIFIED OTHERWISE		male connector with grounding fingers			
REV. B	EHQ1-1452-03	02 DEC 03	DvdH	PART NO.		SHT. 5-	
REV. A	W0007020	28 AUG 00	KV	C42254-A3***-C***-*-27		OF 5	
Customer Drawing Nr. C		5-1393484-1					