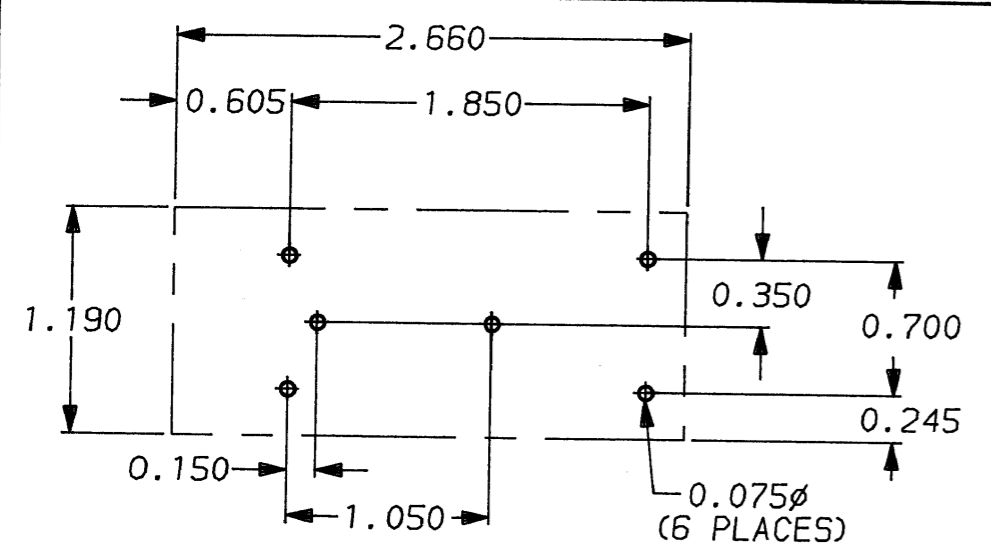
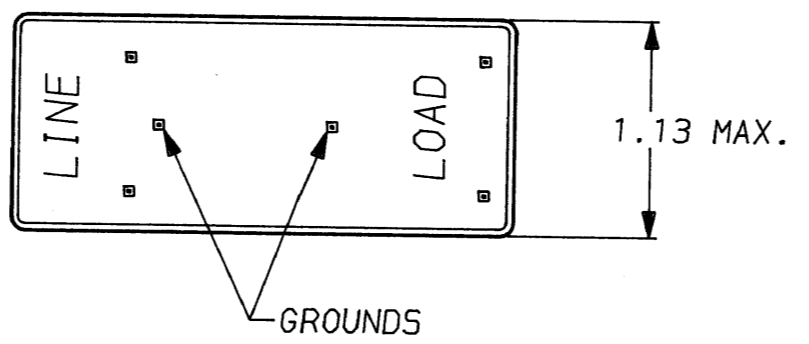
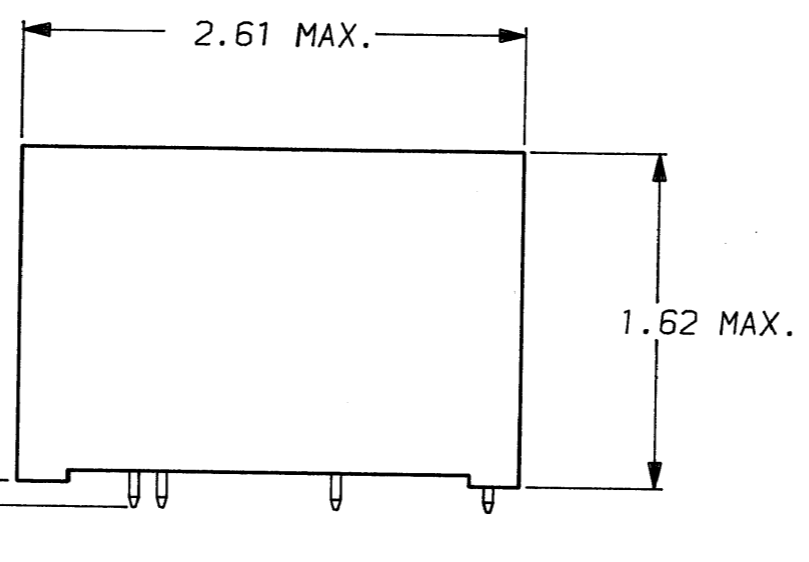


DESCRIPTION	APPROVED BY/DATE	REV
	C. Westby 7-10-90	2
<b>ECO-09-026495</b>	<b>AEG / 07DEC09</b>	<b>3</b>

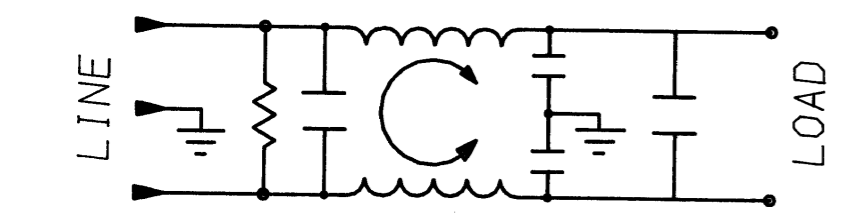


**RECOMMENDED MOUNTING HOLES & CLEARANCE AREA**  
**TOLERANCE UNLESS OTHERWISE SPECIFIED: ±.006**



**PINS: .065 MAX. DIAGONAL**  
**(6 PLACES)**

6609060-4  
 4609060-4 OBSOLETE



⚠ **OBSOLETE PARTS: OBSOLETE CIS STREAMLINING PER D.RENAUD/D.SINISI**

**SAFETY ORGANIZATION(S):**

THIS FILTER HAS BEEN FORMALLY RECOGNIZED, CERTIFIED OR APPROVED BY THE LISTED AGENCY. THEREFORE, ALL TEST/REQUIREMENTS SPECIFIED IN THE LATEST REVISION OF THE FOLLOWING AGENCY STANDARDS HAVE BEEN MET:

- UL RECOGNIZED UL 1283
- CSA CERTIFIED CSA 22.2, NO.0,0.4,8
- VDE APPROVED VDE 565-3

**OPERATING SPECIFICATIONS:**

- LINE VOLTAGE/CURRENT: 4 AMP., 120/250 VAC  
3 AMP./40°C, 250 VAC
- LINE FREQUENCY: 50-60Hz
- MAX. LEAKAGE CURRENT, EACH LINE TO GROUND: .3mA @ 120V 60Hz  
.5mA @ 250V 50Hz
- OPERATING AMBIENT TEMP. RANGE: -10°C TO +60°C @ RATED CURRENT, I<sub>r</sub>

IN AN AMBIENT, T<sub>a</sub>, HIGHER THAN 60°C, THE MAXIMUM OPERATING CURRENT, I<sub>o</sub>, IS AS FOLLOWS:

$$I_o = I_r \sqrt{\frac{85 - T_a}{25}}$$

**RELIABILITY SPECIFICATIONS:**

- STORAGE TEMPERATURE: -40°C TO +85°C
- HUMIDITY: 21 DAYS @ 40°C 95% RH
- CURRENT OVERLOAD TEST: 6 TIMES RATED CURRENT FOR 8 SECONDS

**TEST SPECIFICATIONS:**

- INDUCTANCE: 2.2mH NOMINAL
- CAPACITANCE: (MEASURED @ 1 KHz, 0.25 VAC MAX., 25°C ±1°C)  
LINE TO GROUND: 8000pF ±20%  
LINE TO LINE: 0.43µF ±20%
- DISCHARGE RESISTOR: 560 KΩ
- LINE/GROUND AND LINE/LINE INSULATION RESISTANCE (WITHOUT DISCHARGE RESISTOR): 6000 MΩ (MIN) AT 100 VDC 20°C AND 50% RH

**RECOMMENDED RECEIVING INSPECTION HIPOT:**

- LINES TO GROUND: 2250 VDC FOR 1 MINUTE
- LINE TO LINE: 1450 VDC FOR 1 MINUTE

**FILTER APPROVAL:**

THE BEST WAY TO SELECT AND QUALIFY A FILTER IS FOR YOUR ENGINEERING TO TEST THE UNIT IN YOUR EQUIPMENT.

50Ω - 50Ω (MINIMUM) INSERTION LOSS										
FREQUENCY MHz	.01	.05	.07	.15	.50	1	3	5	10	30
COMMON dB	2	13	16	22	37	44	44	44	44	38
DIFF. dB	—	—	10	37	70	70	70	70	65	55

TOLERANCE EXCEPT AS NOTED  
 DECIMAL: .XXX .XX .X ANGLES ± 1°  
 ENGLISH: ±.025  
 METRIC: ± —  
 MATERIAL: AS SUPPLIED



**POWER LINE FILTER**

This document is proprietary to CORCOM INC. and is not to be reproduced nor used for manufacturing purposes except on CORCOM's order or prior written consent.

FINISH:

SCALE	DATE	DRG. NO.	REV.
NTS	8-8-86		
DRW. BY	ORIGINATOR	4EXP. 03	
LJD	CFW		