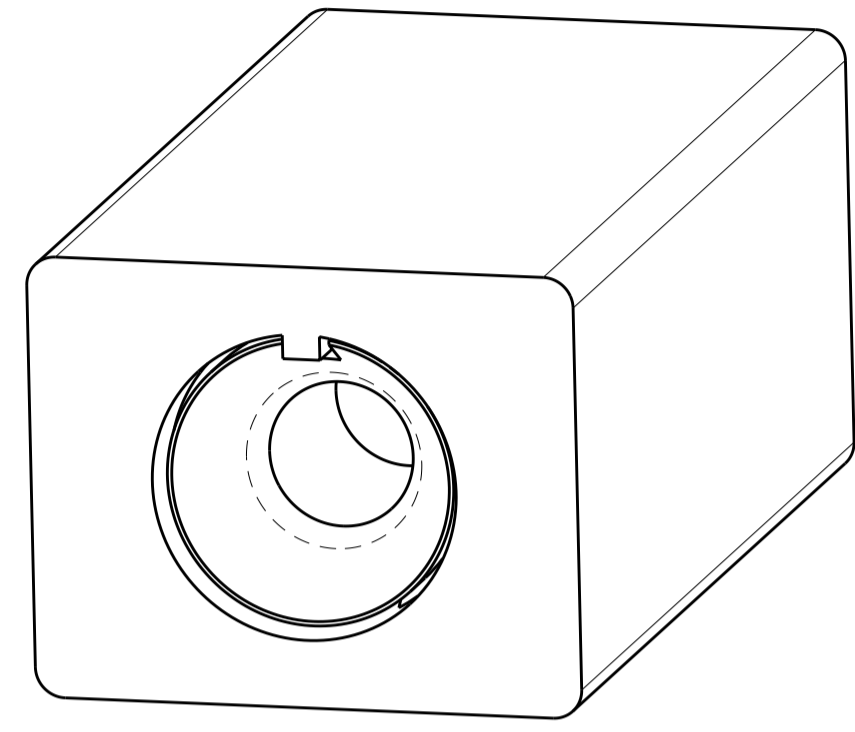
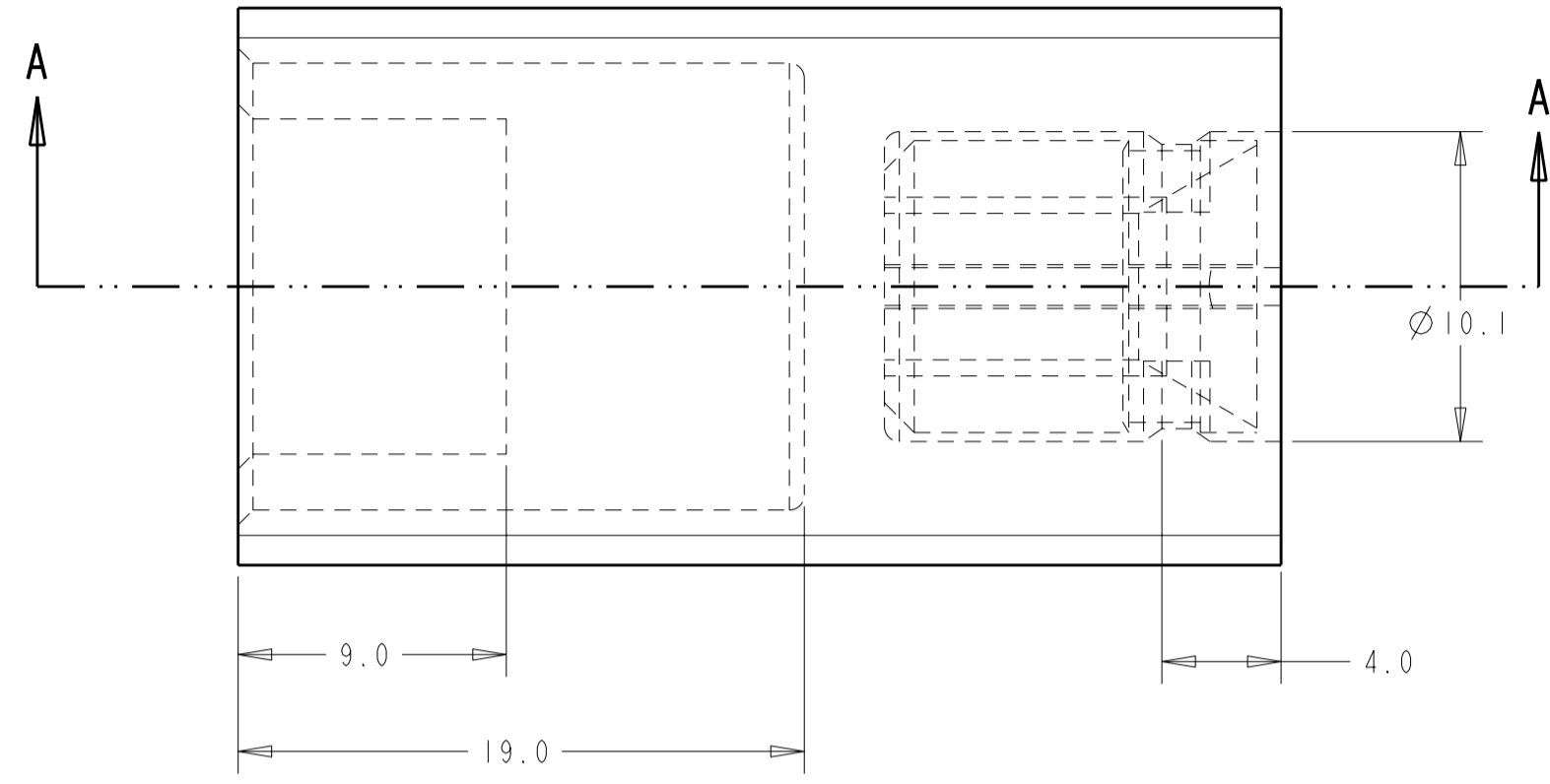
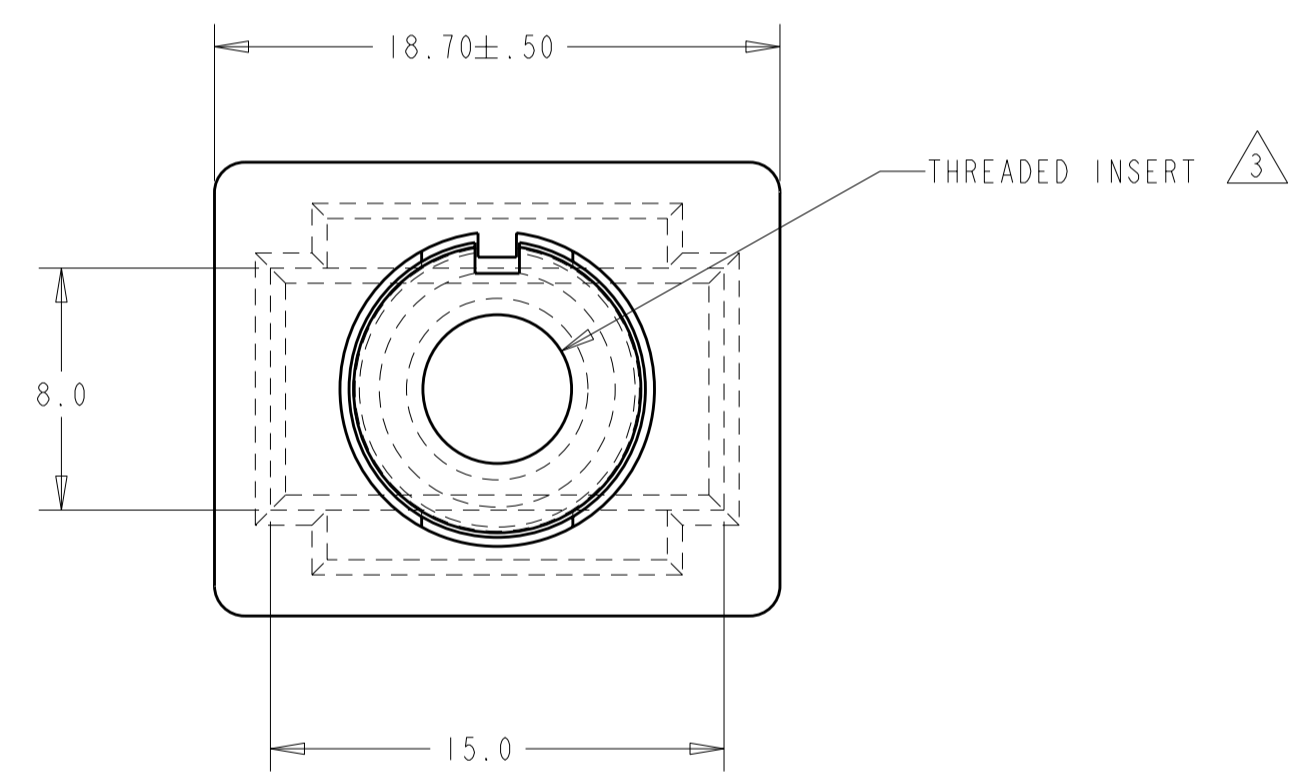
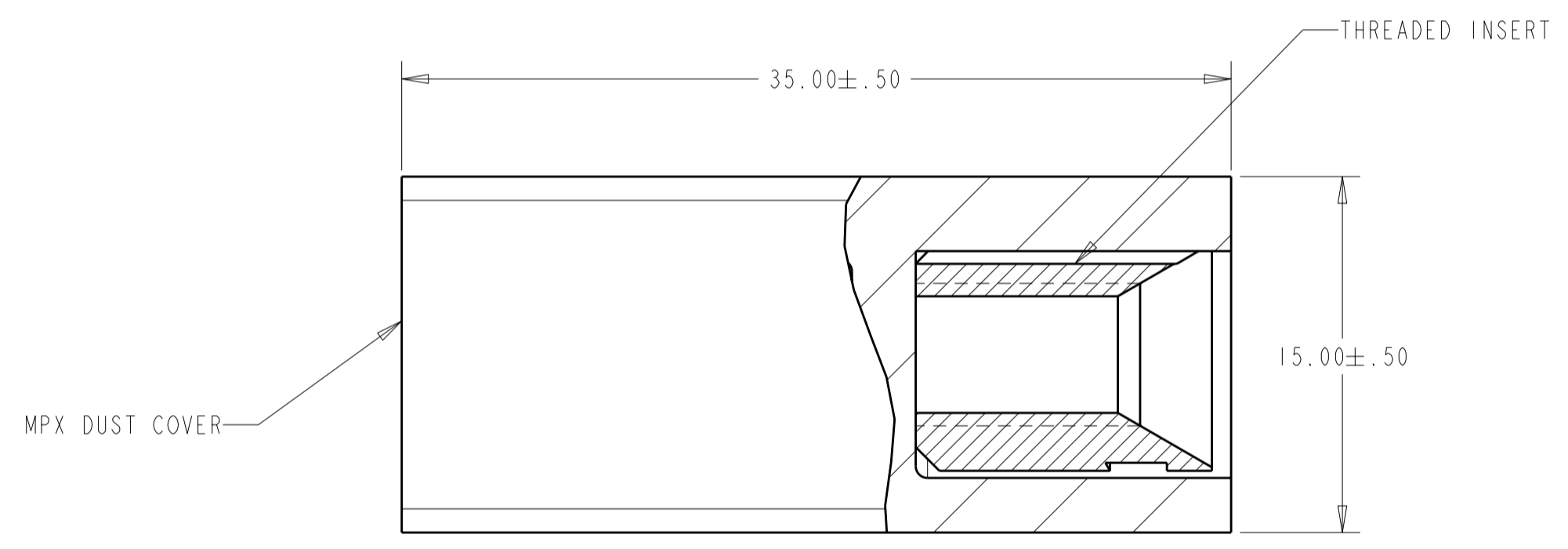


THIS DRAWING IS UNPUBLISHED. RELEASED FOR PUBLICATION 2009
 © COPYRIGHT 2009 BY TYCO ELECTRONICS CORPORATION. ALL INTERNATIONAL RIGHTS RESERVED.

LOC	DIST	REVISIONS			
P	LTR	DESCRIPTION	DATE	DWN	APVD
CE	16				
	A	REV PER EC 0A00-0572-97	19NOV97	TG	LB
	B	REVISED PER ECN 0A00-0050-99	20APR99	SH	LAB
	BI	REVISED PER ECO-09-025699	22DEC2009	KK	AEG



SCALE 4:1



- 1 MATERIAL: BOOT: THERMOPLASTIC ELASTOMER
- 2. BULK PACKAGE 25 PIECES.
- 3 USE WITH THREADED INSERT P/N: 503798-1.
- 4. RETENTION FORCE WHEN MATED = 1/2 LB MINIMUM.
- 5 MATERIAL: INSERT: NICKEL PLATED BRASS.
- 6 OBSOLETE PARTS: OBSOLETE CIS STREAMLINING PER D.RENAUD/D.SINISI

6	SUPERCEDED BY 5492576-7	RED	5 1	492576-7
	OBSOLETE 6	BLUE	5 1	492576-5
		GREEN	5 1	492576-3
		BLACK	5 1	492576-1
		COLOR	MATERIAL	PART NUMBER

THIS DRAWING IS A CONTROLLED DOCUMENT FOR TYCO ELECTRONICS CORPORATION. IT IS SUBJECT TO CHANGE AND THE CONTROLLING ENGINEERING ORGANIZATION SHOULD BE CONTACTED FOR THE LATEST REVISION.		DWN T. GREEN 12SEP97	Tyco Electronics Harrisburg, PA 17105-3608	
DIMENSIONS: mm		CHK L. BARKUS 18SEP97	NAME DUST COVER WITH INSERT, MPX MOTHERBOARD	
TOLERANCES UNLESS OTHERWISE SPECIFIED: 0 PLC ± .5 1 PLC ± 0.13 2 PLC ± 0.13 3 PLC ± 0.013 4 PLC ± 0.0001 ANGLES ± FINISH		APVD K. MONROE 18SEP97	SIZE A2	
MATERIAL SEE TABULATION		PRODUCT SPEC - APPLICATION SPEC - WEIGHT -	CAGE CODE 00779	DRAWING NO 492576
		CUSTOMER DRAWING	SCALE 4:1	SHEET 1 OF 1 REV BI