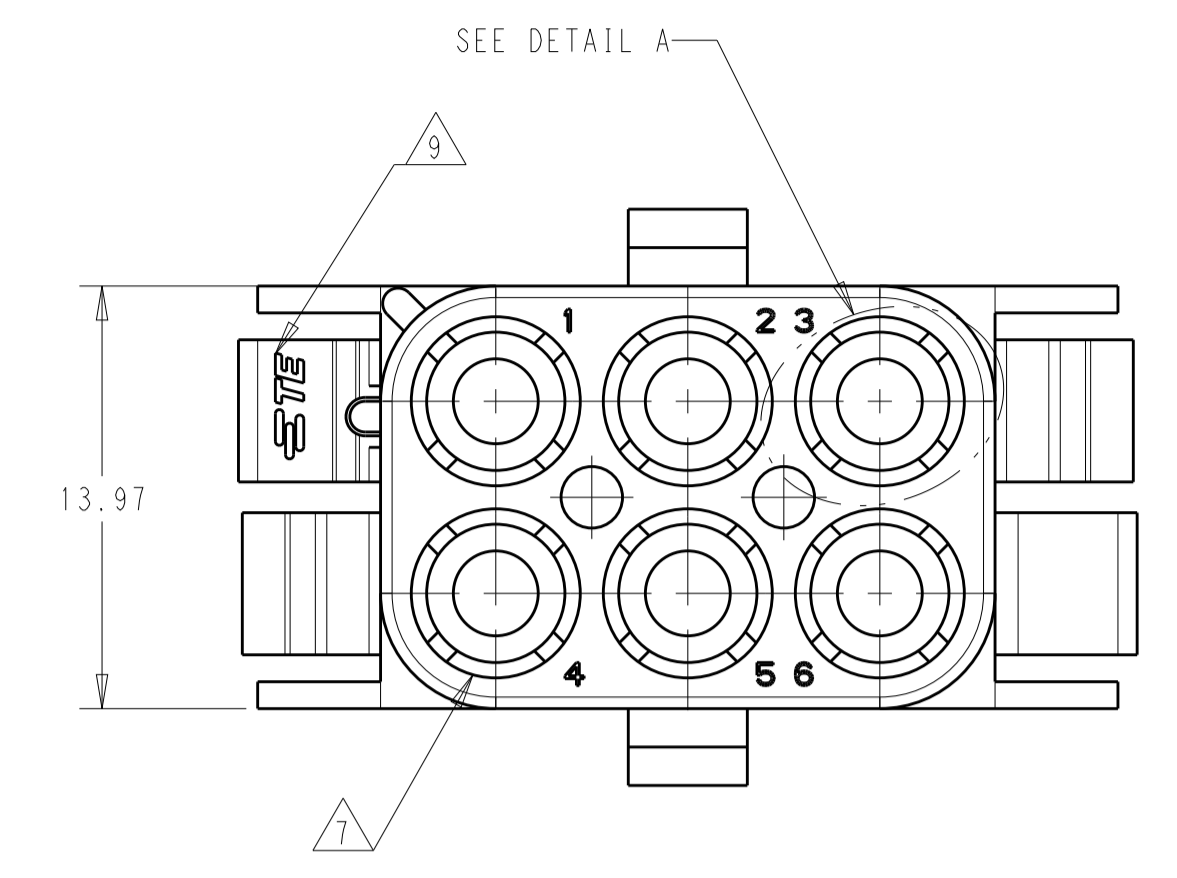
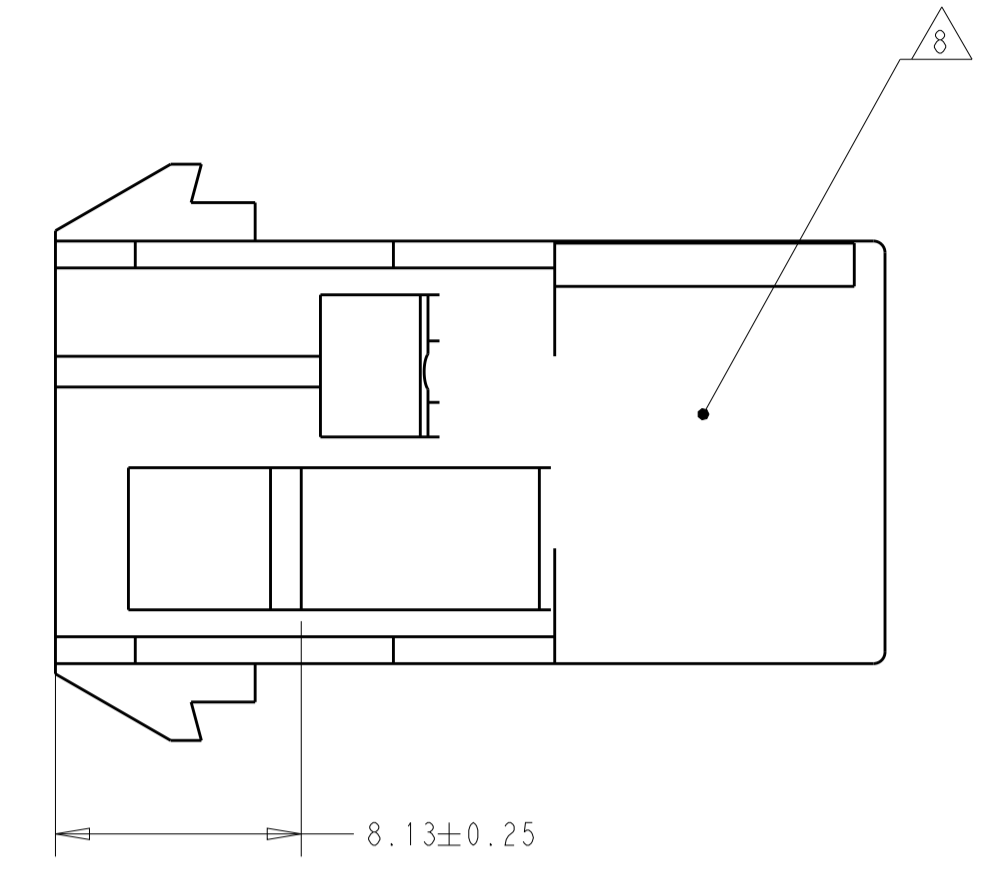
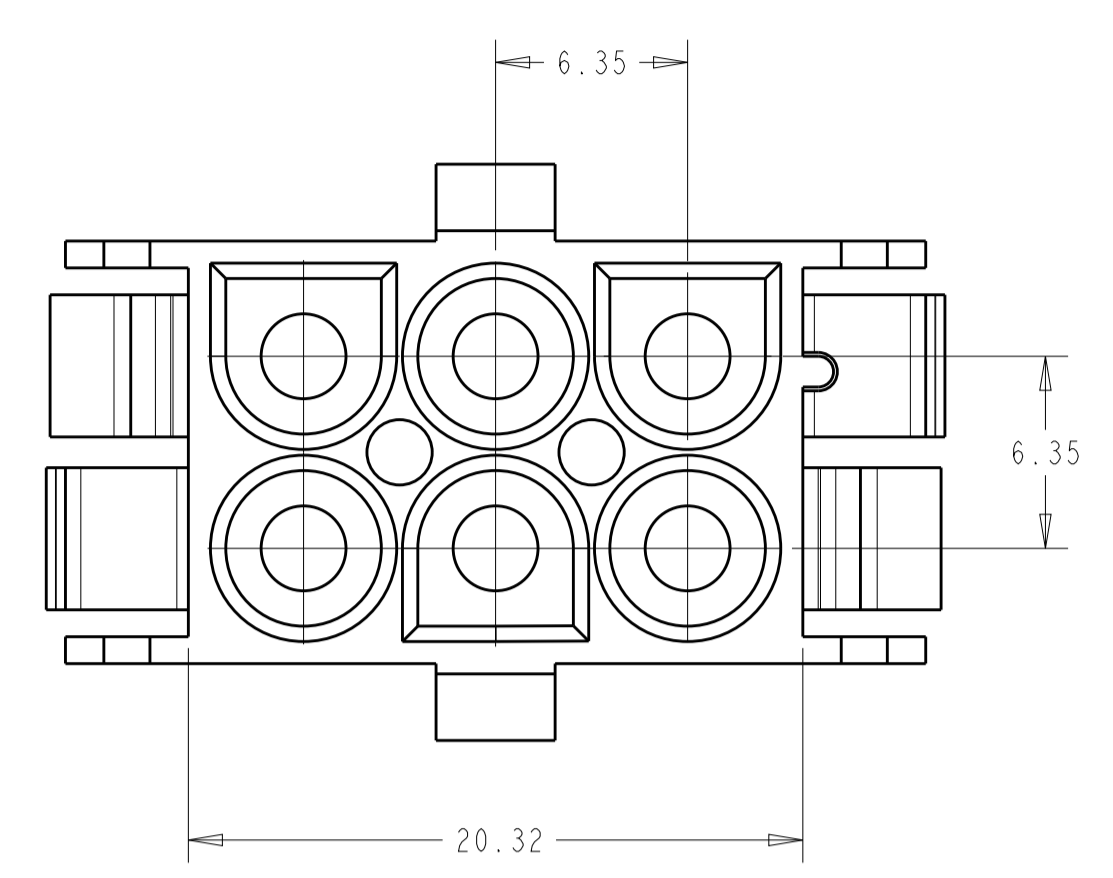
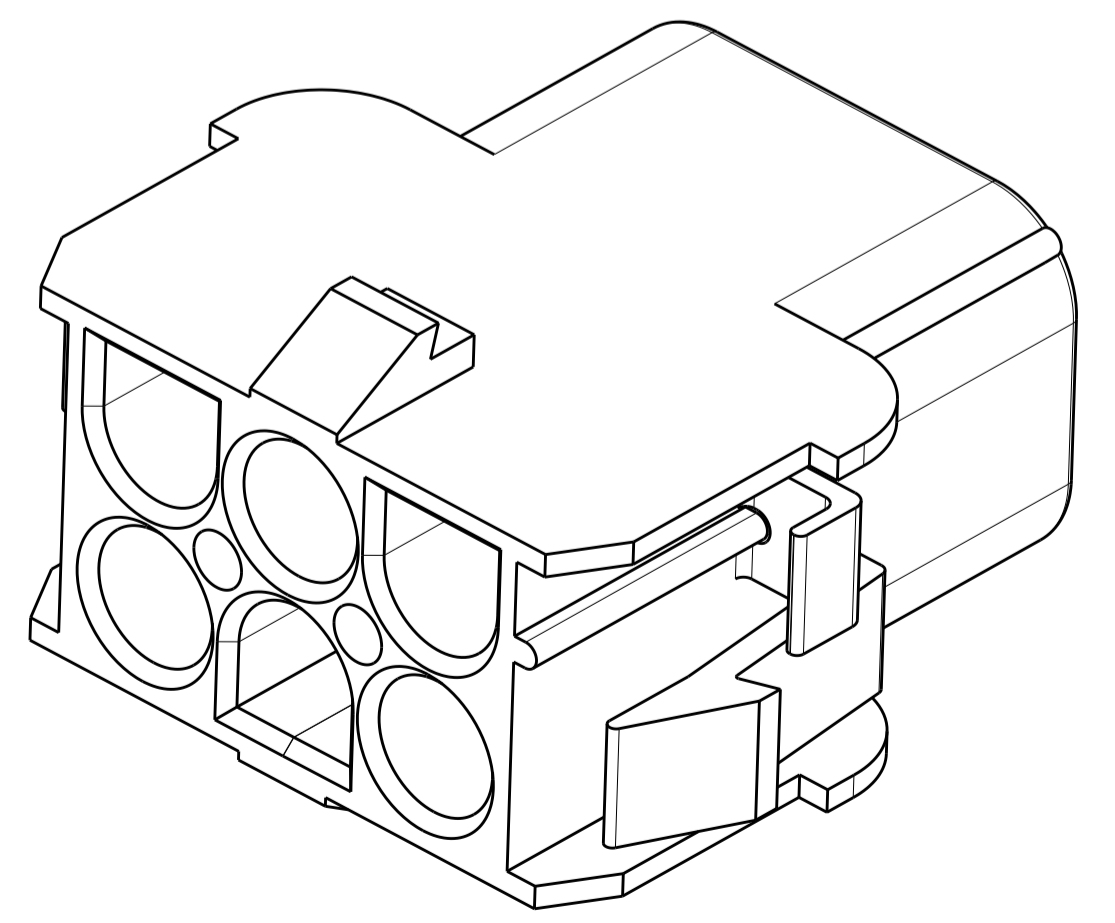
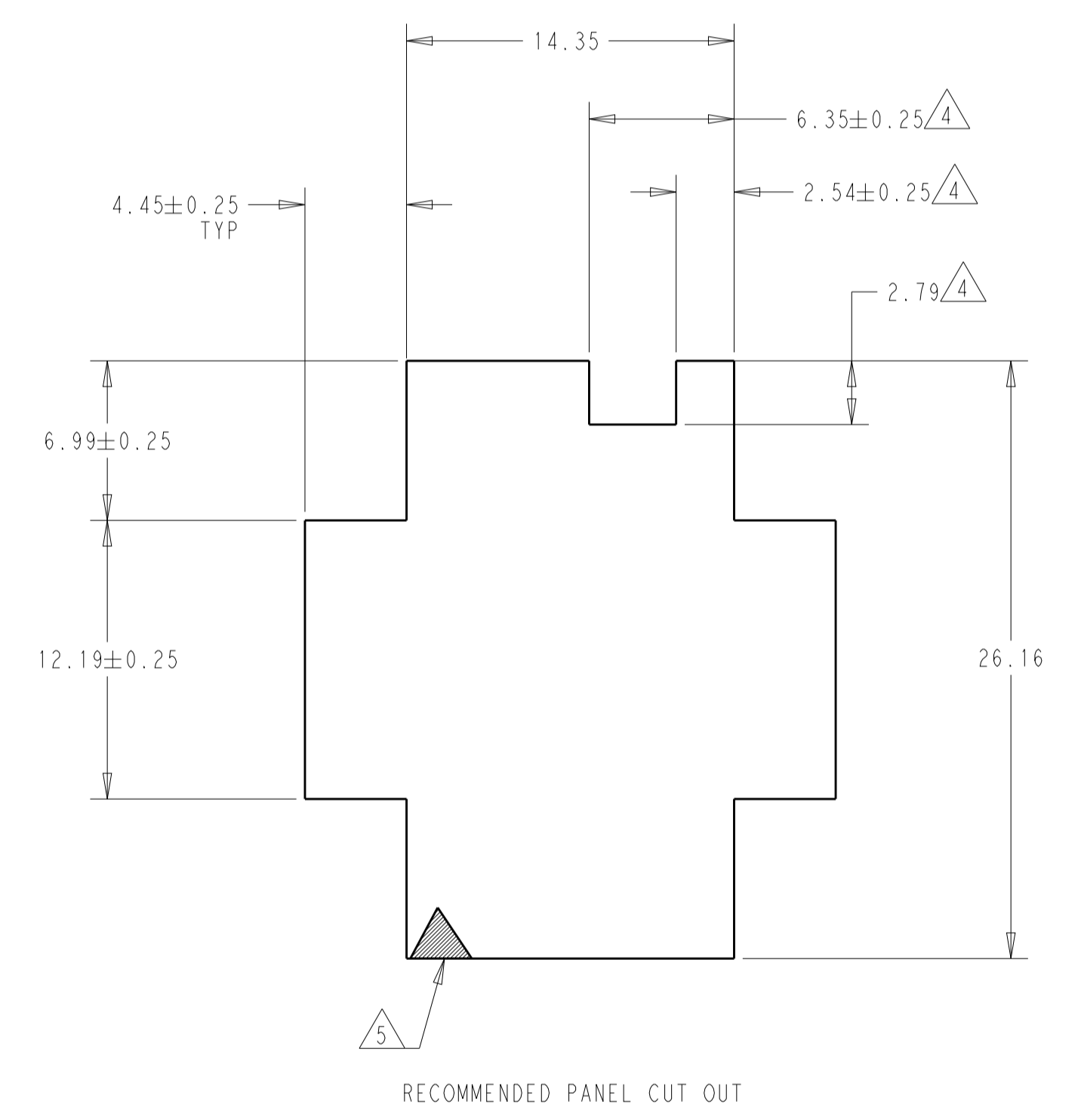
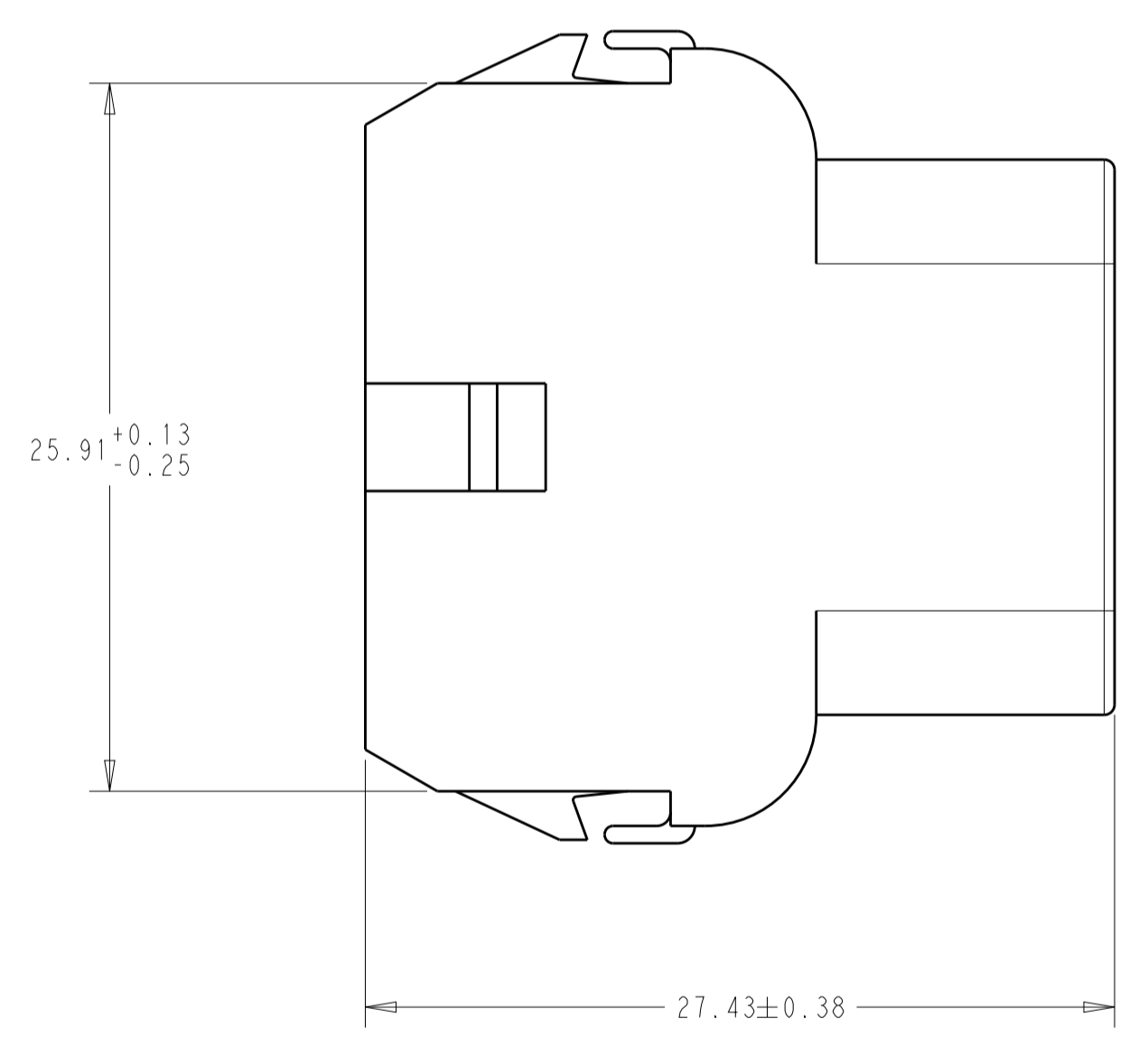
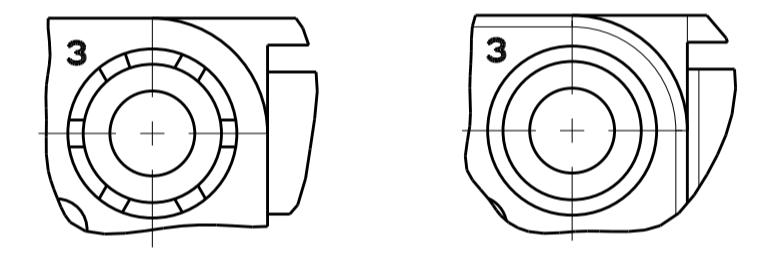


REVISIONS				
P	LTN	DESCRIPTION	DATE	APVD
AP5		REDRAWN PER ECO-19-005708	03MAY2019	BKW SF



1. MATES WITH APPROPRIATE UNIVERSAL MATE-N-LOCK™ PLUG
2. RECOMMENDED PANEL THICKNESS 0.76 - 2.29.
3. PANEL MUST BE PUNCHED SO THAT THE HOUSING ENTERS THE PANEL IN THE SAME DIRECTION AS THE PUNCH.
4. OPTIONAL FOR KEYING HOUSING IN PANEL.
5. CIRCUIT NUMBER 1 LOCATION.
6. DIMENSIONS SHOWN REPRESENT PRODUCT IN DRY, AS MOLDED, CONDITION. ADDITIONAL 2% GROWTH DUE TO SUBSEQUENT MOISTURE ABSORPTION MAY OCCUR AND SHOULD BE ACCOUNTED FOR.
7. FOUR RIBS EQUALLY SPACED, NO SPECIFIC ORIENTATION. NO RIBS OR SIX RIBS EQUALLY SPACED, NO SPECIFIC ORIENTATION, OPTIONAL.
8. UNDERWRITERS RECOGNIZED COMPONENT LOGO AND CSA CERTIFICATION LOGO TO BE LOCATED ONCE EACH ON SIDE OF HOUSING.
9. TRADEMARK LOCATION: AMP OR TE



	BLACK	1-480705-9
9	OBsolete	GRAY 1-480705-8
9	OBsolete	BLUE 1-480705-6
9	OBsolete	GREEN 1-480705-5
	YELLOW	1-480705-4
9	OBsolete	ORANGE 1-480705-3
	RED	1-480705-2
	BROWN	1-480705-1
	NATURAL	1-480705-0
	COLOR	PART NUMBER

THIS DRAWING IS A CONTROLLED DOCUMENT.

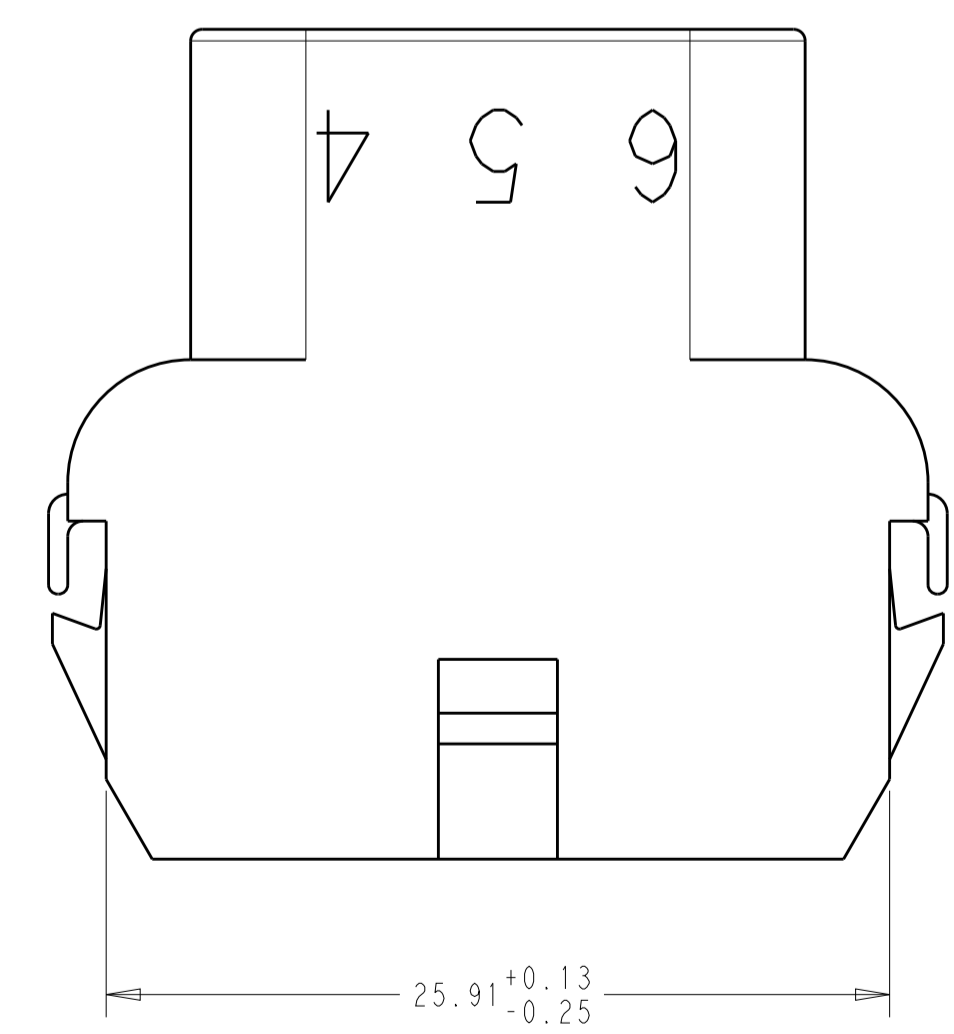
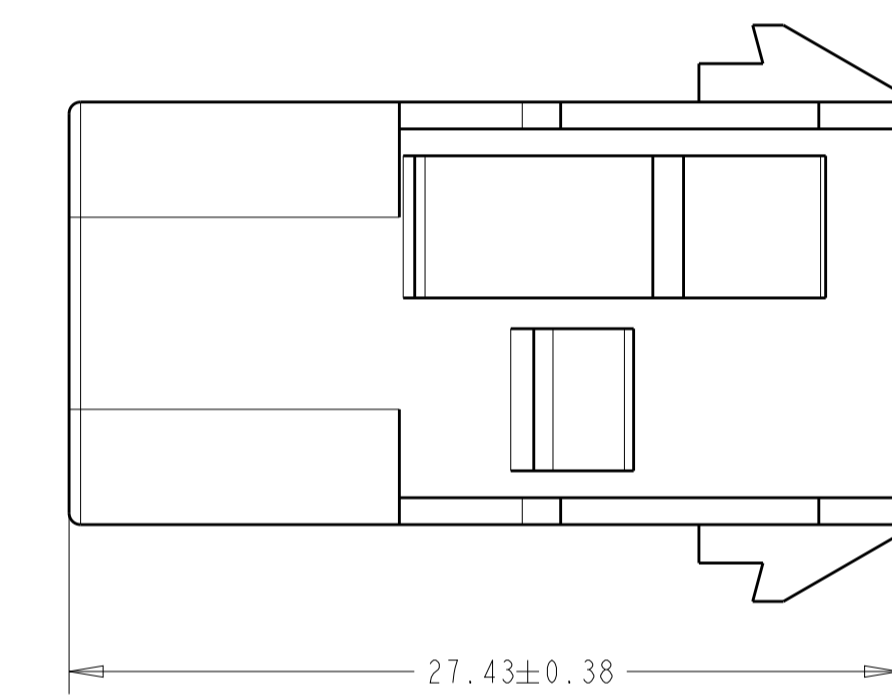
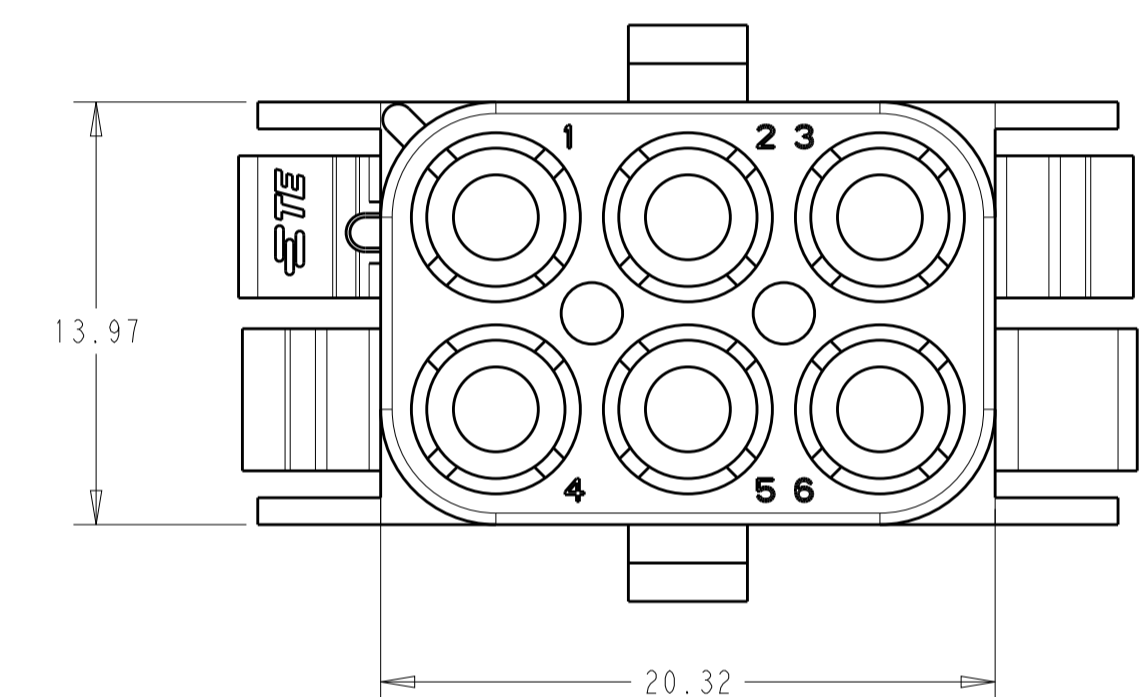
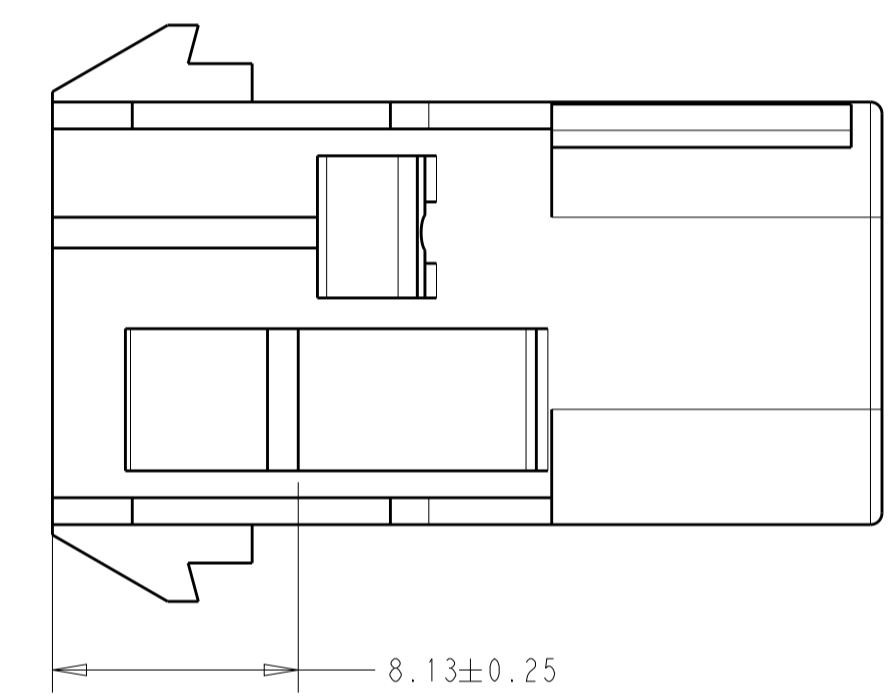
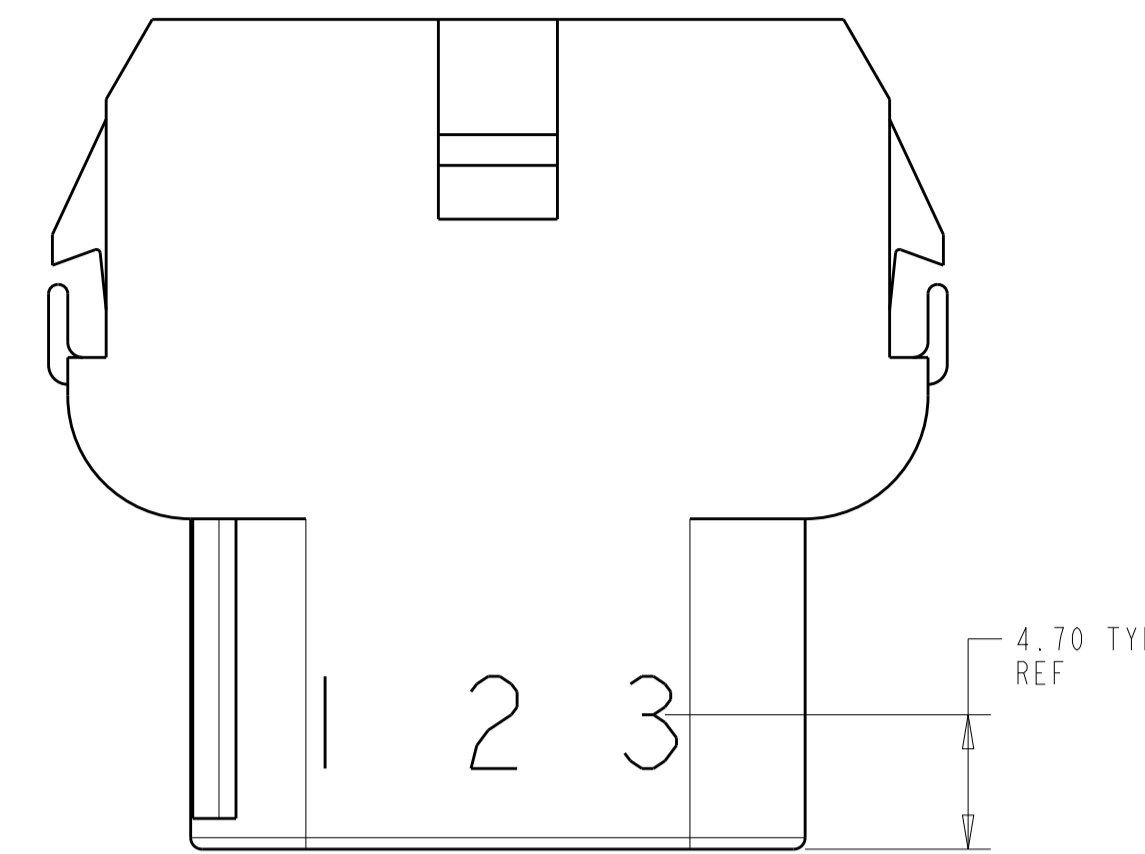
DIMENSIONS:	TOLERANCES UNLESS OTHERWISE SPECIFIED:	APVD	NAME
mm	0 PLC ±	B. WEAVER	CAP, 6 CIRCUIT, UNIVERSAL MATE-N-LOCK
	1 PLC ±0.13	S. FERNANDES	
	2 PLC ±	T. BENCHOFF	
	3 PLC ±		
	4 PLC ±		
	ANGLES ±0°30'		
MATERIAL	FINISH	SIZE	RESTRICTED TO
NYLON		A 00779	
UL 94V-2		480705	
		CUSTOMER DRAWING	

TE Connectivity

SCALE 4:1 SHEET 1 OF 2 REV AP5

REVISIONS				
P.	LTN	DESCRIPTION	DATE	APVD
-	-	SEE SHEET 1	-	-

1. STAMP NUMBERS 3.18 HIGH AT WIRE END OF HOUSING (12 POINT DAVID TYPE); CLARIFICATION MARKS UNDER THE 6 & 9.
2. CHARACTERS TO BE STAMPED ON HOUSING IN A MANNER AS TO BE READ FROM WIRE END ONLY.
3. VIOLET, BLACK, BROWN, AND BLUE COLORED BLOCKS TO BE STAMPED WITH WHITE CHARACTERS; ALL OTHER COLORED BLOCKS TO BE STAMPED WITH BLACK CHARACTERS.



NATURAL	2-480705-0
COLOR	PART NUMBER

THIS DRAWING IS A CONTROLLED DOCUMENT.		DWN: B. WEAVER 03MAY2019	 TE Connectivity	NAME: CAP, 6 CIRCUIT, UNIVERSAL MATE-N-LOK PRODUCT SPEC: - APPLICATION SPEC: - SIZE: A 00779 C=480705 WEIGHT: - CUSTOMER DRAWING
DIMENSIONS:		CHK: S. FERNANDES 03MAY2019		
TOLERANCES UNLESS OTHERWISE SPECIFIED:		APVD: T. BENCHOFF 03MAY2019		
mm 0 PLC ± 1 PLC ± 2 PLC ±0.13 3 PLC ± 4 PLC ± ANGLES ±0°30'		RESTRICTED TO: - SCALE: 4:1 SHEET 2 OF 2 REV: AP5		
MATERIAL: NYLON UL 94V-2		FINISH: -		