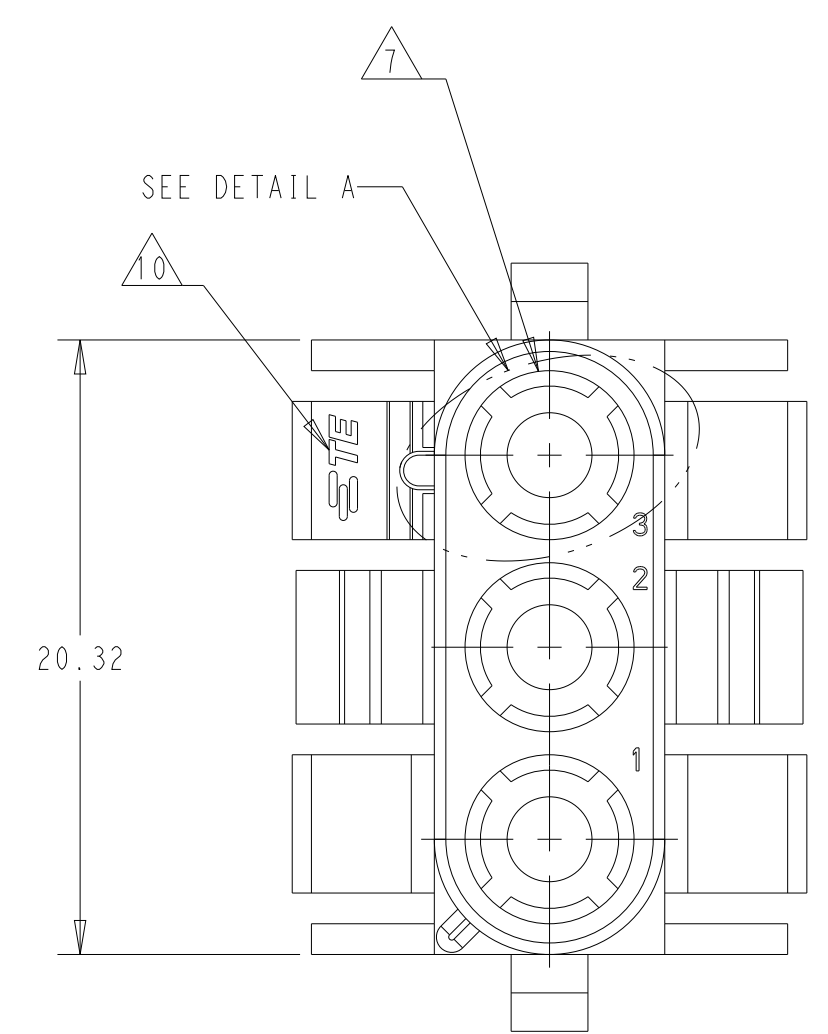
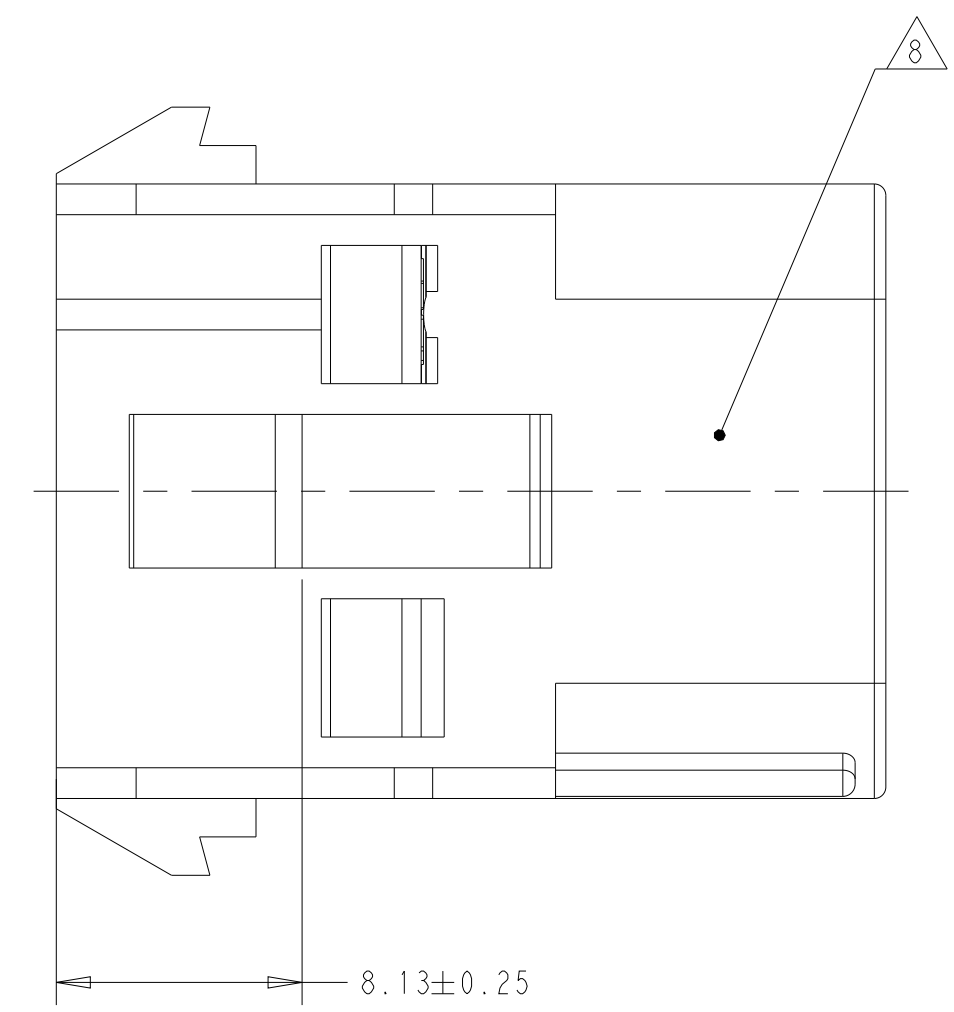
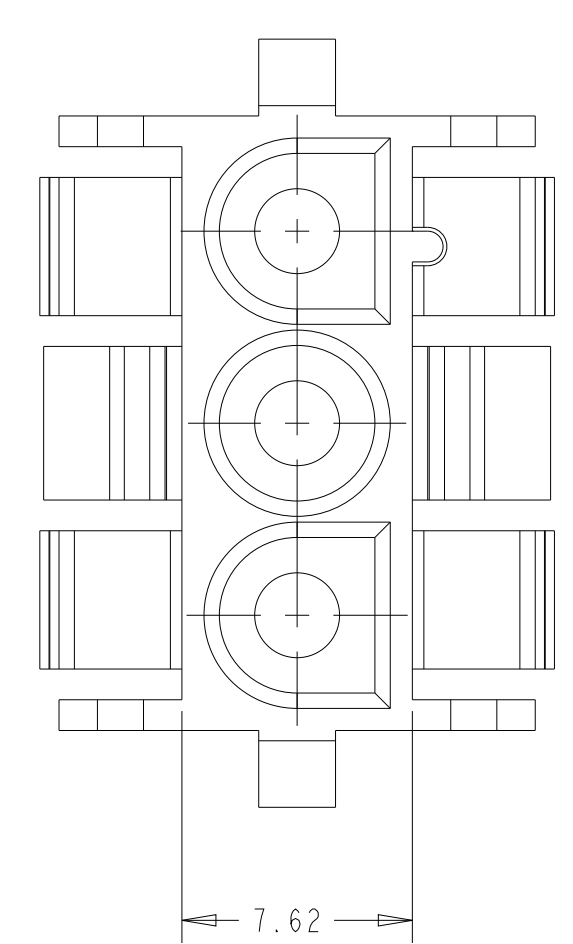
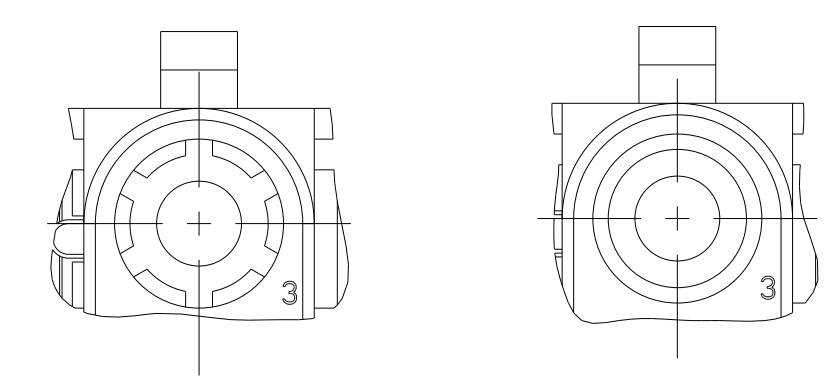


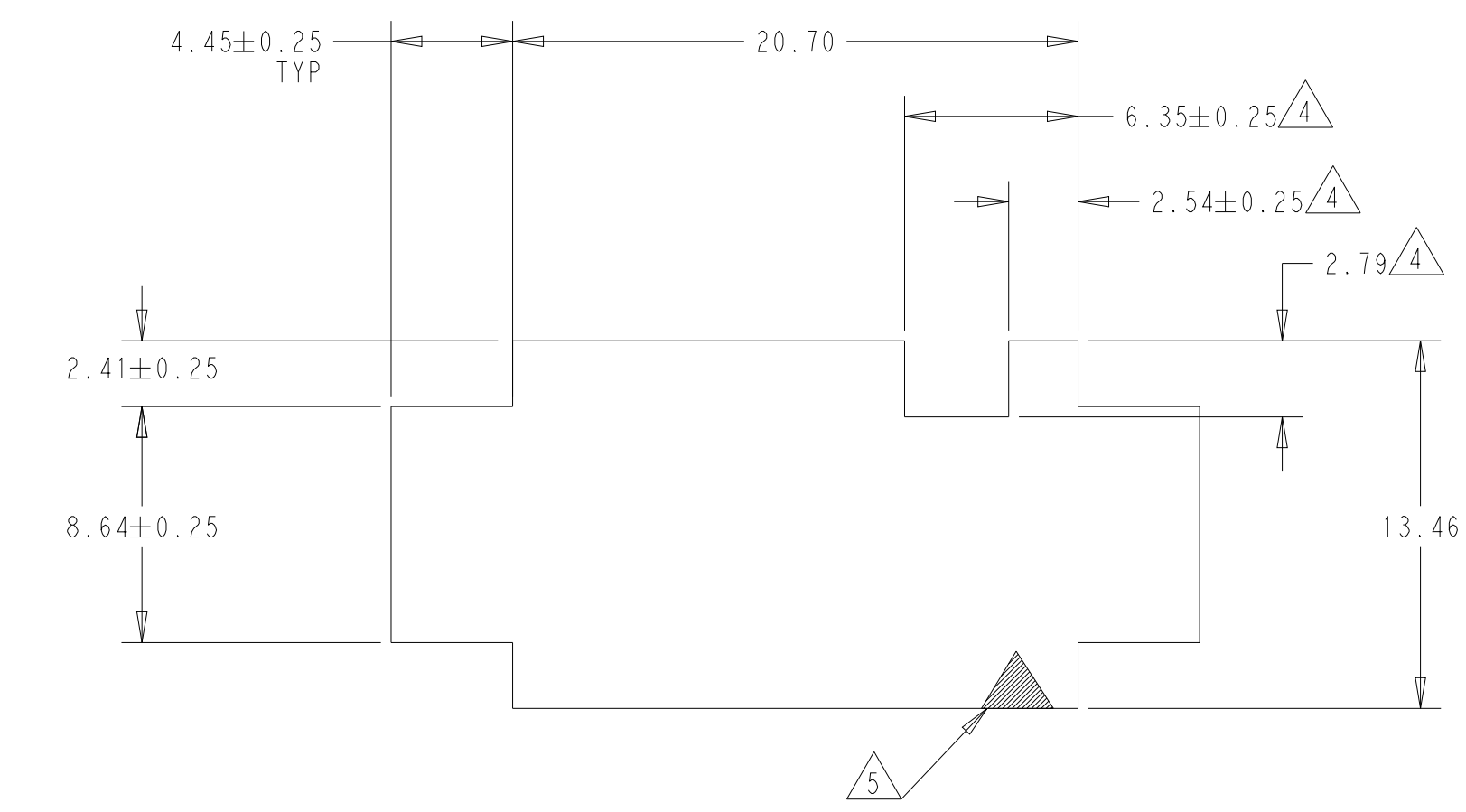
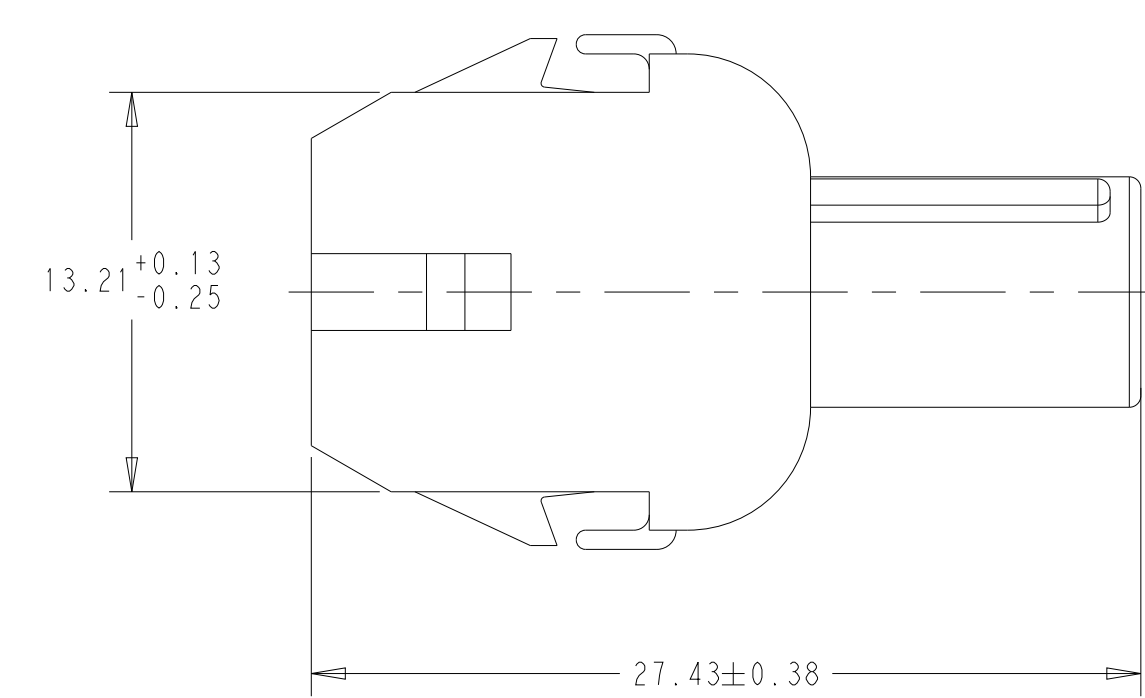
REVISIONS					
P	LTN	DESCRIPTION	DATE	DWN	APVD
ANS		REDRAWN PER ECO-19-005708	01MAY2019	BKW	SF
AP		REVISED PER ECR-24-224423	25OCT2024	AK	BR
AR		REVISED PER ECR-25-231608	24MAR2025	AK	BR



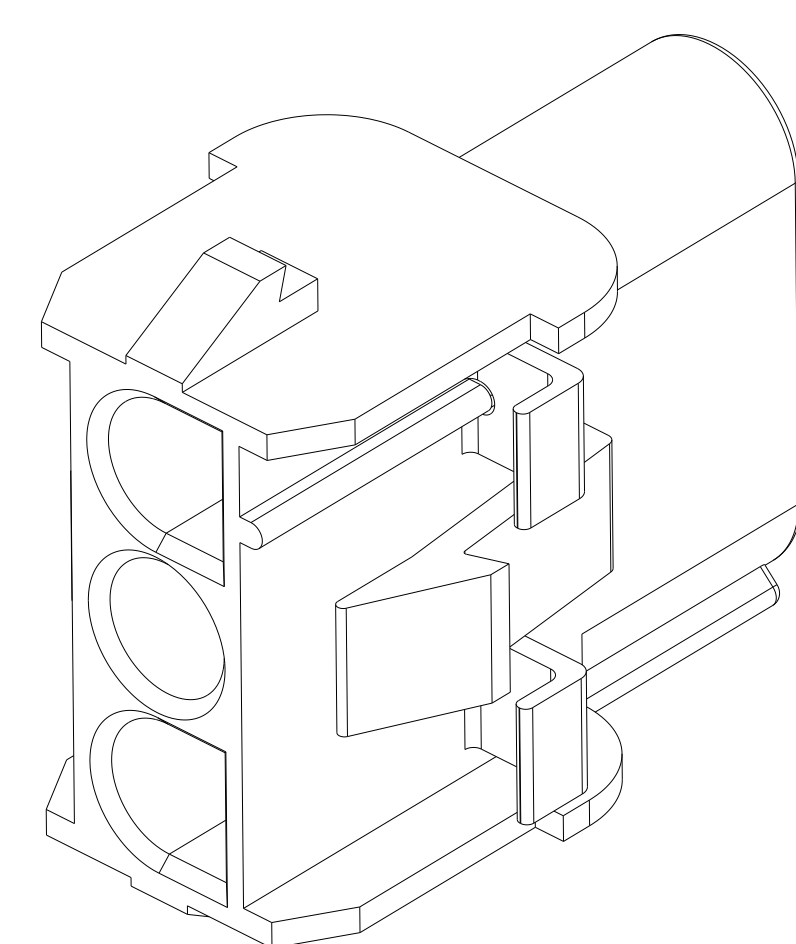
1. MATES WITH APPROPRIATE UNIVERSAL MATE-N-LOCK™ PLUG
2. RECOMMENDED PANEL THICKNESS 0.76 - 2.29.
3. PANEL MUST BE PUNCHED SO THAT THE HOUSING ENTERS THE PANEL IN THE SAME DIRECTION AS THE PUNCH.
4. OPTIONAL FOR KEYING HOUSING IN PANEL.
5. CIRCUIT NUMBER 1 LOCATION.
6. DIMENSIONS SHOWN REPRESENT PRODUCT IN DRY, AS MOLDED, CONDITION. ADDITIONAL 2% GROWTH DUE TO SUBSEQUENT MOISTURE ABSORPTION MAY OCCUR AND SHOULD BE ACCOUNTED FOR.
7. FOUR RIBS EQUALLY SPACED, NO SPECIFIC ORIENTATION. NO RIBS OR SIX RIBS EQUALLY SPACED, NO SPECIFIC ORIENTATION, OPTIONAL.
8. UNDERWRITERS RECOGNIZED COMPONENT LOGO AND CSA CERTIFICATION LOGO TO BE LOCATED ONCE EACH ON SIDE OF HOUSING.
9. OBSOLETE PARTS: OBSOLETE CIS STREAMLINING PER D.RENAUD/D.SINISI
10. TRADEMARK LOCATION: AMP OR TE



DETAIL A
OPTIONAL CONSTRUCTIONS



RECOMMENDED PANEL CUT OUT

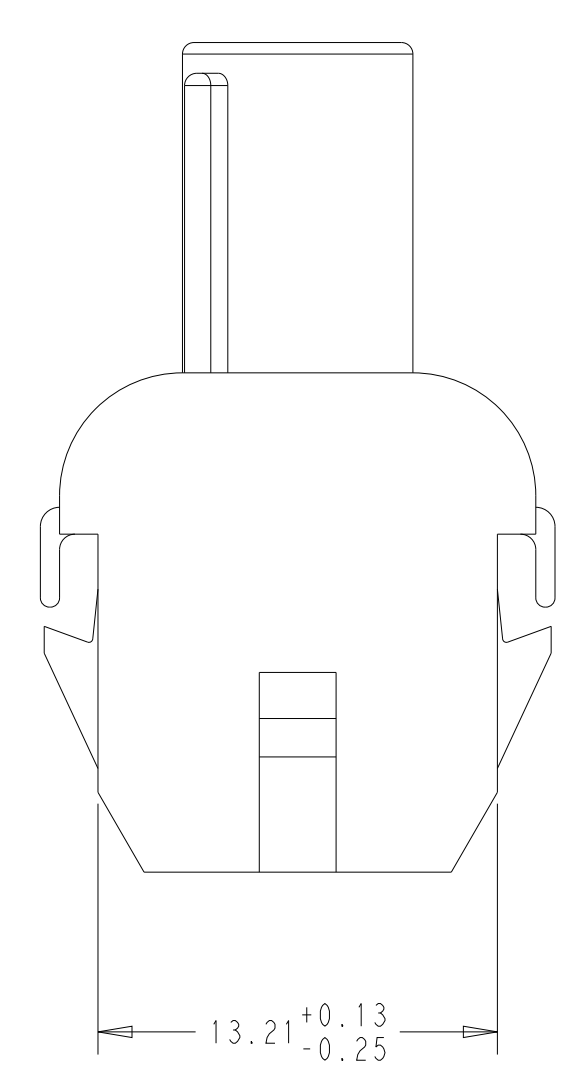
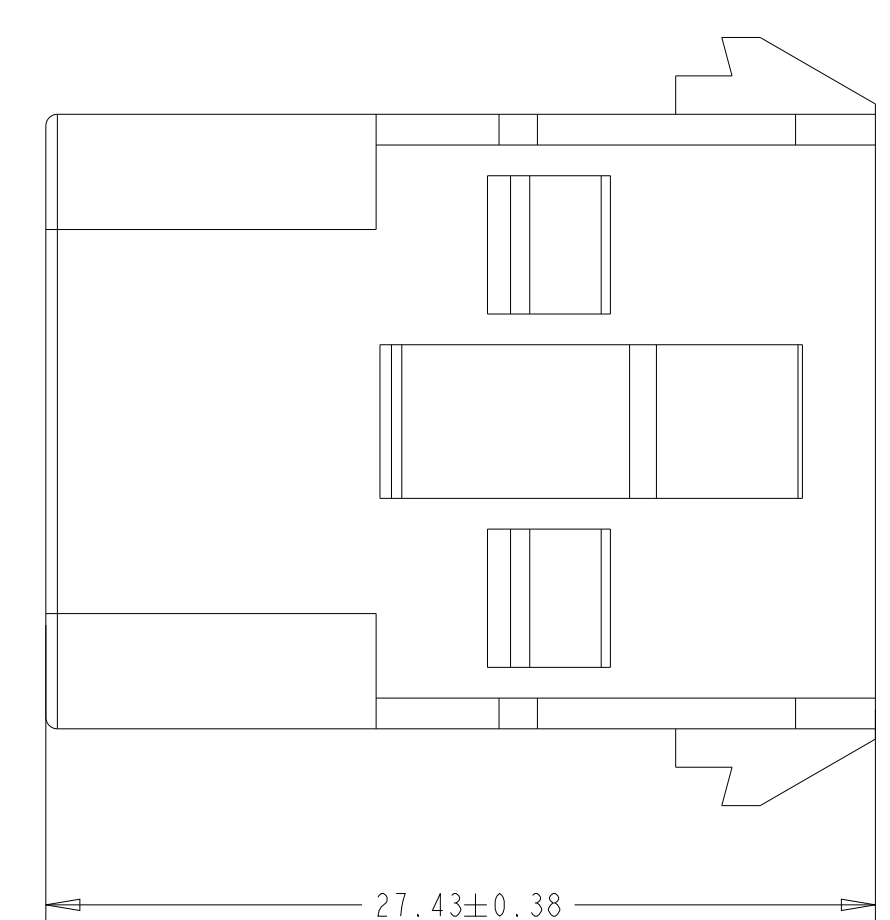
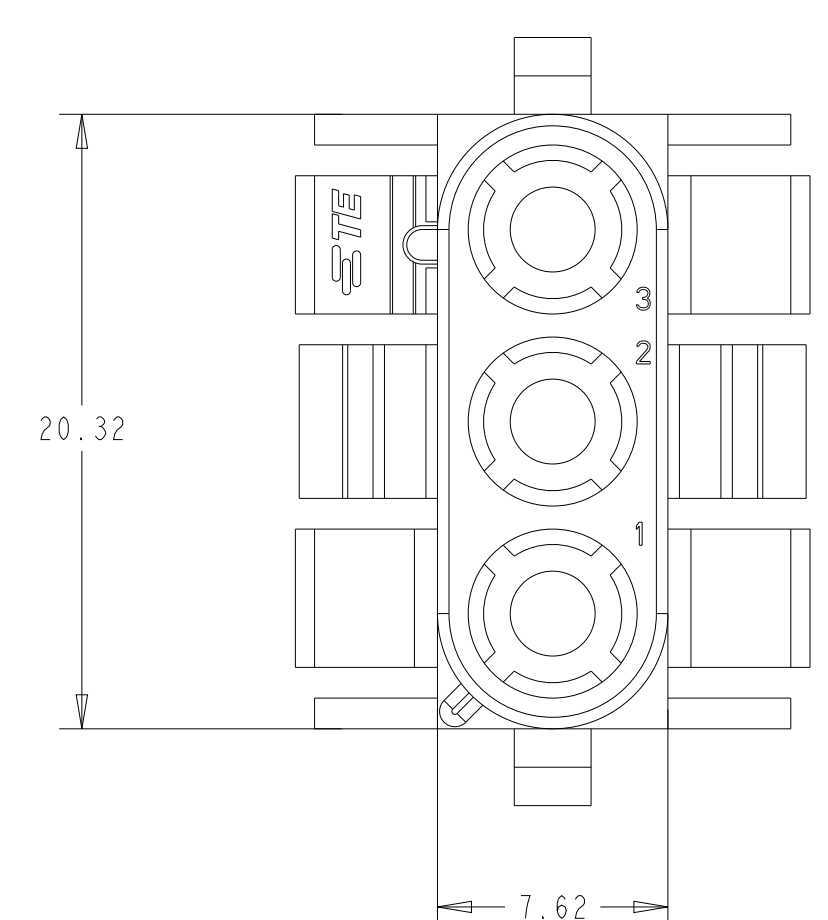
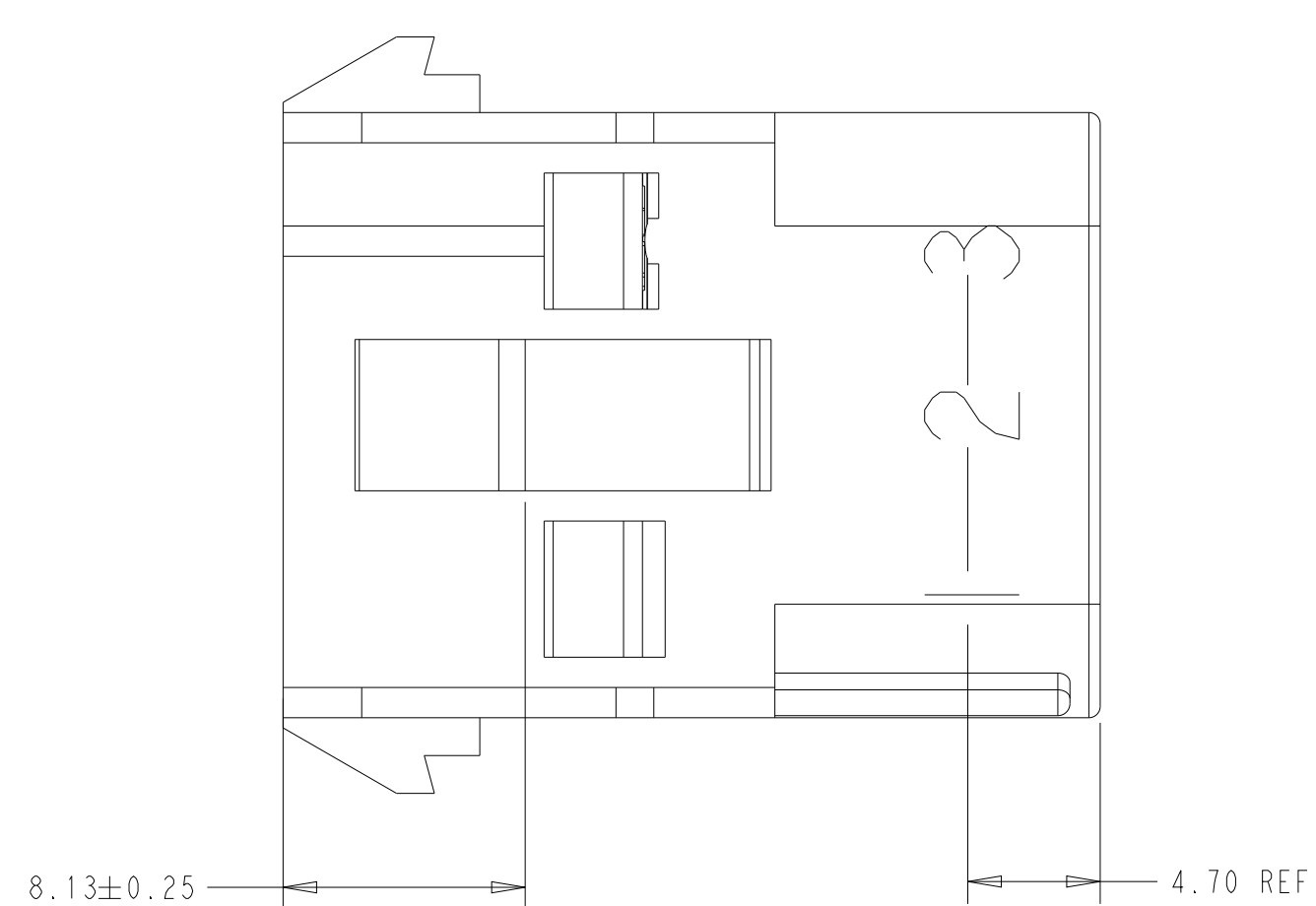
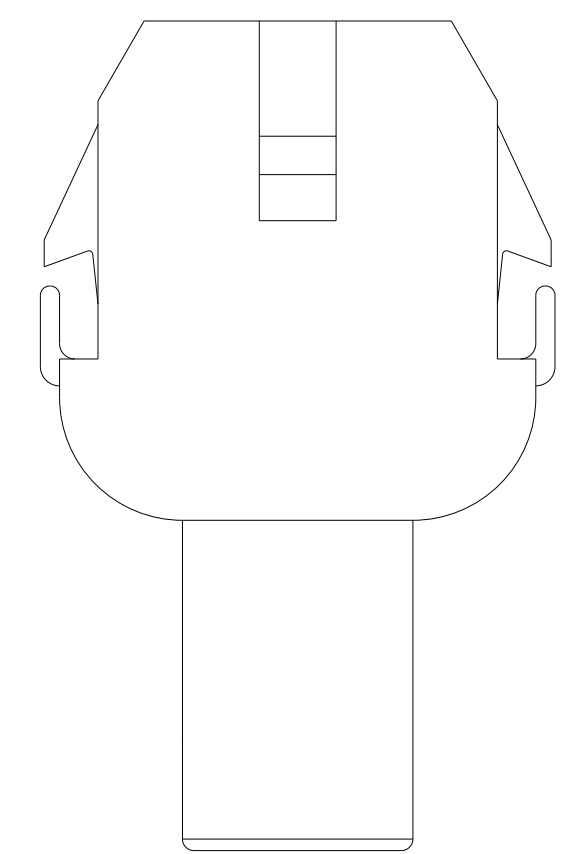


	BLACK	1-480701-9
	GRAY	1-480701-8
OBSOLETE	VIOLET	1-480701-7
	BLUE	1-480701-6
	GREEN	1-480701-5
	YELLOW	1-480701-4
OBSOLETE	ORANGE	1-480701-3
	RED	1-480701-2
	BROWN	1-480701-1
	NATURAL	1-480701-0
	COLOR	PART NUMBER

THIS DRAWING IS A CONTROLLED DOCUMENT.		DWN B. WEAVER 01MAY2019	TE Connectivity	
DIMENSIONS:		CHK S. FERNANDES 01MAY2019	NAME CAP, 3 CIRCUIT, UNIVERSAL MATE-N-LOCK	
TOLERANCES UNLESS OTHERWISE SPECIFIED:		APVD T. BENCHOFF 01MAY2019	SIZE A	
mm	0 PLC ±	PRODUCT SPEC	CAGE CODE	DRAWING NO
	1 PLC ±	APPLICATION SPEC	00779	480701
	2 PLC ±	WEIGHT	SCALE	4:1
	3 PLC ±	CUSTOMER DRAWING	SHEET	1 OF 2
	4 PLC ±		REV	AR
	ANGLES ±			
	FINISH ±			
MATERIAL	NYLON			
	UL94V-2			

REVISIONS				
P	LTN	DESCRIPTION	DATE	APVD
-		SEE SHEET 1	-	-

- MOLD NUMBERS APPROXIMATELY 3mm HIGH AT WIRE END OF HOUSING (12 POINT DAVID TYPE).
- CHARACTERS TO BE MOLDED ON HOUSING IN A MANNER AS TO BE READ FROM WIRE END ONLY.



SUPERSEDED BY 1-480701-0	NATURAL	2-480701-0
	COLOR	PART NUMBER

THIS DRAWING IS A CONTROLLED DOCUMENT.		DWN B. WEAVER 01MAY2019	TE Connectivity	
DIMENSIONS:		CHK S. FERNANDES 01MAY2019	NAME CAP, 3 CIRCUIT, UNIVERSAL MATE-N-LOK	
mm	TOLERANCES UNLESS OTHERWISE SPECIFIED:	APVD T. BENCHOFF 01MAY2019	PRODUCT SPEC	
	0 PLC ±		APPLICATION SPEC	
	1 PLC ±		SIZE CAGE CODE DRAWING NO	
	2 PLC ±		RESTRICTED TO	
	3 PLC ±		A 00779 C=480701	
	4 PLC ±0.13		SCALE 4:1 SHEET 2 OF 2 REV AR	
	ANGLES ±		CUSTOMER DRAWING	
	FINISH ±0°30'			
MATERIAL	NYLON			
	UL94V-2			