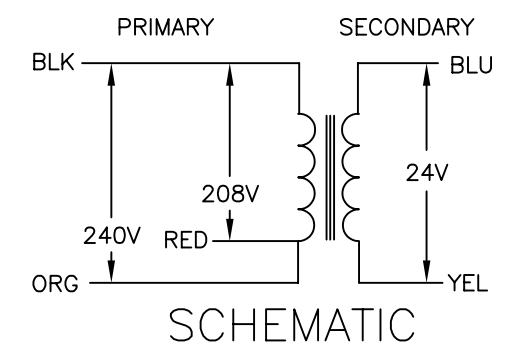
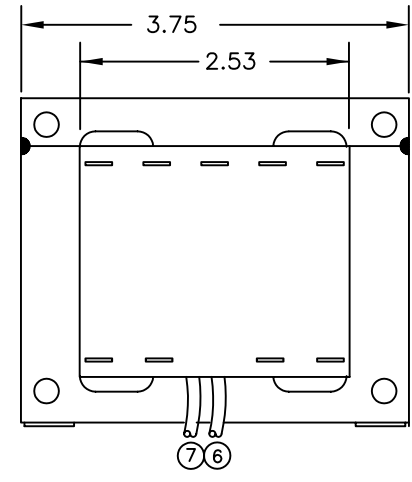
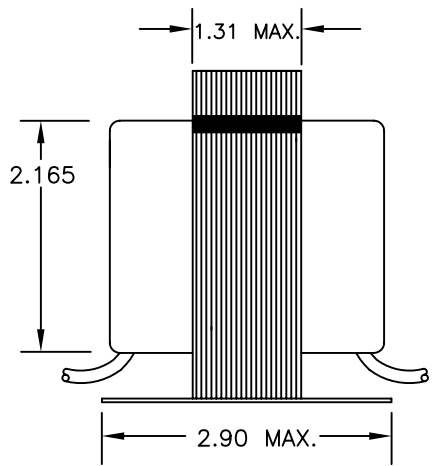
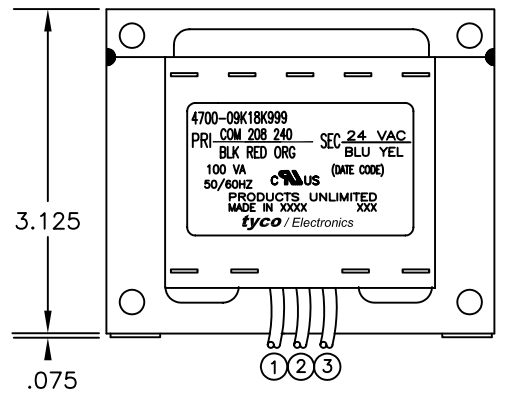


.188 X .375 (TYP.4)

ALL LEADS 18AWG—UNLESS OTHERWISE SPECIFIED					
PRIMARY					
LEAD NO.	1	2	3	4	5
VOLTAGE	COM	208	230		
COLOR	BLK	RED	ORG		
LENGTH	12.0	12.0	12.0		
STRIP LENGTH	.50	.50	.50		

- NOTES
- DIMENSIONS FOR REFERENCE ONLY.
 - ALL LEADS +1"/-0" TOL.
 - STRIP TOL. ±1/32
 - WINDING PROTECTION—NONE

CERTIFICATION: UL/CUL FILE NO. E102980								
SECONDARY								
LEAD NO.	6	7	8	9				
VOLTAGE	24	VAC						
COLOR	BLU	YEL						
LENGTH	12.0	12.0						
STRIP LENGTH	.50	.50						



TYCO PART NUMBER
8-1672104-6

THIS DRAWING IS A CONTROLLED DOCUMENT.		DWN	28OCT03	Tyco Electronics Corporation Harrisburg, PA 17105-3608	
DIMENSIONS: INCHES		CHK	28OCT03		
TOLERANCES UNLESS OTHERWISE SPECIFIED:		APVD	28OCT03		
0 PLC ± - 1 PLC ± - 2 PLC ± .01 3 PLC ± .005 4 PLC ± - ANGLES ± -		HT			
MATERIAL	FINISH	NAME		PRODUCT SPEC	
-	-	APPLICATION SPEC		TRANSFORMER OUTLINE P.U. STOCK	
		SIZE	CAGE CODE	DRAWING NO	RESTRICTED TO
		A3	00779	C=4700-09Z18K999	
CUSTOMER DRAWING				SCALE	1:1
				SHEET	1 OF 1
				REV	A