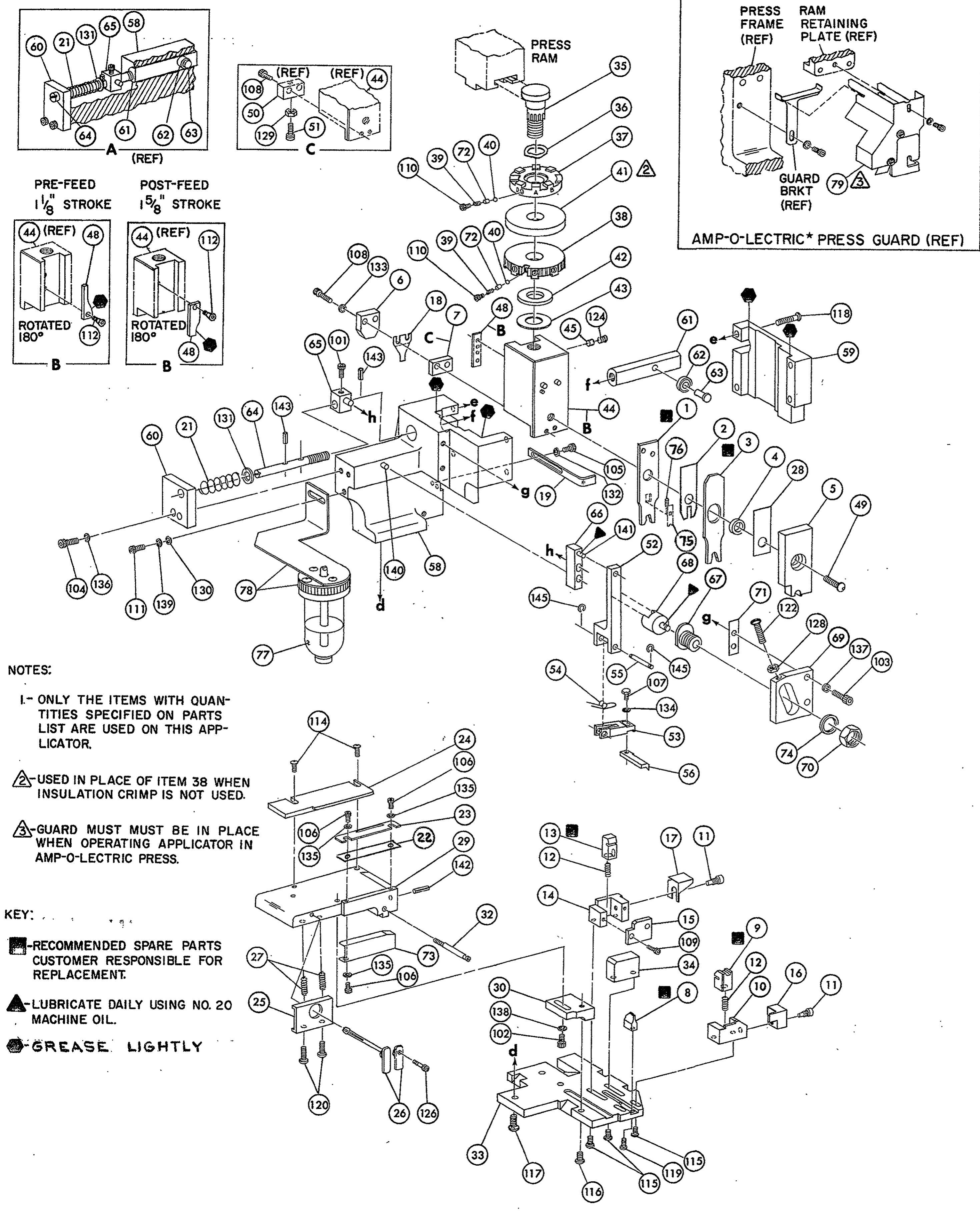


THIS DRAWING IS A CONTROLLED DOCUMENT.



NOTES:

1- ONLY THE ITEMS WITH QUANTITIES SPECIFIED ON PARTS LIST ARE USED ON THIS APPLICATOR.

△ USED IN PLACE OF ITEM 38 WHEN INSULATION CRIMP IS NOT USED.

⊠ GUARD MUST BE IN PLACE WHEN OPERATING APPLICATOR IN AMP-O-LECTRIC PRESS.

KEY:

- RECOMMENDED SPARE PARTS CUSTOMER RESPONSIBLE FOR REPLACEMENT.
- ▲ LUBRICATE DAILY USING NO. 20 MACHINE OIL.
- GREASE LIGHTLY

QTY	PART NO	DESCRIPTION	ITEM NO	QTY	PART NO	DESCRIPTION	ITEM NO
2	21045-3	RING, RETAINING 'C' (.187 DIA) FEED FINGER PIN	145	1	454220-1	CAP, HOUSING	59
			144	1	454485-1	HOUSING	58
2	5-21028-1	PIN, SLOT SPR (.125 DIA X .50) ADJ ROD	143				57
1	4-21028-0	PIN, SLOT SPR (.093 DIA X .75) STR G PLATE	142	1	458537-1	PAWL, FEED	56
1	1-21030-1	PIN, DOWEL (.187 DIA X .50) LEVER	141	1	240624-1	PIN, FEED FINGER	55
1	1-21030-6	PIN, DOWEL (.187 DIA X 1.25) HOUSING	140	1	691499-1	SPRING, FEED FINGER	54
1	21024-5	WASHER, LOCK (NO 10) LUB ASSY	139	1	690541-1	FINGER, FEED	53
1	21024-5	WASHER, LOCK (NO 10) STRIP GUIDE ADJ BLOCK	138	1	455679-2	LEVER, TERMINAL FEED ARM	52
2	21024-5	WASHER, LOCK (NO 10) ADJ PLATE	137			BUMPER, HOLDDOWN	51
2	21024-5	WASHER, LOCK (NO 10) FEED GUIDE ROD	136			SPACER, TONKER	50
3	21057-2	WASHER, LOCK (NO 4) FRONT STRIP GUIDE	135	1	7-21002-9	BOLT, CRIMPER	49
1	21024-4	WASHER, LOCK (NO 8) FEED FINGER	134	1	690602-5	CAM PRE-FEED	1/8 STROKE
1	21024-4	WASHER, LOCK (NO 8) DEPRESSOR	133				47
1	21024-4	WASHER, LOCK (NO 8) STRIPPER	132		459456-1	APPLICATOR, BASIC (SUB ASSY)	46
1	21899-4	WASHER, FLAT (5/16 DIA) SCREW ADJ	131	1	690191-1	PLUG, NYLON	45
1	21899-2	WASHER, FLAT (NO 10) LUB ASSY	130	1	461080-1	RAM	44
1	21068-5	NUT, HEX MACH (6-32) HOLDDOWN	129	1	690125-1	WASHER, LAMINATED	43
1	21068-5	NUT, HEX MACH (6-32) FEED ADJ	128	1	690124-1	WASHER, RAM	42
			127			DISC, SPACER	41
1	22353-8	SCR, SHLD. (.187 DIA X .250 LG) DRAG LEVER	126	2	23241-6	BALL, STEEL	40
			125	2	690170-1	SPRING, COMPRESSION	39
1	21009-2	SCR, SKT SET (1/4-20 X .25) (LOC-WEL) RAM	124	1	690142-1	DISC, INSULATION	38
			123	1	7-690141-8	DISC, WIRE	37
1	3-21064-2	SCR, RD HD MACH (6-32 X 1.50) FEED ADJ	122	1	22480-5	WASHER, SPRING	36
			121	1	690212-1	POST, RAM	35
2	2-21002-9	SCR, BUT HD SKT CAP (10-32 X .75) DRAG	120	1	690786-6	SUPPORT, TERMINAL	34
1	2-21002-9	SCR, BUT HD SKT CAP (8-32 X .38) (LOC-WEL) ANVIL	119	1	458143-1	PLATE, BASE	33
4	2-21002-9	SCR, BUT HD SKT CAP (10-32 X .75) CAP	118	1	690432-3	SCREW, ADJUSTMENT	32
3	2-21002-9	SCR, BUT HD SKT CAP (1/4-20 X .62) HOUSING	117				31
1	2-21002-7	SCR, BUT HD SKT CAP (10-32 X .50) SG ADJ BLOCK	116	1	455689-1	BLOCK, STRIP GUIDE ADJ	30
4	2-21002-2	SCR, BUT HD SKT CAP (8-32 X .50) SHEAR	115	1	458144-1	PLATE, STRIP GUIDE	29
2	2-21002-2	SCR, BUT HD SKT CAP (8-32 X .50) R STRIP GUIDE	114	1	455888-1	SPACER, FRONT SHEAR DEPRESSOR	28
			113	2	1-22284-0	SPRING, DRAG	27
1	1-21002-7	SCR, BUT HD SKT CAP (6-32 X .38) CAM	112	1	240793-1	LEVER, DRAG RELEASE	26
3-21000-4	SCR, SKT HD CAP (10-32 X .38) LUBRICATOR ASSY	111	1	240792-1	DRAG, STOCK	25	
2	23030-1	SCR, SKT HD CAP (6-32 X .25) (LOC-WEL) CP DISC	110	1	5-690440-0	GUIDE STRIP (REAR)	24
			109	1	690438-1	GUIDE, STRIP (FRONT)	23
			108	1	463157-1	SPACER - FRONT STRIP GUIDE	22
1	2-22603-0	SCR, HEX HD MACH (8-32 X .31) FEED FINGER	107	1	4-22284-9	SPRING, FEED RETURN	21
3	1-21000-3	SCR, SKT HD CAP (4-40 X .25) F STRIP GUIDE	106				20
1	2-21000-7	SCR, SKT HD CAP (8-32 X .50) STRIPPER	105	1	463588-1	STRIPPER	19
2	3-21000-7	SCR, SKT HD CAP (10-32 X .75) FEED ROD GUIDE	104			HOLDER, TERMINAL	18
2	3-21000-6	SCR, SKT HD CAP (10-32 X .62) FEED ADJ BLOCK	103			GUARD, CHIP (REAR)	17
1	3-21000-4	SCR, SKT HD CAP (10-32 X .38) SG ADJ BLOCK	102		691667-1	GUARD, CHIP (FRONT)	16
1	3-21000-4	SCR, SKT HD CAP (10-32 X .38) PIVOT BLOCK	101			PLATE, SHEAR (REAR)	15
1	455755-7	GUARD ASSY	79			HOLDER, SHEAR (REAR)	14
1	1-465184-0	LUBRICATOR ASSY	78			SHEAR, FLOAT (REAR)	13
		OIL, LUBRICATING	77	1	5-22280-0	SPRING, SHEAR	12
1	1-22278-8	SPRING	76	1	690461-7	STOP, SHEAR	11
1	461426-3	DEPRESSOR - WIRE	75	1	1-690459-0	HOLDER, SHEAR (FRONT)	10
1	458109-1	WASHER, SPECIAL	74	1	454276-5	SHEAR, FLOAT (FRONT)	9
1	454877-3	PLATE, STRIP GUIDE COVER	73	1	1-454356-0	ANVIL	8
2	690603-1	SPRING, ASSIST	72			SPACER, DEPRESSOR (REAR)	7
1	690517-1	SPACER	71			DEPRESSOR, SHEAR (REAR)	6
1	22594-8	NUT, HEX	70	1	1-455889-0	DEPRESSOR, SHEAR (FRONT)	5
1	240628-1	PLATE, ADJUSTMENT	69	1	2-238011-6	SPACER, TUBULAR, INS CRIMPER	4
1	240626-1	SHAFT, PIVOT	68	1	7-456135-5	CRIMPER, INSULATION	3
1	240633-1	BUSHING	67	1	693184-5	SPACER, CRIMPER	2
1	455680-1	LEVER, INTERMEDIATE	66	1	463281-1	CRIMPER, WIRE	1
1	240629-1	BLOCK, PIVOT	65				
1	240632-2	SCREW, ADJUSTMENT FEED ROD	64				
1	240659-3	PIN, CAM ROLLER	63				
1	240658-1	ROLLER, CAM	62				
1	454398-2	ROD, FEED	61				
1	454178-1	GUIDE, FEED ROD	60				

REMARKS		NO	REV
APPL USED ON MACHINE PART NO		TO APPLY TERMINAL	
CUSTOMER NAME		DISTRIBUTION	
ADDRESS		ORIGINAL	
CITY		CUSTOMER COPY	
		FIELD ENG COPY	

CRIMPING DATA				APPLICATOR WILL APPLY	
PAD LTR	CRIMP HEIGHT	WIRE SIZE	WIRE STRIP LENGTH	FLAG RING	ITEM NO
A	.170	RG 59		RING	226621
B	NOT USED			TAB	226623
C	NOT USED				226855
D	NOT USED				
CRIMP	SIZE	TYPE	FEED	APPL INST	
WIRE	204	F			
INSUL	272	O	.850	A1 8025	
WIRE RANGE OVER SHIELD .170-.180		INSULATION RANGE PRESS NO		225.245 565435-5	
REMARKS					
AMP-O-LECTRIC PRE-FEED					
5/16					

<p>F4 ECR-06-000171</p> <p>F3 0150-9606-99</p> <p>F2 0150-8509-98</p> <p>F1 0150-6784-96</p>	<p>CEM 1/06</p> <p>NYE 9-99</p> <p>WJ 5/88</p> <p>NY 8/12</p>	<p>7-95 SET UP GAGE</p> <p>8-93 458637-1 875</p> <p>11-88 DR BENNY APR 19-76</p> <p>12-78 REV PER ECN R2708</p> <p>12-17 REV PER ECN R2283</p> <p>12-17 REV PER ECN R1847</p> <p>12-17 REV PER ECN R1790</p>	<p>AMP INCORPORATED Harrisburg, Pa.</p> <p>AMP</p> <p>NO 466540-1</p> <p>MINIATURE QUICK CHANGE APPLICATOR</p> <p>SIDE FEED (COAXIAL RING - PICK TYPE)</p> <p>CUSTOMER AND ASSEMBLY DRAWING</p>
--	---	--	---