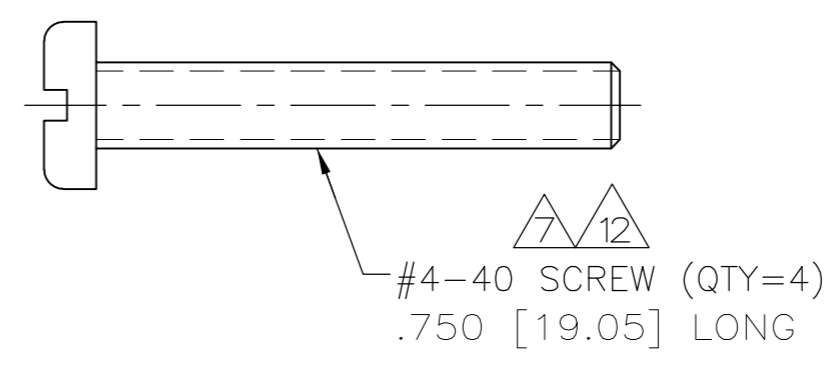
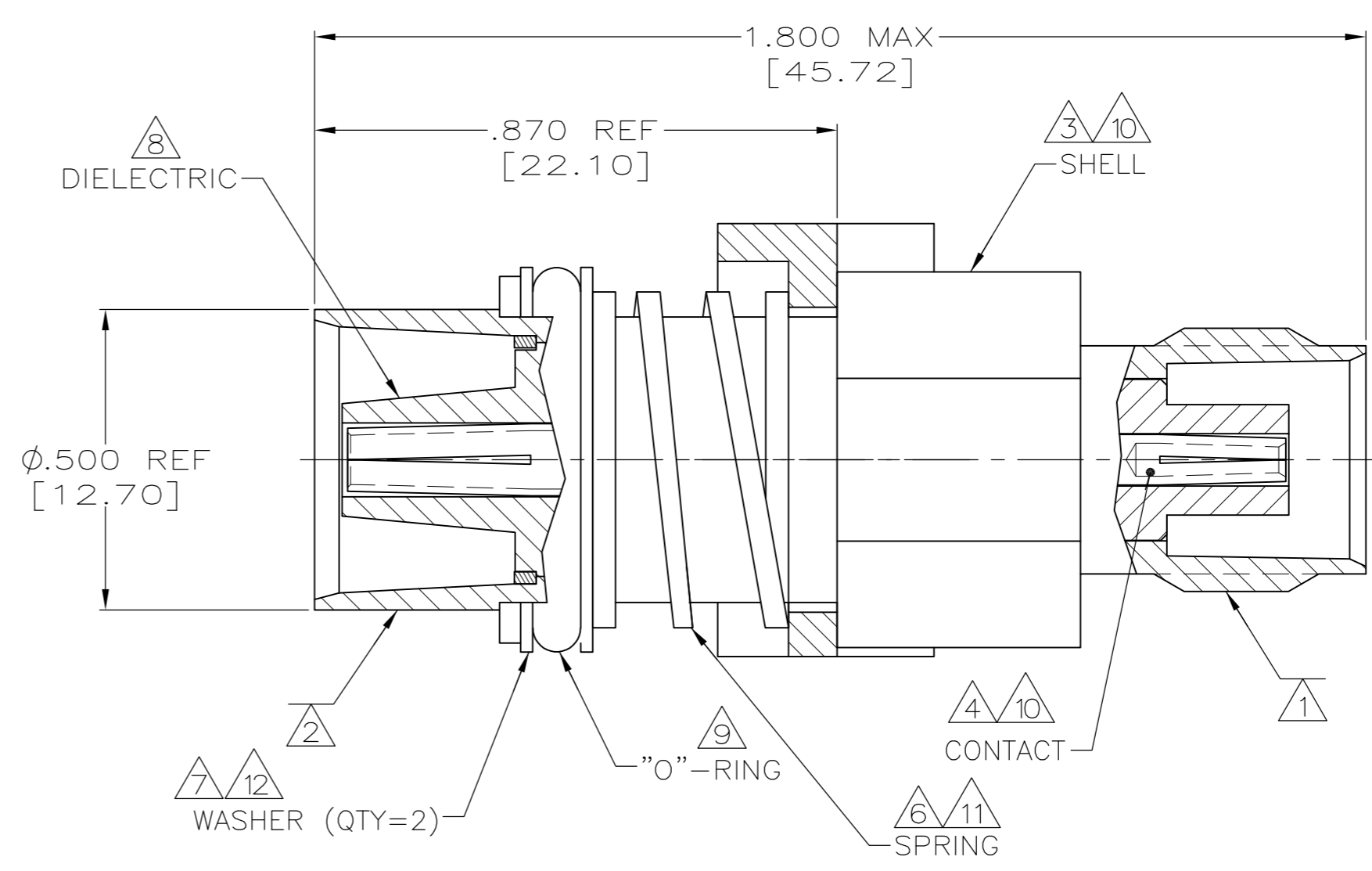
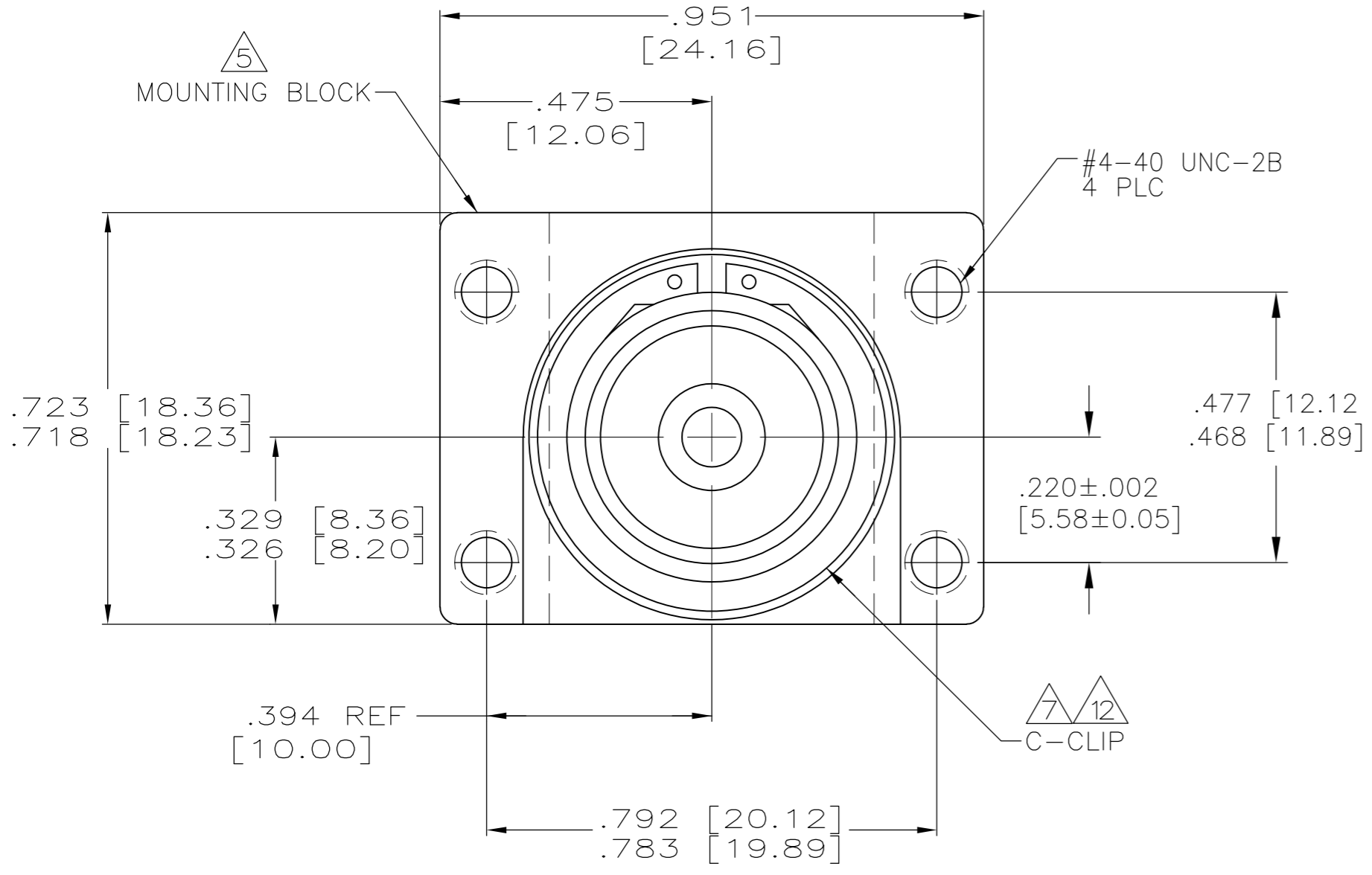


THIS DRAWING IS UNPUBLISHED. RELEASED FOR PUBLICATION
 © COPYRIGHT - TE Connectivity ALL RIGHTS RESERVED.

REVISIONS				
P	LTR	DESCRIPTION	DATE	APVD
A		REV PER ECO 17-005931	5-4-17	CT MS



- ① PRODUCT WILL MEET MIL-C-39012, SERIES TNC 50 OHMS DIMENSIONS.
- ② PRODUCT WILL MEET 39029/98 SIZE 1 COAX DIMENSIONS.
- ③ BRASS PER ASTM-B-16.
- ④ BERYLLIUM COPPER PER ASTM-B-196.
- ⑤ ALLUMINUM ALLOY PER QQ-A-225/6.
- ⑥ MUSIC WIRE
- ⑦ STAINLESS STEEL PER QQ-S-766.
- ⑧ PTFE PER ASTM-D-1710.
- ⑨ FLUOROSILICONE PER ZZ-R-765.
- ⑩ GOLD PLATED PER MIL-G-45204, TYPE II, CLASS I OVER NICKEL PER QQ-N-290.
- ⑪ CADMIUM PLATED PER QQ-P-416, TYPE II, CLASS 2.
- ⑫ PASSIVATED PER QQ-P-35
- ⑬ ANODIZED PER MIL-A-8625.
- ⑭ CHROMATE PER MIL-C-5541, CLASS 3, TYPE II.

⑭	449908-2
⑬	449908-1
FINISH	PART NO.

THIS DRAWING IS A CONTROLLED DOCUMENT.		DWN C.C.THOMAS 9-1-94		
		CHK C.SHELLY 9-9-94		
DIMENSIONS: INCHES		APVD -	NAME	
TOLERANCES UNLESS OTHERWISE SPECIFIED:		PRODUCT SPEC -	CONTACT, RECEPTACLE, SIZE 1 TO TNC ADAPTOR	
0 PLC ± - 1 PLC ± - 2 PLC ± - 3 PLC ± .002 [0.05] 4 PLC ± - ANGLES ± -		APPLICATION SPEC -	SIZE CAGE CODE DRAWING NO	
MATERIAL SEE CALLOUTS		WEIGHT 0.000000	A2 00779	RESTRICTED TO
FINISH SEE CALLOUTS		CUSTOMER DRAWING	SCALE 4:1	SHEET 1 OF 1
			REV A	