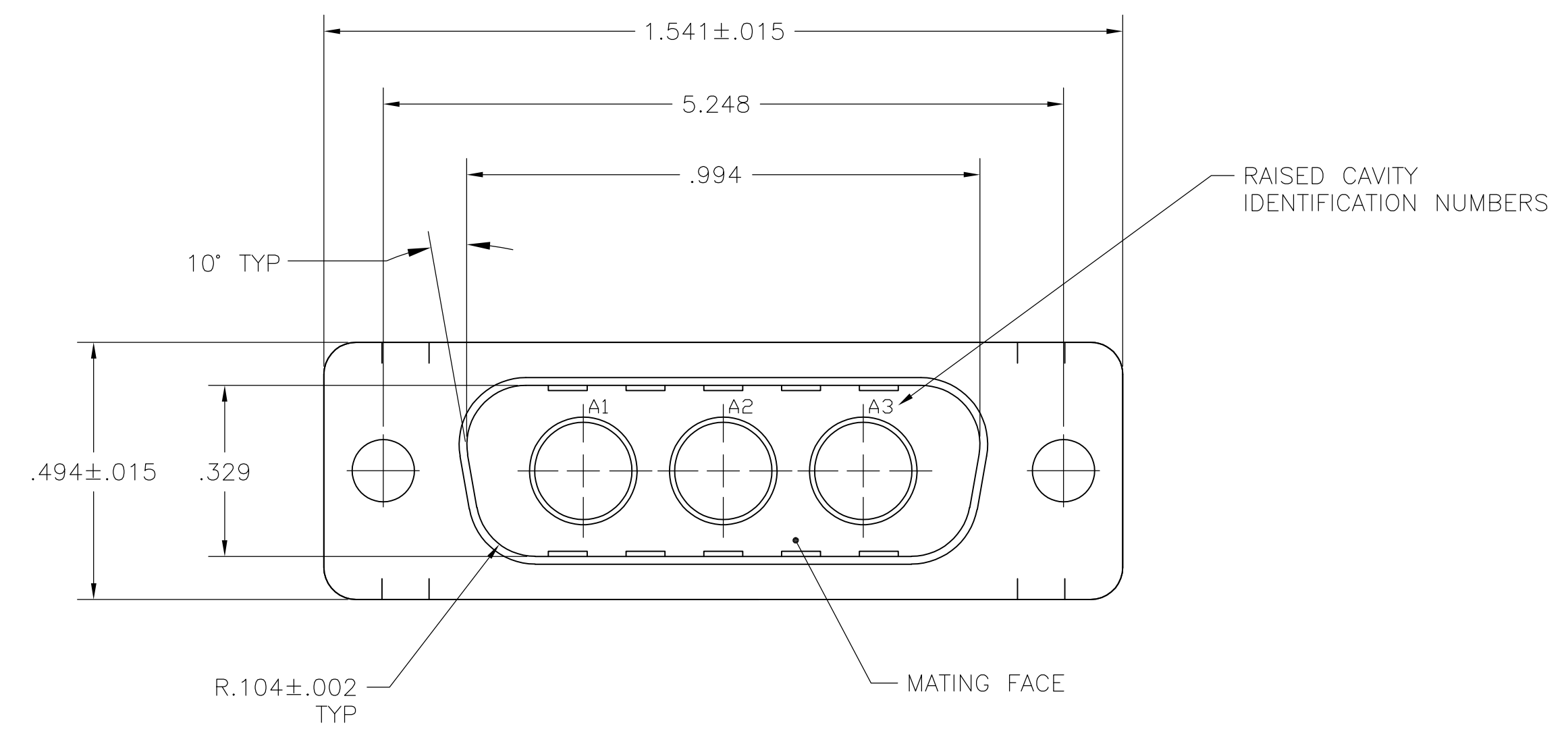
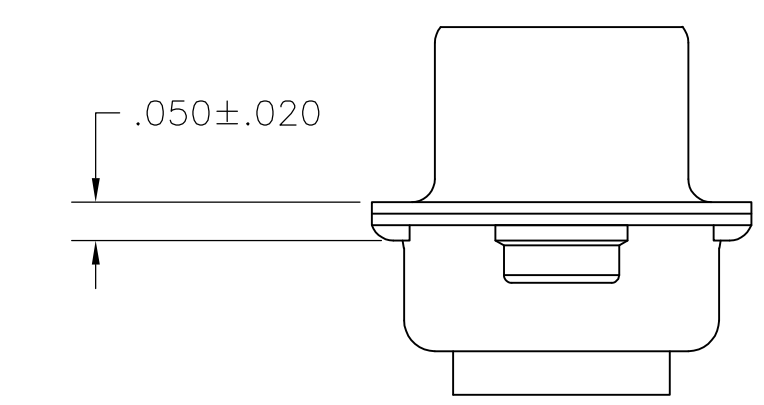
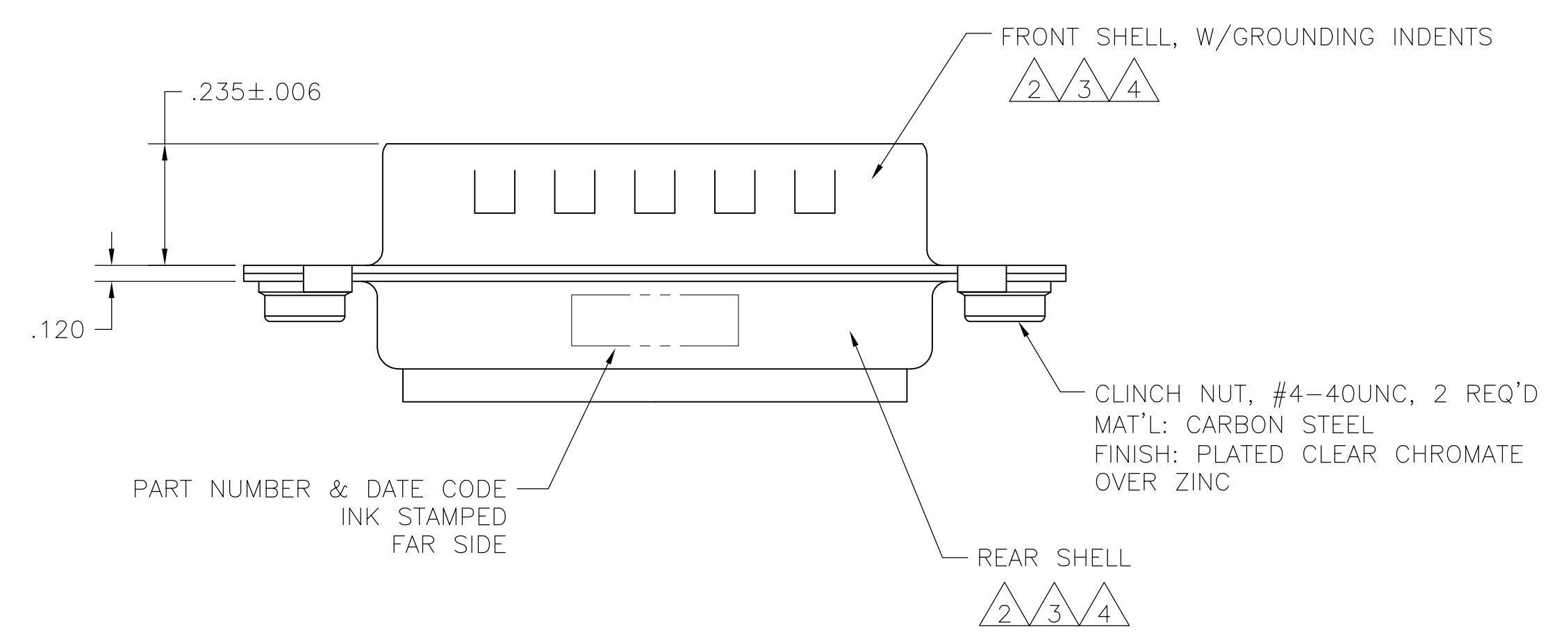


LOC		DIST		REVISIONS			
DF	DO	REV	DATE	BY	CHK	APPV	
C		1	21-03-09	CT	RL		



- THIS PLUG WILL MATE WITH ANY 3C3, SIZE 2 RECEPTACLE IN AMPLIMITE SERIES.
- STEEL, CLASS G PER ASTM-A-109.
- FINISH: TIN PER ASTM-B-545 .000200 MIN THK OVER COPPER PER AMS2418 .000100-.000200 THK.
- FINISH: TIN PER ASTM-B-545 .000200 MIN THK OVER COPPER PER AMS2418 .000100-.000200 THK.



PRELIMINARY NOT RELEASED FOR PRODUCTION	2 4	5-449579-1
RESTRICTED	-	449579-2
	2 3	449579-1
REMARKS		PART NO.

THIS DRAWING IS A CONTROLLED DOCUMENT.		DWG: AJ GRAFF 15MAY93	Tyco Electronics Corporation Harrisburg, PA 17105-3608	
DIMENSIONS: INCHES		CHK: F KINSEY 20MAY93	NAME: F KINSEY 20MAY93	
TOLERANCES UNLESS OTHERWISE SPECIFIED:		PRODUCT SPEC: PLUG ASS'Y, AMPLIMITE 3C3 SIZE 2, SERIES 109 W/GROUNDING INDENTS		
0. PLC ± -	1. PLC ± -	APPLICATION SPEC: -		
2. PLC ± -	3. PLC ± .005(0.13)	SIZE: A1 00779 C=449579		
4. PLC ± -	ANGLES ± # 0'30'	WEIGHT: -		
MATERIAL: -	FINISH: -	CUSTOMER DRAWING SCALE: 4:1 SHEET: 1 OF 1 REV: C		