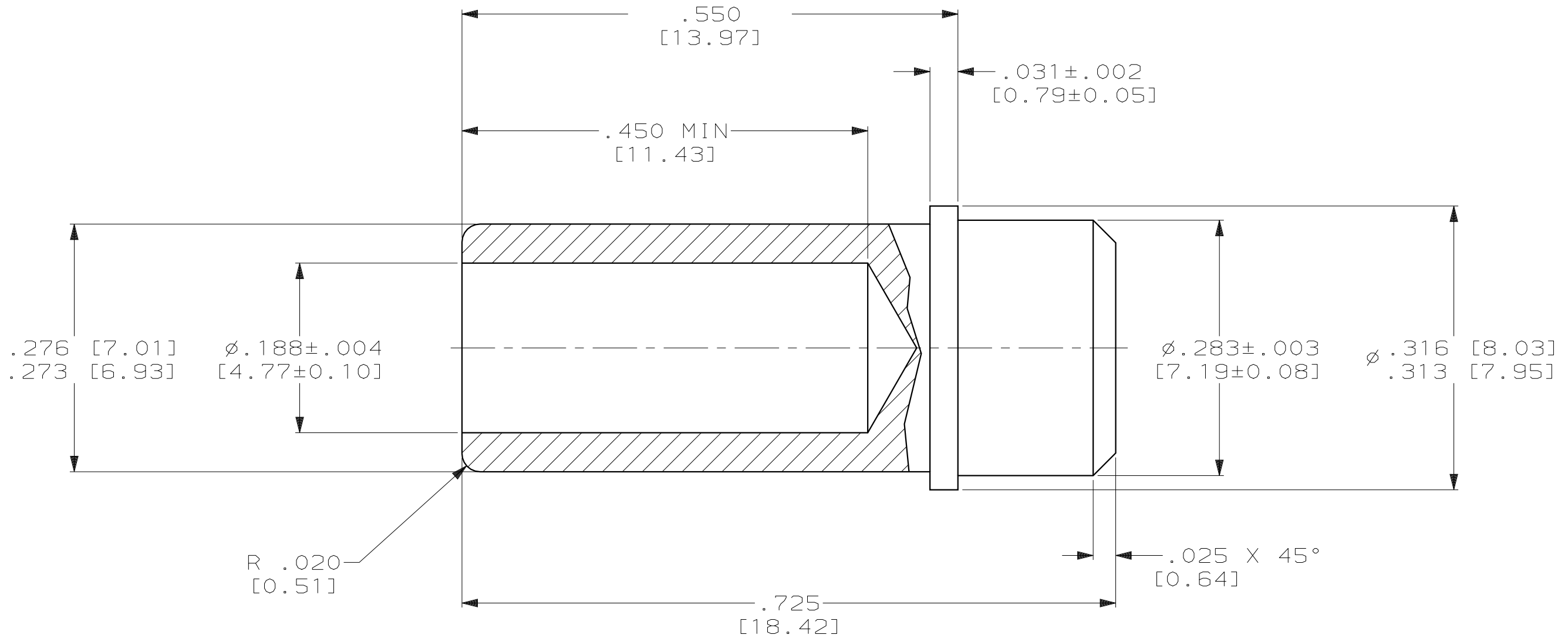


THIS DRAWING IS UNPUBLISHED. RELEASED FOR PUBLICATION, 19
 © COPYRIGHT 19 BY AMP INCORPORATED. ALL INTERNATIONAL RIGHTS RESERVED.

LOC	DIST	P	F	ZONE	LTR	DESCRIPTION	DATE	APPD
DF	X0				A	REV PER 0H14-0049-04 CT	1-04	SG



STANDARD PART	448545-3
WITH SPECIAL CUSTOMER MARKING	448545-2
REMARKS	PART NUMBER

- ① MAT'L: ALUMINUM PER QQ-A-225/6.
- ② FINISH: NICKEL PLATE PER MIL-C-26074, CLASS 1.

DO NOT SCALE PRINT. UNLESS SPECIFIED DIMENSIONS IN INCHES [mm] TOLERANCES ON: 2 PLC DEC ± - 3 PLC DEC ± .005 [0.13] ANGLES ± 2°	DR 10-23-92 C.C.THOMAS	AMP AMP Incorporated Harrisburg, PA 17105-3608
	CHK 11-2-92 C.SHELLY	
	APPD 11-2-92 C.SHELLY	
	APPD 11-2-92 C.THOMAS	
MATERIAL ①	PRODUCT SPEC -	NAME PLUG, FILLER, CONDUCTIVE REAR RELEASE, ARINC-TRIAX
FINISH ②	APPLICATION SPEC -	SIZE B CAGE CODE 00779 DRAWING NO 448545
	WEIGHT -	SCALE 8:1 SHEET 1 OF 1