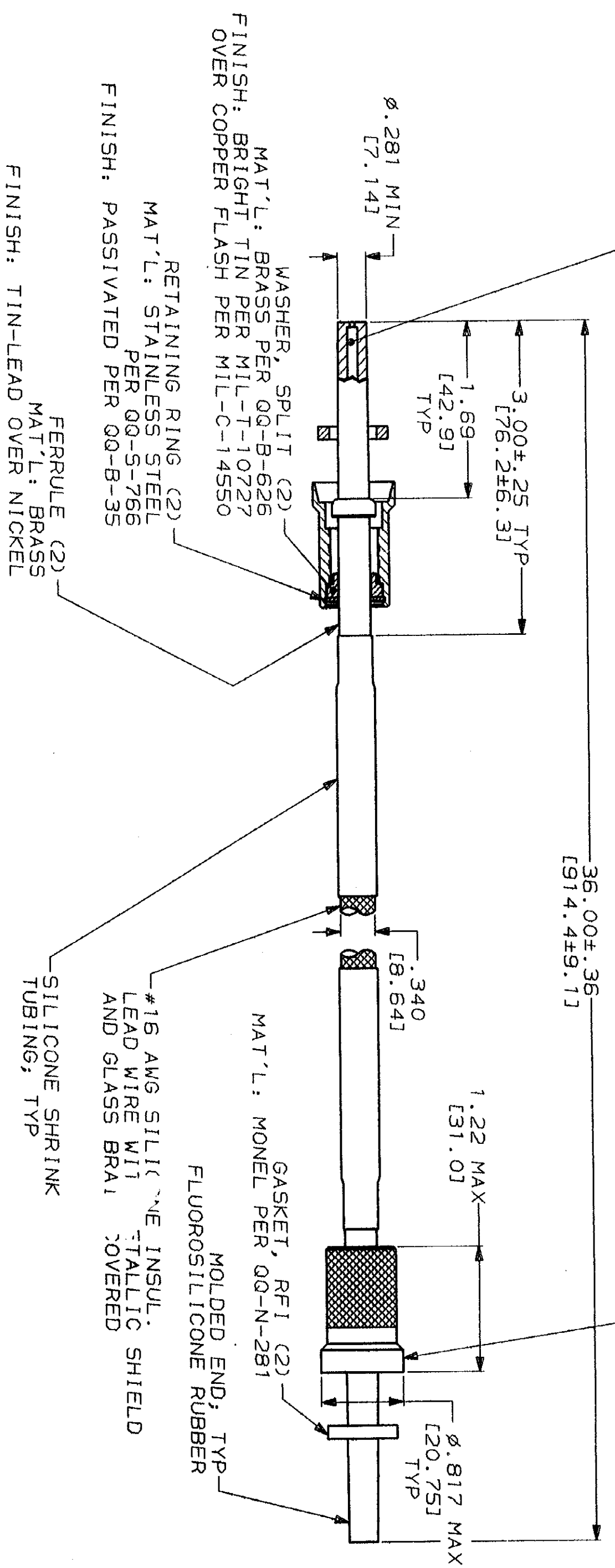


SOCKET, SIZE #16 (QTY=2)  
 MAT'L: LEADED COPPER PER ASTM-B-301  
 FINISH: GOLD PER MIL-G-45204  
 OVER NICKEL PER QQ-N-290

MAT'L: ALUM. ALLOY PER QQ-A-591  
 FINISH: BLACK ANODIZE  
 PER MIL-A-8625

CAP (2)



1. MARKED PER MIL-STD-130.
2. TO MATE WITH AMP LGH-1L RECEPTACLE WITH 1.69 [42.9] BARREL DEPTH.
3. OPERATING VOLTAGE: 25 KVDC AT 0 TO 70,000 FEET, -55°C TO 125°C.

DO NOT SCALE PRINT. UNLESS SPECIFIED DIMENSIONS IN INCHES [mm]		DR 8-7-90		AMP	
TOLERANCES ON:		CHK -		AMP Incorporated	
1 PLC DEC ± .02 [0.51]		C.C. THOMAS		Harrisburg, PA 17105-3608	
2 PLC DEC ± .015 [0.381]		APPD <i>Alan Gaby 9/16/90</i>		NAME	
3 PLC DEC ± .01 [0.254]		APPD <i>Alan Gaby 9/16/90</i>		LEAD ASSEMBLY, DBL. END, LGH-1L, RFI SHIELDED WITH FLUROSILICONE ENDS	
MATERIAL		PRODUCT SPEC		SIZE	
SEE CALLOUTS		APPLICATION SPEC		CAGE CODE	
SEE CALLOUTS		WEIGHT		DRAWING NO	
SEE CALLOUTS		SCALE 1:1		447327	
SEE CALLOUTS		SHEET 1 OF 1		CUSTOMER DRAWING	