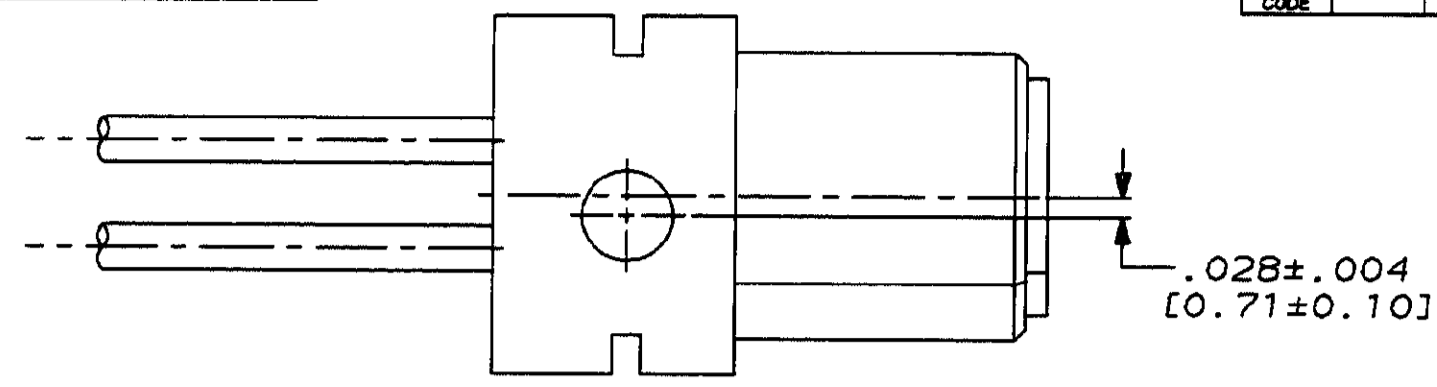


4  
 DRAWING MADE IN THIRD ANGLE PROJECTION  
 THIS DRAWING IS UNPUBLISHED. RELEASED FOR PUBLICATION .19  
 © COPYRIGHT 19 BY AMP INCORPORATED. ALL INTERNATIONAL RIGHTS RESERVED.

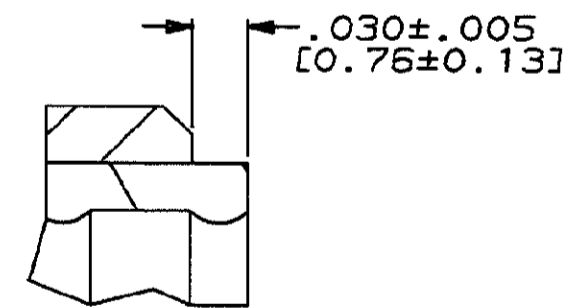
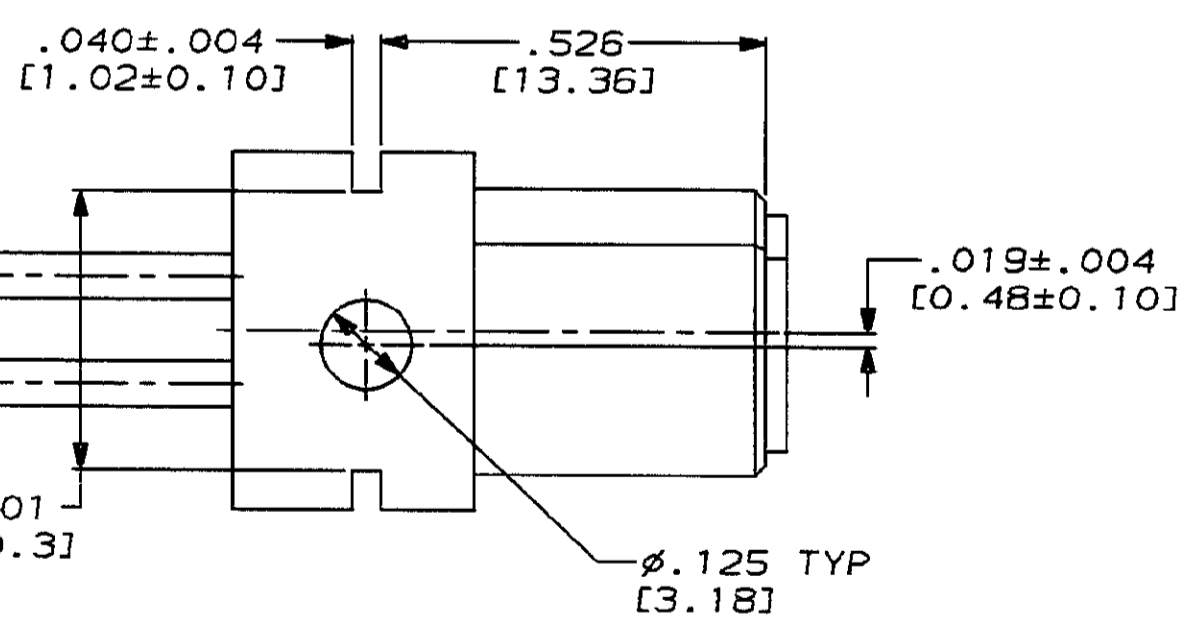
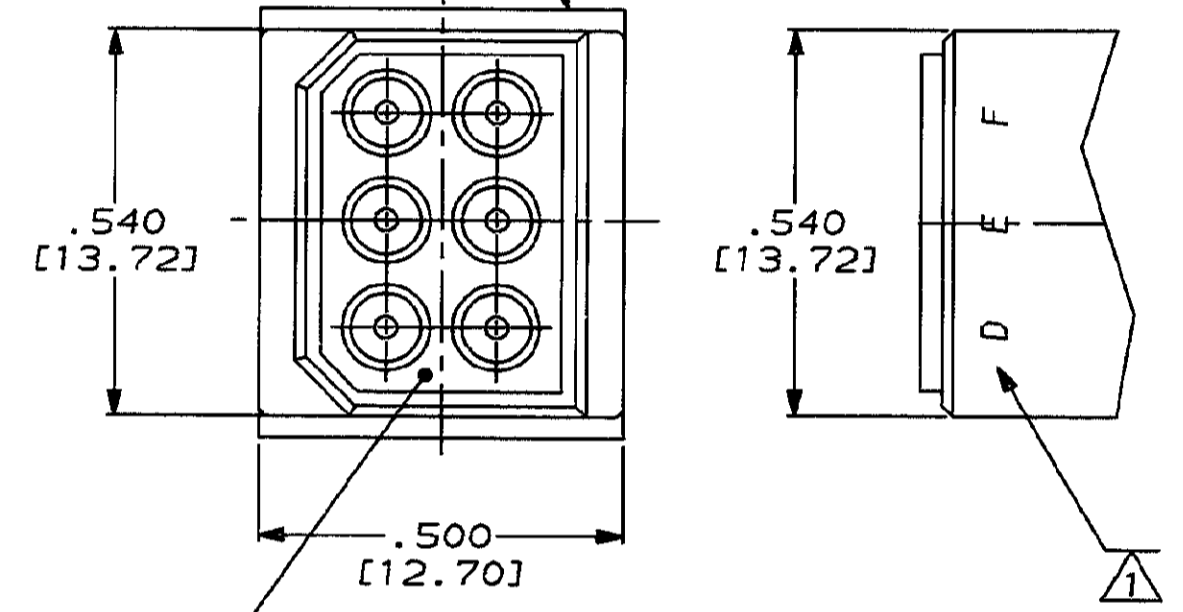
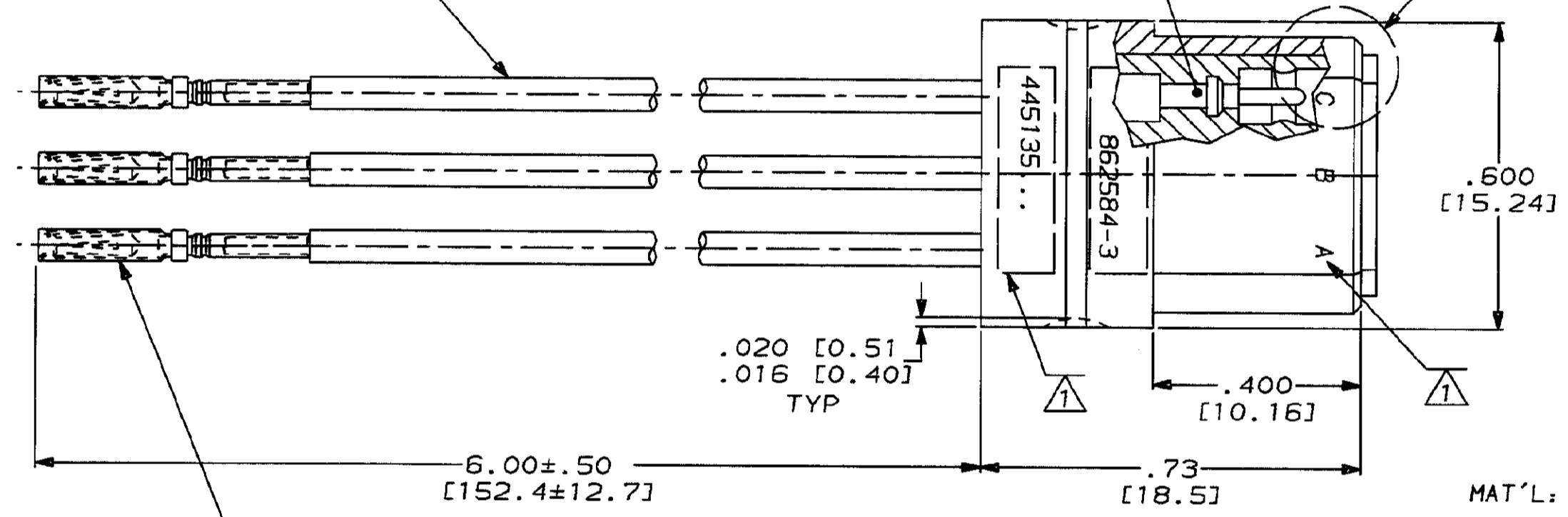
PROJ	LOC	DIST	P	F	ZONE	LTR	DESCRIPTION	DATE	APPO
4081	DF	SO				A	REV & REDRAWN PER DF-5994	CT 1-93	DE



#24 AWG TEFLON INSULATED  
 LEAD WIRE (6 PLC)  
 COLOR: SEE SCHEMATIC

CONTACT, PIN (6PLC)  
 MAT'L: BRONZE PER ASTM-B-140  
 FINISH: GOLD PLATE PER MIL-G-45204  
 OVER NICKEL PER QQ-N-290

HOUSING  
 MAT'L: POLYESTER MLDG. CMPD.  
 COLOR: BLACK



DETAIL Z  
 SCALE 10:1

1 MARKED PER MIL-STD-130.  
 2 PIGTAILS ARE SOLDER-DIPPED.

- A — YELLOW
- B — RED
- C — BROWN
- D — BLUE
- E — GREEN
- F — BLACK

SCHEMATIC

868021-1  
 PART NO.

DO NOT SCALE PRINT. UNLESS SPECIFIED DIMENSIONS IN INCHES [mm] TOLERANCES ON: 2 PLC DEC ± .03 [0.8] 3 PLC DEC ± .015 [0.38] ANGLES ± -	DR 12-5-92 C.C. THOMAS	AMP AMP Incorporated Harrisburg, PA 17105-3608
	CHK 1-11-93 D.EABY	
MATERIAL SEE CALLOUTS	APPD 1-11-93 D.EABY	NAME PLUG ASSY WITH FLYING LEADS, 6 POSN., LGH
	APPD 1-11-93 C.C. THOMAS	
FINISH SEE CALLOUTS	PRODUCT SPEC -	SIZE C 00779
	APPLICATION SPEC -	
WEIGHT -	SCALE 4:1	DRAWING NO 445135
		SHEET 1 OF 1

CUSTOMER DRAWING