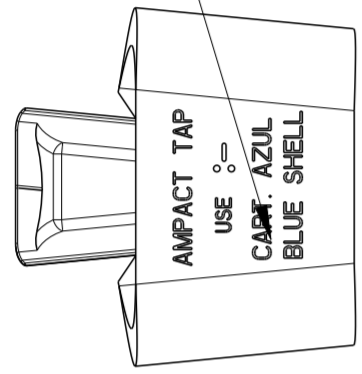


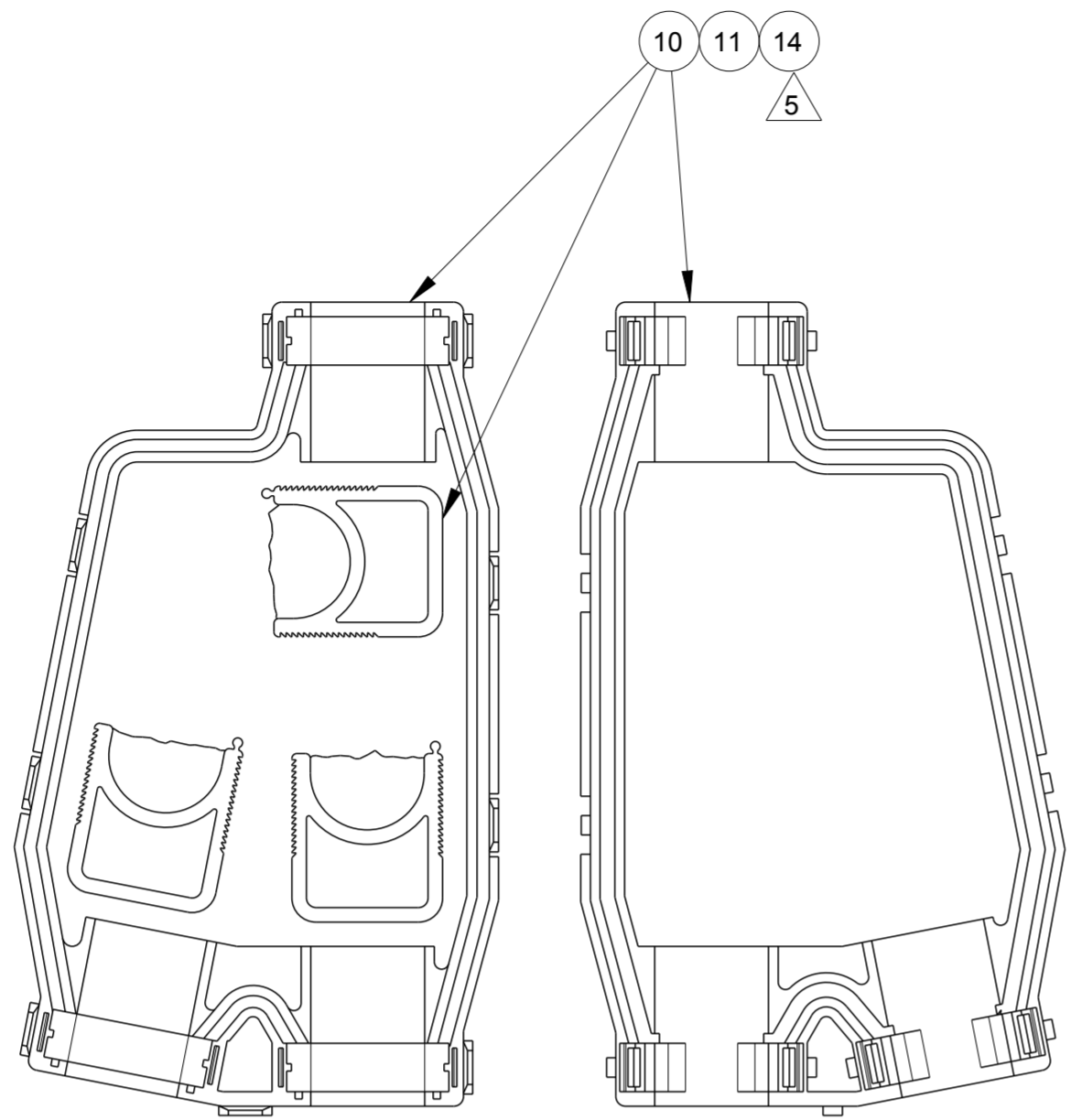
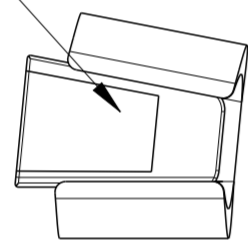
THIS DRAWING IS UNPUBLISHED. RELEASED FOR PUBLICATION 20
 © COPYRIGHT20 ALL RIGHTS RESERVED.

LOC	DIST	REVISIONS					
AP	-	P	LTR	DESCRIPTION	DATE	DWN	APVD
		H		REVISED BY ECO-06-000653	16JAN2006	GO	WB
		H1		ECO-11-024632	05JAN2012	GO	WB

- 1
- 2
- 3
- 4
- 5
- 6
- 7
- 8
- 12
- 13
- 16

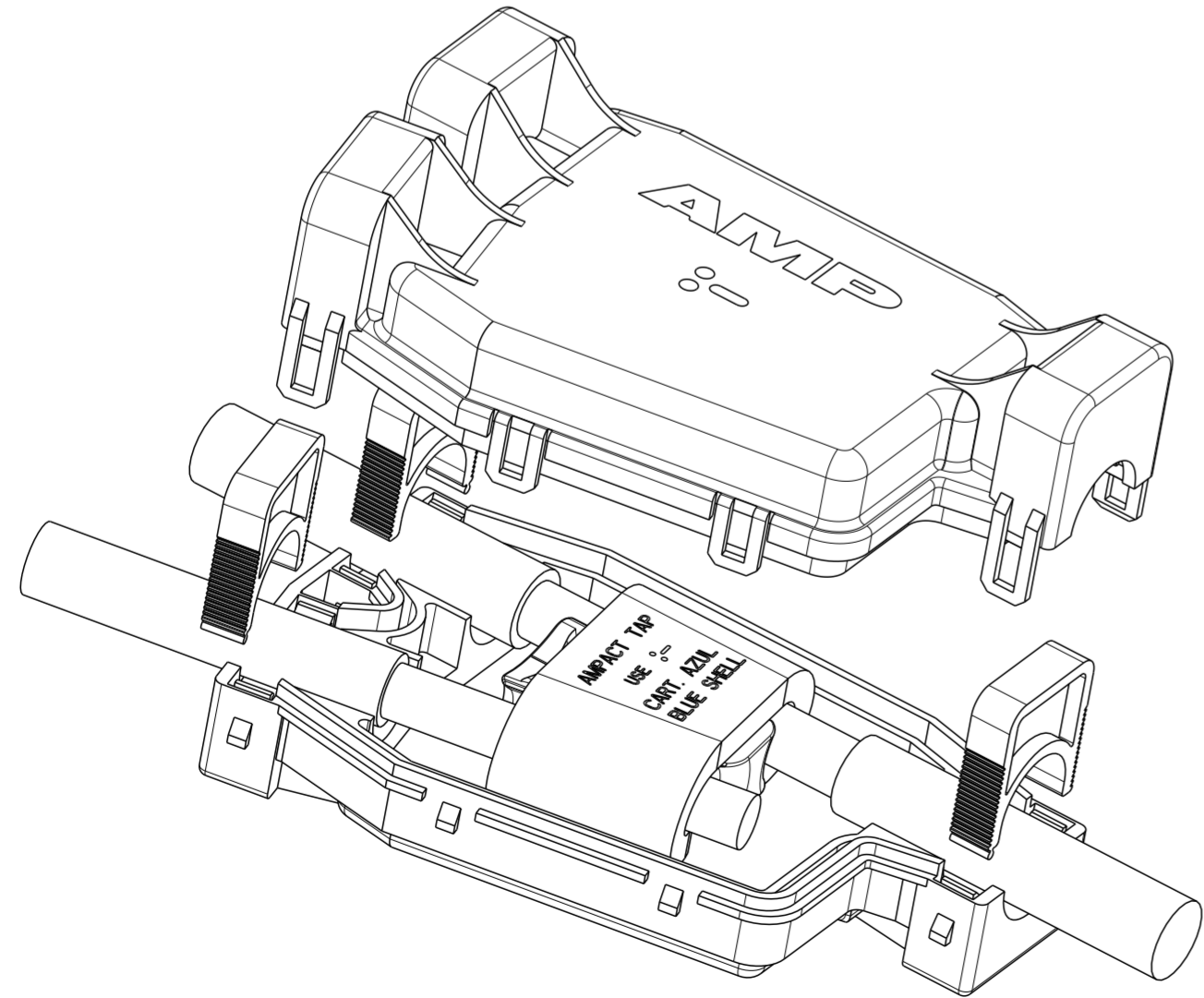


- 9
- 17



- 1 - EACH ITEM IN SPECIFIC PLASTIC BAG AND PLACED INTO A CARDBOARD BOX.
- 2 - PRODUCT SPECIFICATION:
ITEM 1: 108-13011
ITEM 2: 108-37035
- 3 - INSTRUCTION SHEET REDUCED FROM 411-37023-1
- 4 - FOR CPFL CUSTOMER ONLY.
- 5 - SUPPLIED WITHOUT "CABLE CLAMPS"

- 1 - CADA ITEM EM SACO PLÁSTICO ESPECÍFICO DENTRO DE UMA CAIXA DE PAPELÃO.
- 2 - ESPECIFICAÇÃO DE PRODUTO:
ITEM 1: 108-13011
ITEM 2: 108-37035
- 3 - FOLHA DE INSTRUÇÃO REDUZIDA DA 411-37023-1.
- 4 - SOMENTE PARA O CLIENTE CPFL.
- 5 - FORNECIDO SEM OS GRAMPOS DOS CABOS.



REQ. PER ASS'Y												ITEM	DESCRIPTION	FINISH	MATERIAL	PART NUMBER
1	-	-	-	-	-	-	-	-	-	-	-	17	RED AMPACT CONNECTOR	---	ALUMINUM	600525-0
-	1	-	-	-	-	-	-	-	-	-	-	16	BLUE AMPACT CONNECTOR	---	ALUMINUM	600466-0
-	-	1	-	-	-	-	-	-	-	-	-	15	SPECIAL APPLIC. PROC.	---	---	1599373-1
-	-	1	-	-	-	-	-	-	-	-	-	14	PROTECTIVE COVER, LARGE	BLACK	POLYPROPYLENE	444423-3
-	-	1	-	-	-	-	-	-	-	-	-	13	BLUE AMPACT ASSY	---	ALUMINUM	600411-0
1	-	1	1	1	1	1	1	1	1	1	1	-	INSTRUCTION SHEET	---	---	1-880902-3
-	-	-	1	-	-	-	-	-	-	-	-	12	AMPACT TAP ASS'Y	---	---	600403-0
-	1	-	1	1	1	1	1	-	1	1	1	11	PROTECTIVE COVER, LARGE	BLACK	POLYPROPYLENE	444423-1
1	-	-	-	-	-	-	-	-	1	-	-	10	PROTECTIVE COVER, SMALL	BLACK	POLYPROPYLENE	444419-1
-	-	-	-	-	-	-	-	-	1	-	-	9	RED AMPACT CONNECTOR	---	ALUMINUM	600529-0
-	-	-	-	-	-	-	-	1	-	-	-	8	BLUE AMPACT CONNECTOR	---	ALUMINUM	600411-0
-	-	-	-	-	-	-	-	1	-	-	-	7	BLUE AMPACT CONNECTOR	---	ALUMINUM	602380-5
-	-	-	-	-	-	-	-	-	1	-	-	6	BLUE AMPACT CONNECTOR	---	ALUMINUM	602380-0
-	-	-	-	-	-	-	-	-	-	1	-	5	BLUE AMPACT CONNECTOR	---	ALUMINUM	602380-7
-	-	-	-	1	-	-	-	-	-	-	-	4	BLUE AMPACT CONNECTOR	---	ALUMINUM	602380-3
-	-	-	-	-	-	-	-	-	-	-	1	3	BLUE AMPACT CONNECTOR	---	ALUMINUM	602380-2
-	-	-	-	-	1	-	-	-	-	-	-	2	BLUE AMPACT CONNECTOR	---	ALUMINUM	444762-3
-	-	-	-	-	-	1	-	-	-	-	-	1	BLUE AMPACT CONNECTOR	---	ALUMINUM	444762-1

THIS DRAWING IS A CONTROLLED DOCUMENT.

DWN: W.BELLINI JR. 15MAR96
 CHK: J.A.LA SALVIA 15MAR96
 APVD: E.A.SFEIR 15MAR096

TE Connectivity
STE

NAME: CONNECTION KIT, LARGE

SIZE: A2 CAGE CODE: 00779 DRAWING NO: 444721 RESTRICTED TO: -

MATERIAL: SEE TABLE TOLERANCES UNLESS OTHERWISE SPECIFIED: SEE TABLE

0 PLC ±
 1 PLC ±
 2 PLC ±
 3 PLC ±
 4 PLC ±
 ANGLES ±
 FINISH

PRODUCT SPEC: 2
 APPLICATION SPEC: -
 WEIGHT: -

CUSTOMER DRAWING SCALE: - SHEET 1 OF 1 REV: H1