

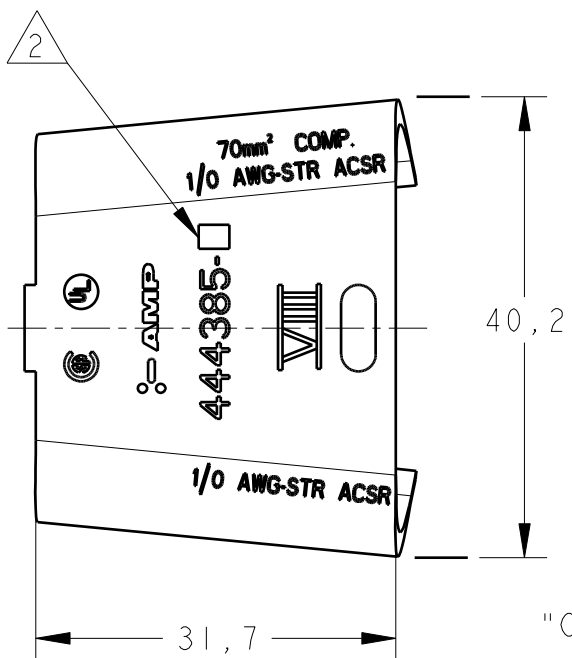
THIS DRAWING IS UNPUBLISHED.

RELEASED FOR PUBLICATION

20

© COPYRIGHT 20 BY TYCO ELECTRONICS CORPORATION. ALL RIGHTS RESERVED.

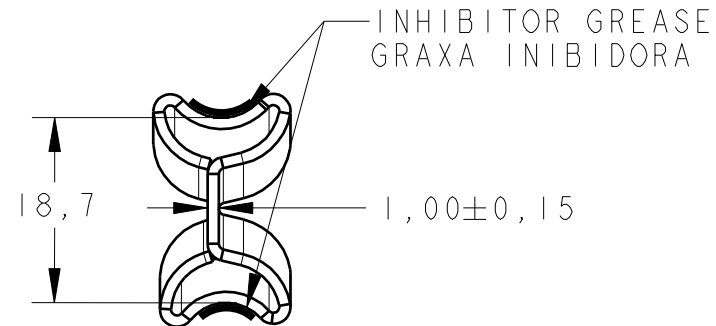
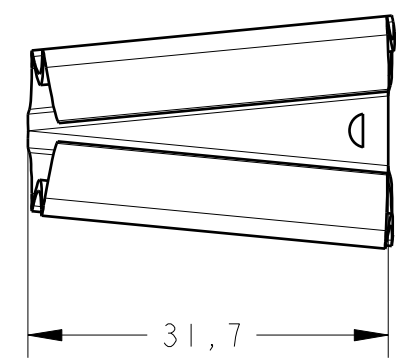
LOC	DIST	REVISIONS					
		P	LTR	DESCRIPTION	DATE	DWN	APVD
AP	-		F1	REDRAW BY ECR-05-010312	01SEP2005	GO	WB
			F2	ECO-07-020223	08JAN2008	GO	WB
			F3	ECO-09-003259	11MAR2009	GO	WB



2.10±0,15

INHIBITOR GREASE  
GRAXA INIBIDORA

"C" MEMBER

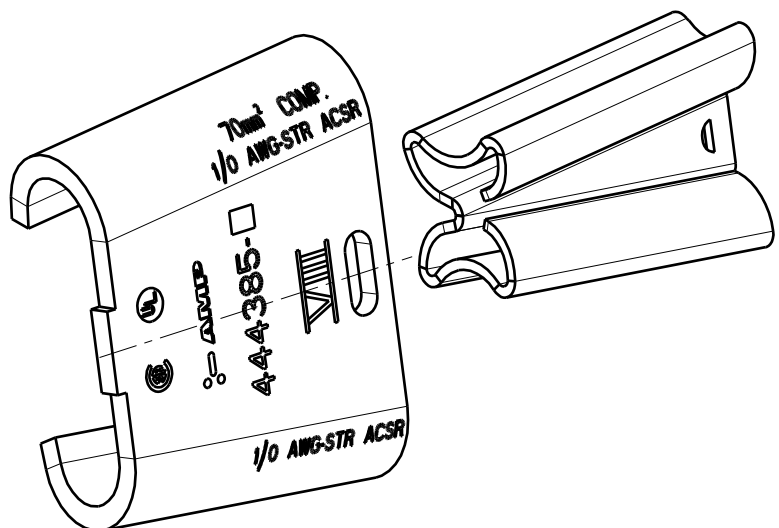


"WEDGE" MEMBER

- 1 - SUPPLIED IN INDIVIDUAL PLASTIC PACKAGING.
- 2 - DASH ACCORDING TO MARKET
  - 1 - EXTERNAL MARKET
  - 2 - LOCAL MARKET
- 3 - DASH -3 IS THE SAME AS DASH -2. FOR ELEKTRO CUSTOMER ONLY.

- 1 - FORNECIDO EM EMBALAGEM PLASTICA INDIVIDUAL.
- 2 - TRAÇO DE ACORDO COM O MERCADO
  - 1 - MERCADO EXTERNO
  - 2 - MERCADO LOCAL
- 3 - TRAÇO -3 É IGUAL AO TRAÇO -2. SOMENTE PARA O CLIENTE ELEKTRO.

20,22	18,73	10,11	8,01	10,11	8,01	ESTANHADO TIN PLATED	LIGA DE COBRE COPPER ALLOY	444385-3	3
20,22	18,73	10,11	8,01	10,11	8,01	ESTANHADO TIN PLATED	LIGA DE COBRE COPPER ALLOY	444385-2	
20,22	18,73	10,11	8,01	10,11	8,01	ESTANHADO TIN PLATED	LIGA DE COBRE COPPER ALLOY	444385-1	
MAX.	MIN.	MAX.	MIN.	MAX.	MIN.				
SOMA DOS DIÂMETROS SUM		CABO PRINCIPAL TOP GROVE		CABO DERIVAÇÃO BOTTOM GROVE		FINISH	MATERIAL	PART NUMBER	
DIÂMETRO LIMITE DOS CABOS WIRE DIAMETER LIMITE									



THIS DRAWING IS A CONTROLLED DOCUMENT FOR TYCO ELECTRONICS CORPORATION. IT IS SUBJECT TO CHANGE AND THE CONTROLLING ENGINEERING ORGANIZATION SHOULD BE CONTACTED FOR THE LATEST REVISION.

DIMENSIONS: mm	TOLERANCES UNLESS OTHERWISE SPECIFIED: 0 PLC ± 1 PLC ±1,5 2 PLC ± 3 PLC ± 4 PLC ± ANGLES ±	DWN G. DE OLIVEIRA 01SEP2005 CHK WALTER BELLINI JR. 01SEP2005 APVD RUY P. LEMF 01SEP2005	Tyco Electronics Tyco Electronics Brasil Ltda. São Paulo - Brasil
MATERIAL SEE TABLE	FINISH SEE TABLE	PRODUCT SPEC 108-37019 APPLICATION SPEC 411-37014	NAME U.D.CONNECTOR ASS'Y, TYPE VIII, REINFORCED.
		WEIGHT -	SIZE A3
		CUSTOMER DRAWING	CAGE CODE 00779
			DRAWING NO C=444385
			RESTRICTED TO -
			SCALE -
			SHEET 1 OF 1
			REV F3