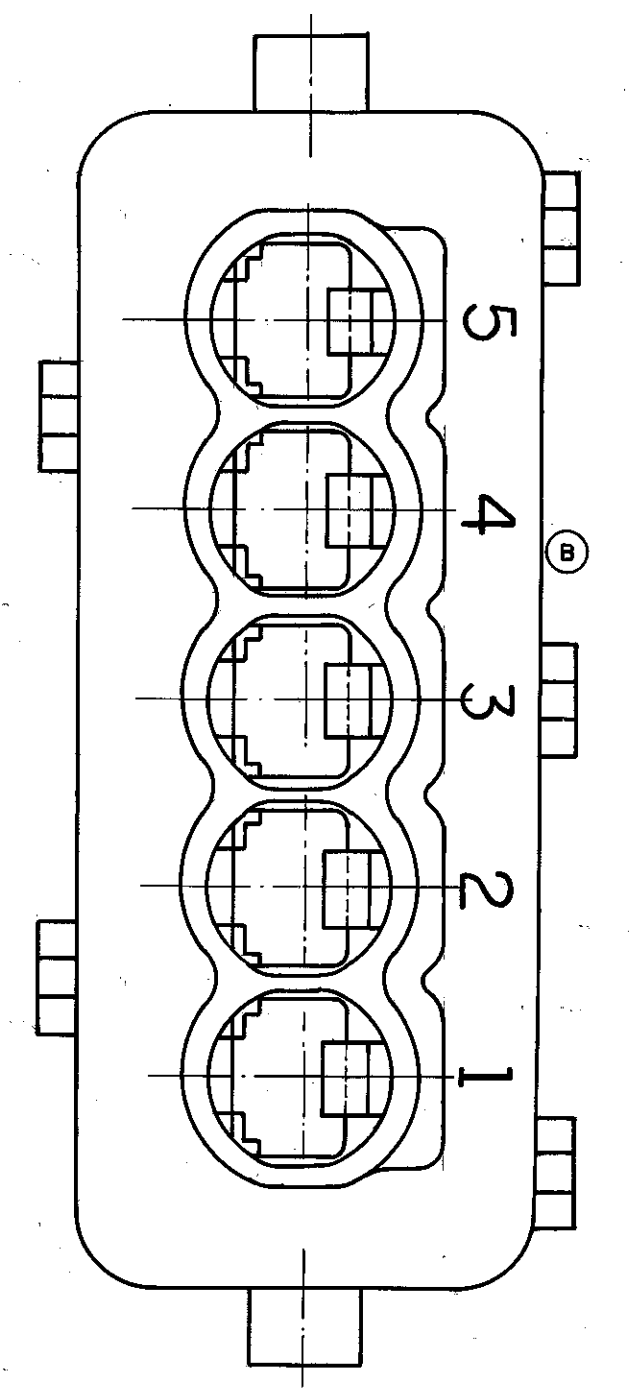
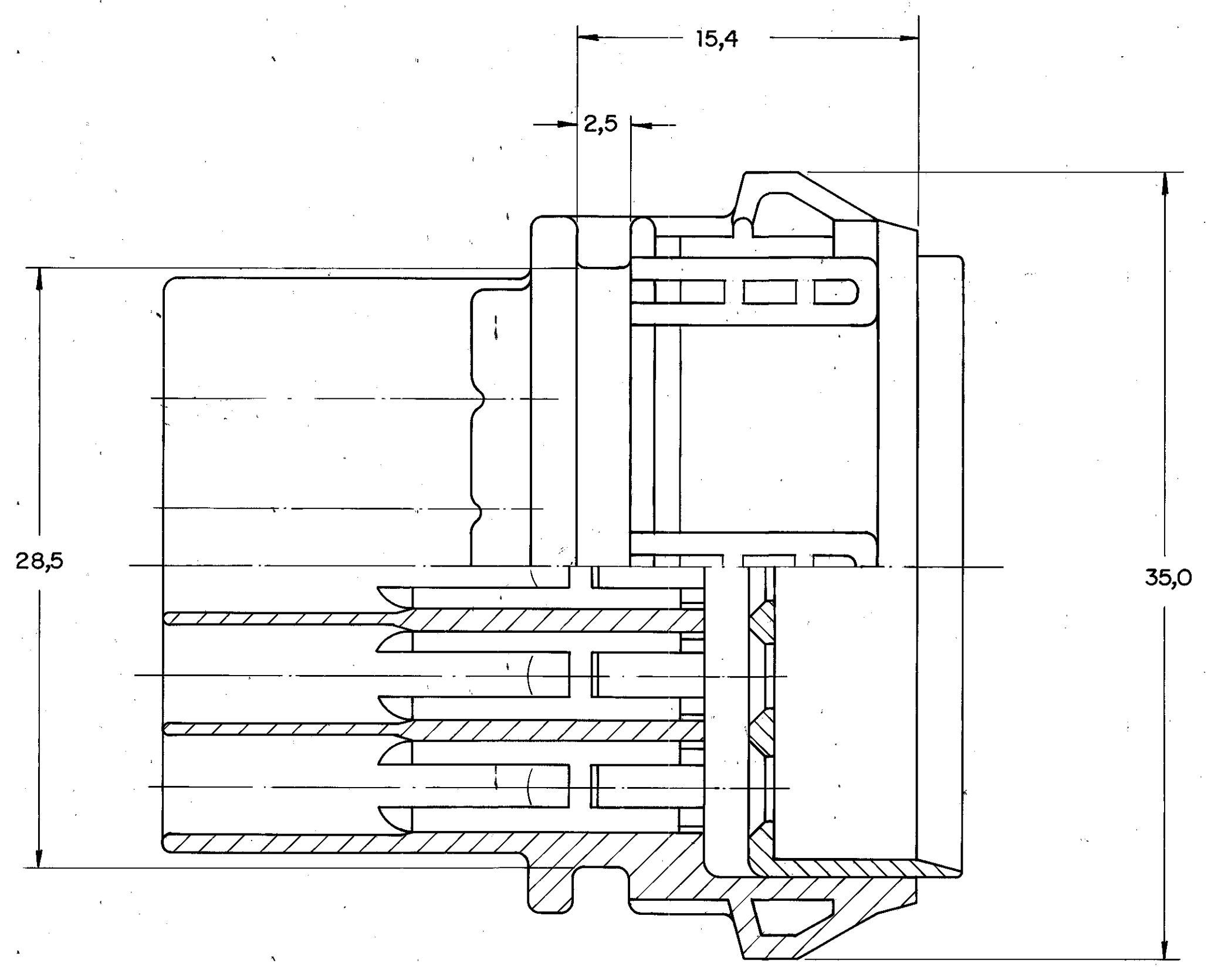
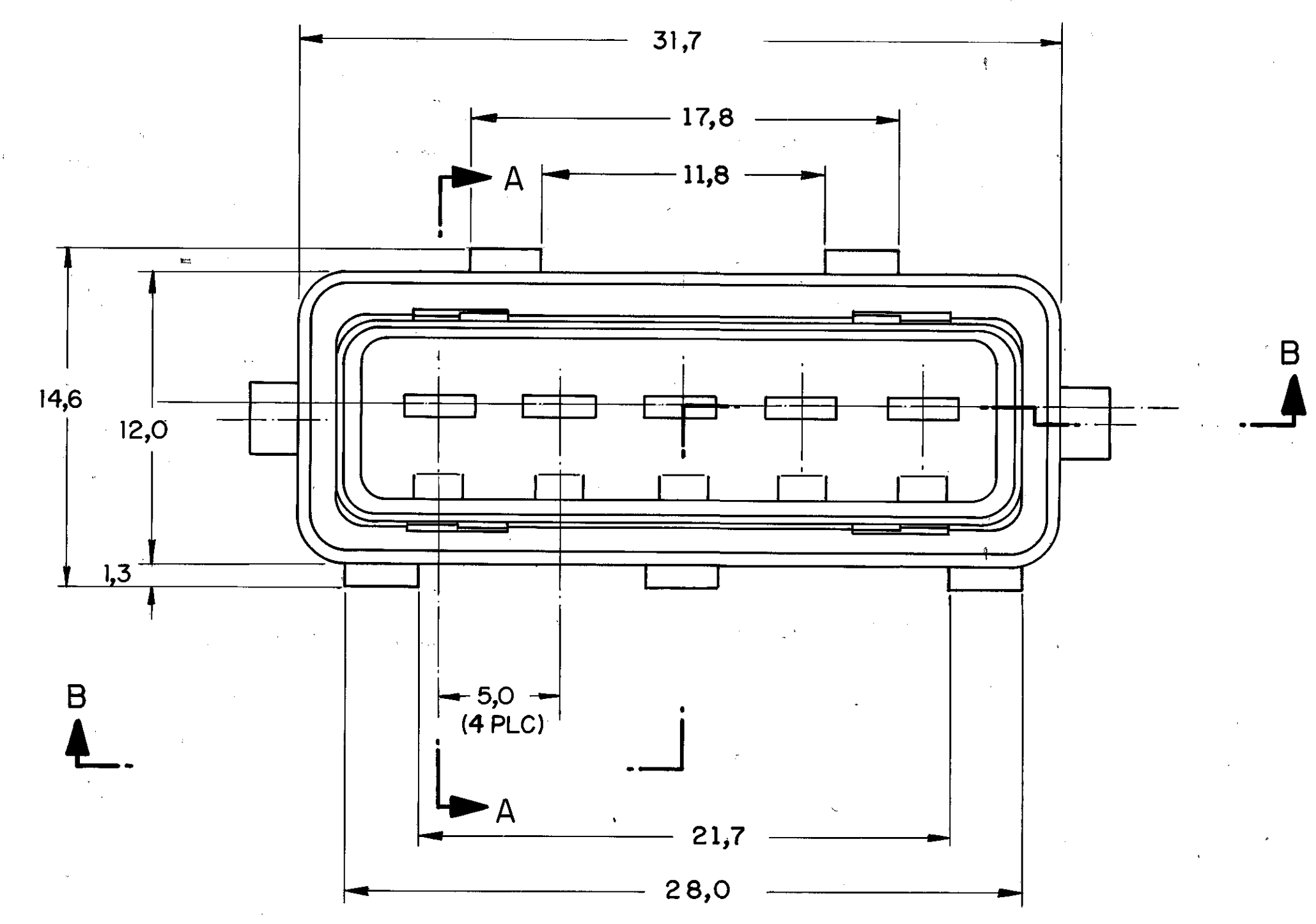
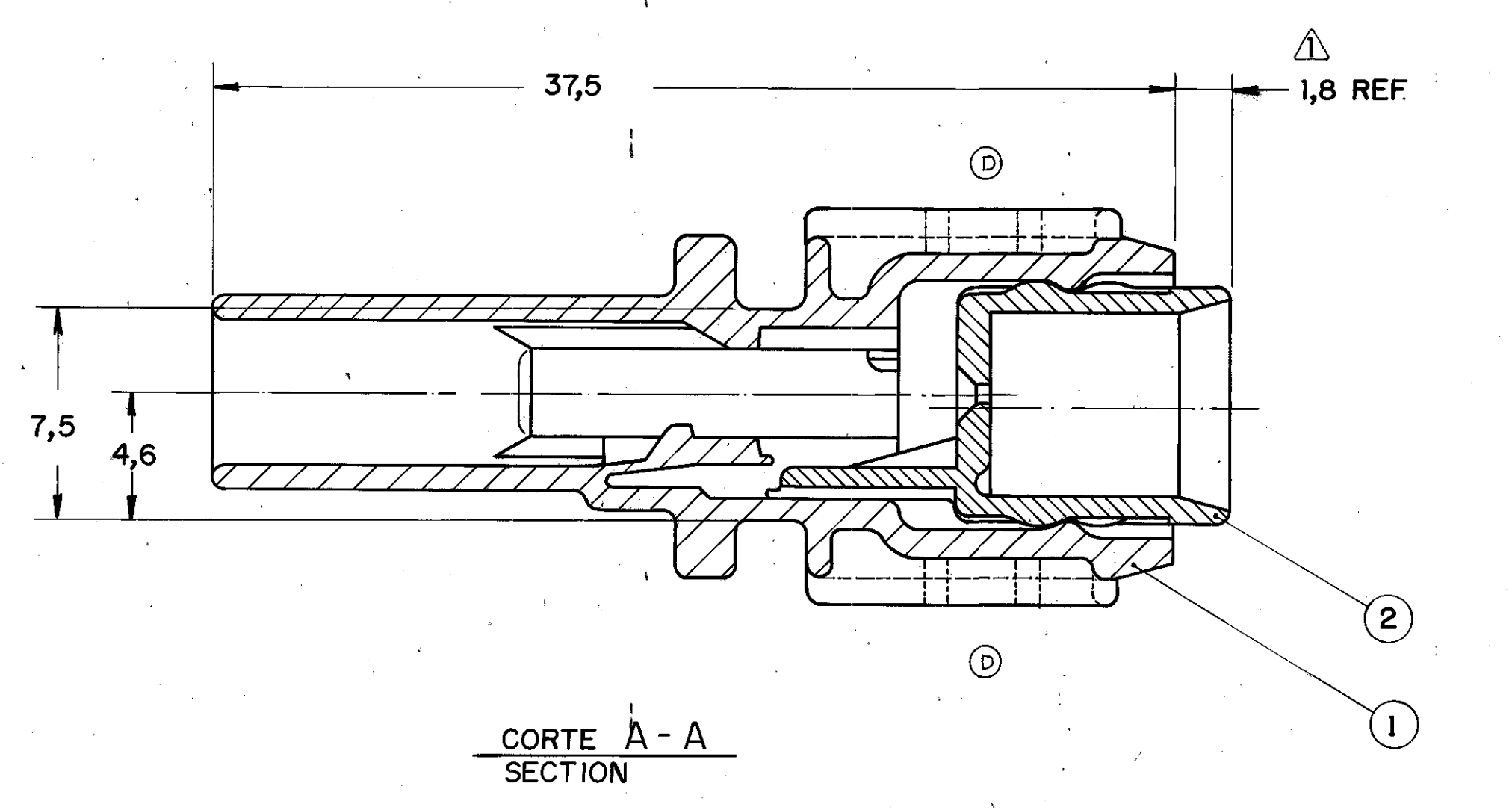


SHEET 1 of 1  
C 444208

444208		DO NOT SCALE		<b>METRIC</b>		3rd ANGLE PROJECTION	
DIMENSIONS IN mm.							
REQ. PER ASSY	ITEM No	DESCRIPTION	MATERIAL	FINISH			
1	1	HOUSING, 5 POSN., JUNIOR POWER TIMER, TAB.	PA.6.6+15% FV (GF)	PRETO (BLACK)			
1	2	SPACER, 5 POSN., JUNIOR POWER TIMER, TAB.	PA.6.6+30% FV (GF)	AMARELO (YELLOW)			
1	1	HOUSING, 5 POSN., JUNIOR POWER TIMER, TAB.	PA.6.6+15% FV (GF)	MARROM (BROWN)			



- △ - OS ITENS 1 E 2 SÃO FORNECIDOS COMO MOSTRADO.  
 - ITEMS 1 AND 2 ARE SUPPLIED AS SHOWN.
- 2 - GRAVAÇÕES QUE DEVERÃO CONSTAR:  
 - MARCA REGISTRADA AMP.  
 - CÓDIGO DO PAÍS PRODUTOR.  
 - PAÍS PRODUTOR.  
 - NÚMERO DA PEÇA AMP.  
 - IDENTIFICAÇÃO DA CAVIDADE.  
 - IDENTIFICAÇÃO DE CIRCUITO.  
 - SIGLA DO MATERIAL CONFORME NORMA VDA 260.  
 - NÚMERO DA PEÇA VW.  
 - STAMP THAT MUST BE EVIDENT:  
 - AMP TRADEMARK.  
 - MANUFACTURER COUNTRY CODE.  
 - MANUFACTURER COUNTRY.  
 - AMP PART NUMBER.  
 - CAVITY IDENTIFICATION.  
 - CIRCUIT IDENTIFICATION.  
 - MATERIAL SYMBOL ACCORDING TO VDA 260.  
 - VW PART NUMBER.

CORTE B-B ROTACIONADO 90° SENTIDO HORÁRIO.  
SECTION ROTATED 90° CW

VISTA "X"  
VIEW

OTHER TREATMENT	FINISH	MATERIAL	PART NUMBER
THIS DRAWING IS UNPUBLISHED. RELEASED FOR PUBLICATION 19			
C. COPYRIGHT 19 BY AMP DO BRASIL LTDA S.P. ALL INTERNATIONAL RIGHTS RESERVED. AMP PRODUCTS MAY BE COVERED BY U.S. AND FOREIGN PATENTS AND/OR PATENTS PENDING.			
TOLERANCES UNLESS OTHERWISE STATED		SCALE	
DEC. 20.3		5:1	
ANGLES 2:1			
D REVISOR BY 1E40-00664 NCL PLEW S&W DR 21 JUN 93		<b>AMP</b> AMP do BRASIL LTDA. São Paulo ; Brasil	
C REVISOR BY EC-387-97 DAR M.L. M.L. 14 JUN 93			
B ERA 1 2 3 4 5 EC-333-94 NCL 14 JUN 93		DESCRIPTION HSG. ASSY., 5 POSN., JUNIOR POWER TIMER, TAB.	
A ERA PA.6.6+33% FV(240) DR 14 JUN 93			
D ERA P92-28005 MLO 25 JUN 94		DWG NO. <b>A1</b> C 444208 SHEET 1 of 1	
BS REVISION RECORD	DR	CHK	DATE

This information is confidential and is disclosed to you on condition that you will not disseminate it without the written authorization from AMP DO BRASIL S.P.