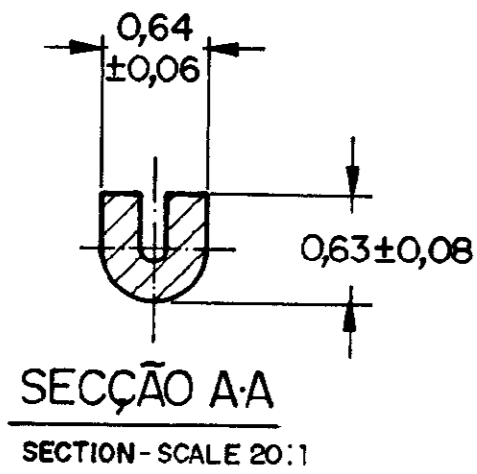
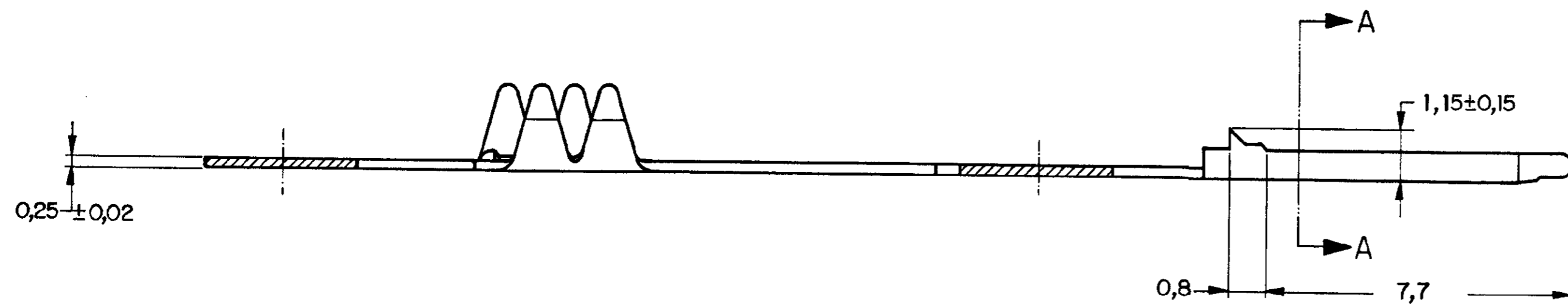
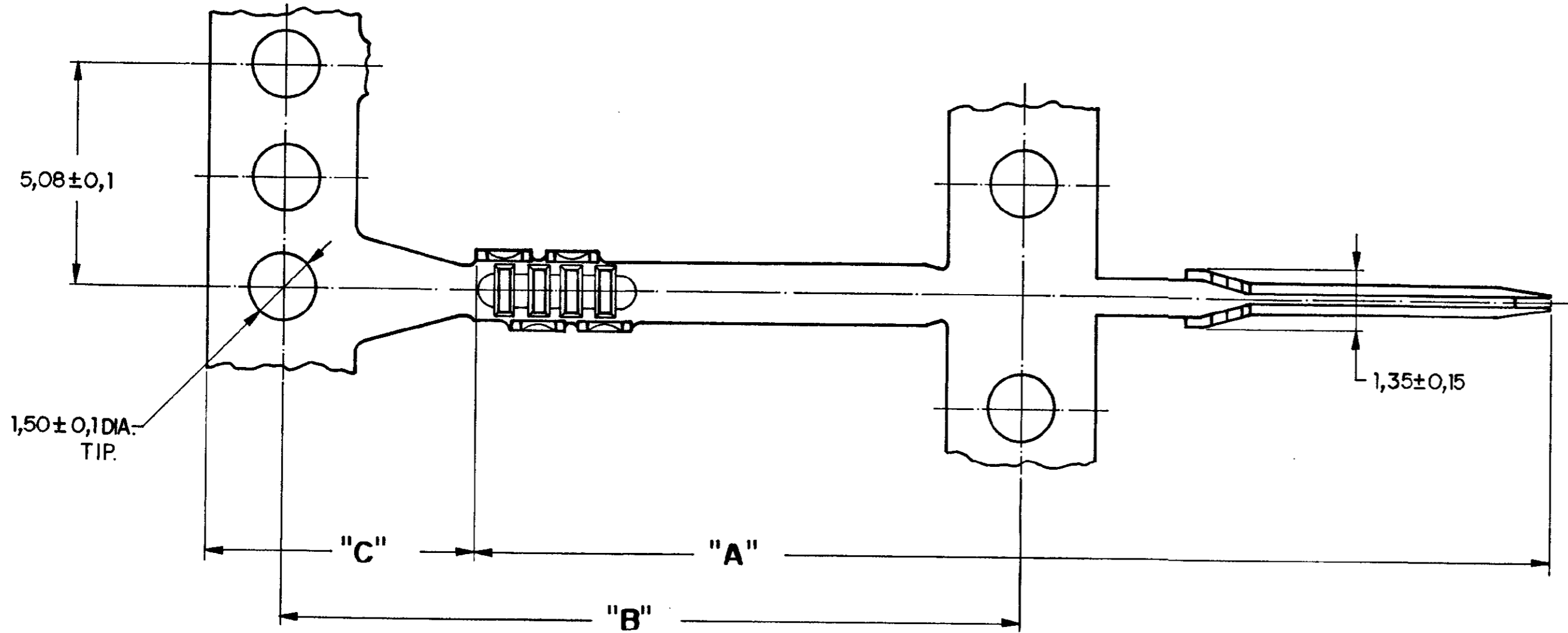


C444195

DWG NO.	DO NOT SCALE			METRIC 3rd ANGLE PROJECTION
	DIMENSIONS IN mm.			
PART NUMBER	DIMENSION "A"	DIMENSION "B"	DIMENSION "C"	
444 195 - 1	21,4	11,7	4,8	
444 195 - 2	21,4	11,7	4,8	



LATÃO / BRASS		444 195 - 2
PRÉ-ESTANHADO / PRE-TIN		444 195 - 1
FINISH	MATERIAL	PART NUMBER
<small>THIS DRAWING IS UNPUBLISHED. RELEASED FOR PUBLICATION BY AMP DO BRASIL LTDA SP. ALL INTERNATIONAL RIGHTS RESERVED. AMP PRODUCTS MAY BE COVERED BY U.S. AND FOREIGN PATENTS AND/OR PATENTS PENDING.</small>		
<small>TOLERANCES UNLESS OTHERWISE STATED</small> DEC ±0,2 ANGLES ±1°		<small>INS. DIA. RANGE</small> <small>WIRE RANGE</small> SCALE 10:1
<small>DR</small> <small>CHK</small>		AMP AMP do BRASIL LTDA. São Paulo, Brasil
<small>A ADICIONADO 444 195 - 2</small> <small>O ERA P92-29311</small>		DESCRIPTION TERMINAL FFC SHORT DE: <i>S. Coutinho</i> DATE: 01-FEB-93
<small>ISS REVISION RECORD</small> <small>ECN</small> <small>DR</small> <small>CHK</small>	<small>DATE</small> <small>APP</small>	DWG NO. A2 C444195 SHEET 1 of 1