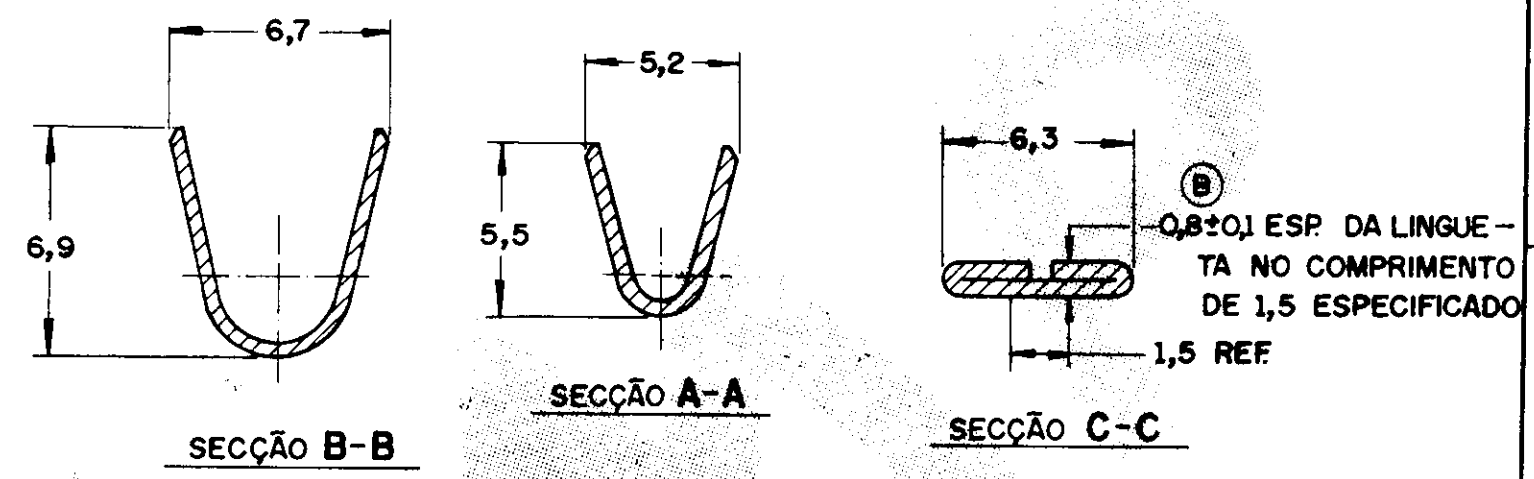
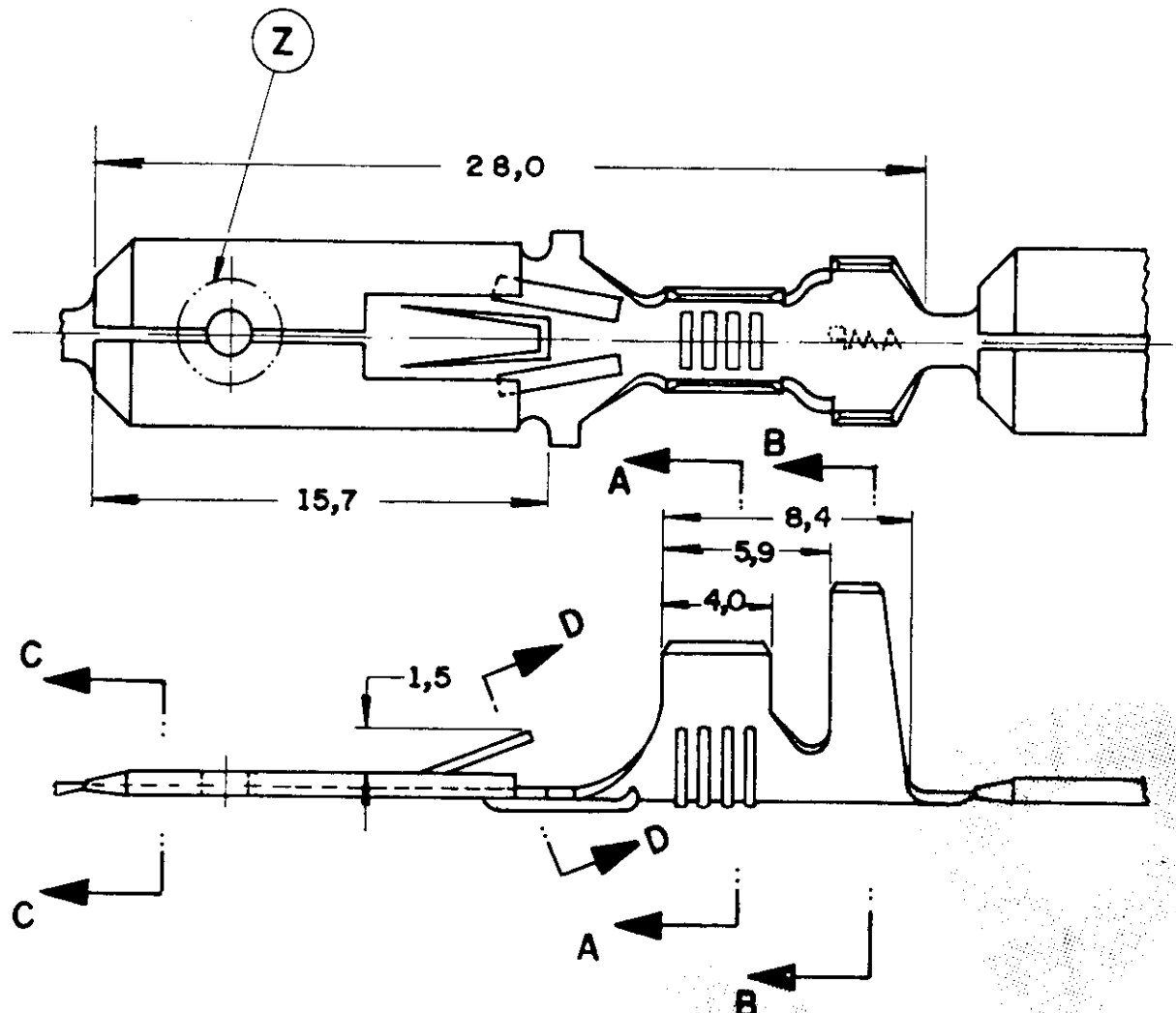


C444153

DO NOT SCALE
DIMENSIONS IN METRIC
3rd ANGLE PROJECTION



(A)		ESTANHADO	BRONZE FOSF.	-4
(A)		/	BRONZE FOSF.	-3
(A)	OBSOLETE	ESTANHADO	LATÃO	-2
	OBSOLETE	/	LATÃO	-1
			444153	
	OTHER TREATMENT	FINISH	MATERIAL	PART NUMBER
CUSTOMER DWG for REFERENCE ONLY		THIS DRAWING IS UNPUBLISHED RELEASED FOR PUBLICATION IS © COPYRIGHT 19 BY AMP DO BRASIL LTDA S.P. ALL INTERNATIONAL RIGHTS RESERVED AMP PRODUCTS MAY BE COVERED BY U.S. AND FOREIGN PATENTS AND/OR PATENTS PENDING.		
		TOLERANCES UNLESS OTHERWISE STATED DEC. ± 0,3 ANGLES ± 1°	INS. DIA. RANGE 3,2-4,3 mm	WIRE RANGE >4,0-6,0mm
			SCALE 2 4:1	
		DR. 06-10-92 Dourival Alves Rochg	AMP AMP do BRASIL LTDA. São Paulo, Brasil	
B1	REV. BY ECO 16-018477	HC	02JAN17	
B	ERA 0,8 LB-026-94	Dori	72-7 4Feb94	
A	ADIC. TRACOS 2,3E4	06-93 M.R.B.	13-MAY-93	
O	ERA P92-29205	Dori	08-10-92	
	REVISION RECORD	DR	CNK	DATE
				APP. 24.10.92
				DESCRIPTION .250 SERIES FASTIN-ON TAB
				DWG NO A3 C444153
				SHEET 1 OF 1