

4

3

2

1

THIS DRAWING IS UNPUBLISHED.

RELEASED FOR PUBLICATION

REVISIONS

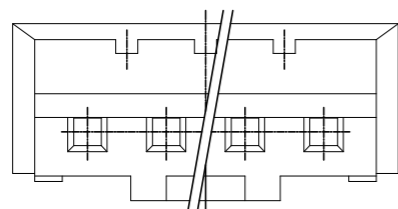
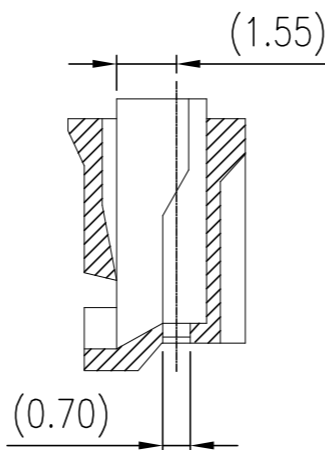
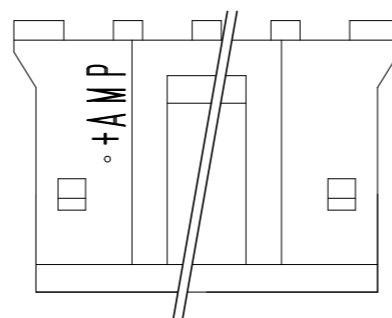
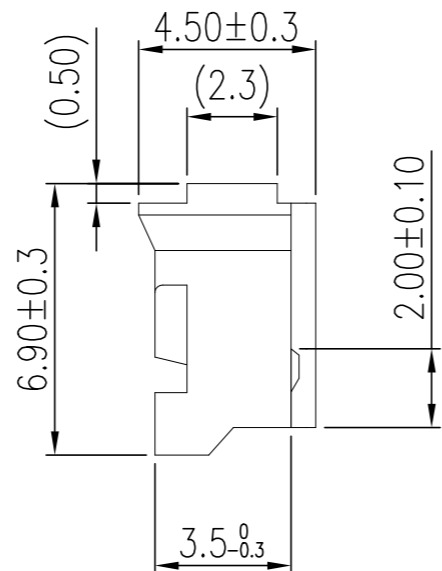
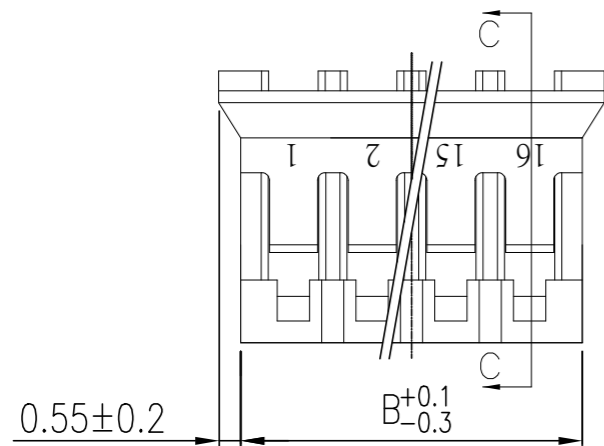
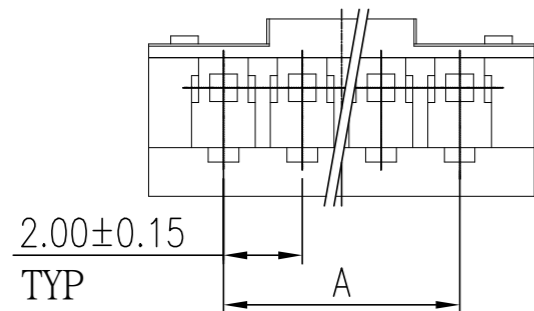
© COPYRIGHT - TE Connectivity Ltd.

ALL RIGHTS RESERVED.

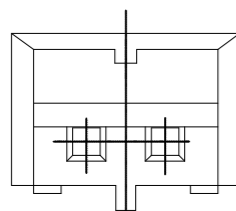
P	LTR	DESCRIPTION	DATE	DWN	APVD
D5		ECR-19-006475	29APR19	T.Q	W.H

NOTES:

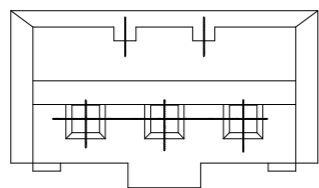
- 1. MATERIAL:
HOUSING: THERMOPLASTIC, UL94V-0, COLOR:SEE TABLE.



4P~16P



2P



3P

COLOR	B	A	POS	PART NUMBER	COLOR	B	A	POS	PART NUMBER
BROWN	10.70	8.00	5P	7-440129-5					
GREEN	22.80	20.00	11P	9-440129-1					
GREEN	10.70	8.00	5P	9-440129-5					
GREEN	8.70	6.00	4P	9-440129-4					
GREEN	6.70	4.00	3P	9-440129-3					
	10.70	8.00	5P	8-440129-5					
RED	8.70	6.00	4P	8-440129-4					
	6.70	4.00	3P	8-440129-3					
	4.70	2.00	2P	8-440129-2					
	10.70	8.00	5P	6-440129-5					
BLACK	8.70	6.00	4P	6-440129-4					
	6.70	4.00	3P	6-440129-3					
	4.70	2.00	2P	6-440129-2					
	24.80	22.00	12P	5-440129-2					
	22.80	20.00	11P	5-440129-1					
	20.80	18.00	10P	5-440129-0					
	18.80	16.00	9P	4-440129-9					
	16.80	14.00	8P	4-440129-8					
	14.80	12.00	7P	4-440129-7					
	12.70	10.00	6P	4-440129-6					
	10.70	8.00	5P	4-440129-5					
	8.70	6.00	4P	4-440129-4					
	6.70	4.00	3P	4-440129-3					
	4.70	2.00	2P	4-440129-2					
	10.70	8.00	5P	2-440129-5					
	8.70	6.00	4P	2-440129-4					
BLUE	6.70	4.00	3P	2-440129-3					
	4.70	2.00	2P	2-440129-2					
	18.80	16.00	9P	2-440129-9					
	16.80	14.00	8P	2-440129-8					
	32.80	30.00	16P	1-440129-6					
	30.80	28.00	15P	1-440129-5					
	28.80	26.00	14P	1-440129-4					
	26.80	24.00	13P	1-440129-3					
	24.80	22.00	12P	1-440129-2					
	22.80	20.00	11P	1-440129-1					
	20.80	18.00	10P	1-440129-0					
	18.80	16.00	9P	440129-9					
	16.80	14.00	8P	440129-8					
	14.80	12.00	7P	440129-7					
	12.70	10.00	6P	440129-6					
	10.70	8.00	5P	440129-5					
	8.70	6.00	4P	440129-4					
	6.70	4.00	3P	440129-3					
	4.70	2.00	2P	440129-2					

THIS DRAWING IS A CONTROLLED DOCUMENT.

DWN Tommy Qian 17OCT2018

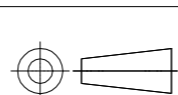
CHK Wenke He 17OCT2018

APVD Wenke He 17OCT2018

STE TE Connectivity Ltd.

DIMENSIONS: mm

TOLERANCES UNLESS OTHERWISE SPECIFIED:



0 PLC	± 0.3
1 PLC	± 0.25
2 PLC	± 0.15
3 PLC	± 0.05
4 PLC	± -
ANGLES	± -

MATERIAL FINISH

PRODUCT SPEC

APPLICATION SPEC

WEIGHT

NAME: 2.0MM PITCH HPI CRIMP HOUSING

SIZE: A3 CAGE CODE: 00779 DRAWING NO: C=440129 RESTRICTED TO: -

CUSTOMER DRAWING SCALE: 1:1 SHEET: 1 OF 2 REV: D5

THIS DRAWING IS UNPUBLISHED.

RELEASED FOR PUBLICATION

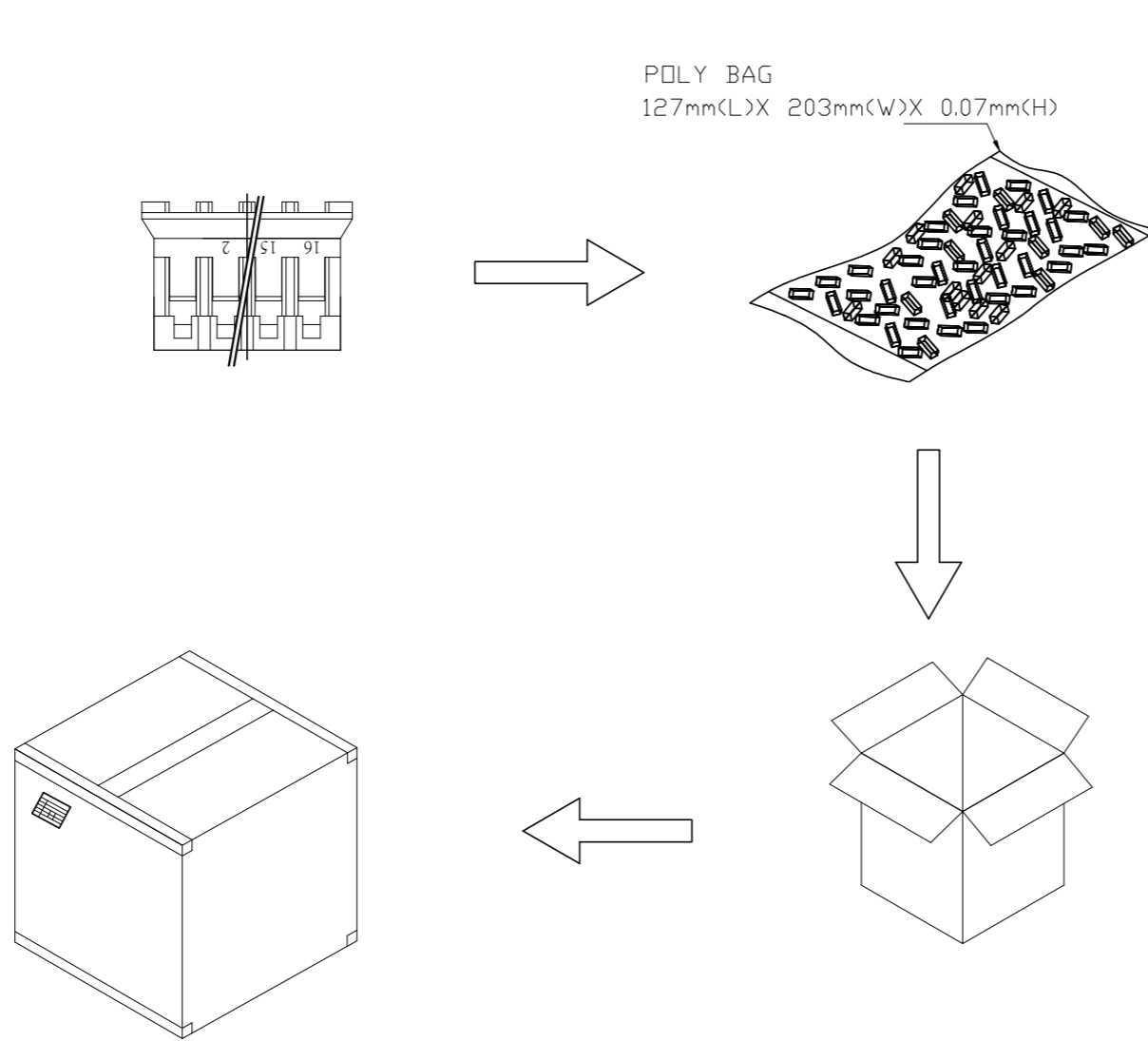
--

REVISIONS

© COPYRIGHT - TE Connectivity Ltd.

ALL RIGHTS RESERVED.

P	LTR	DESCRIPTION	DATE	DWN	APVD
-	-	SEE SHEET 1	-	-	-



CARTON

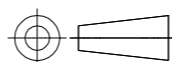
320mm(L)x220mm(W)x140mm(H)
(FOR HEADER 2P~5P ONLY)

340mm(L)x470mm(W)x316mm(H)
(FOR HEADER 6P~16P ONLY)

PCS/CARTON	PCS/BAG	POS	PART NUMBER	PCS/CARTON	PCS/BAG	POS	PART NUMBER
15,000	1,000	5P	7-440129-5				
35,000	1,000	11P	9-440129-1				
15,000	1,000	5P	9-440129-5				
36,000	2,000	4P	9-440129-4				
20,000	1,000	3P	9-440129-3				
15,000	1,000	5P	8-440129-5				
18,000	1,000	4P	8-440129-4				
30,000	1,000	12P	8-440129-1				
50,000	1,000	8P	8-440129-8				
20,000	1,000	3P	8-440129-3				
36,000	2,000	2P	8-440129-2				
15,000	1,000	5P	6-440129-5				
18,000	1,000	4P	6-440129-4				
20,000	1,000	3P	6-440129-3				
36,000	2,000	2P	6-440129-2				
30,000	1,000	12P	5-440129-2				
35,000	1,000	11P	5-440129-1				
40,000	1,000	10P	5-440129-0				
45,000	1,000	9P	4-440129-9				
50,000	1,000	8P	4-440129-8				
10,000	1,000	7P	4-440129-7				
12,000	1,000	6P	4-440129-6				
15,000	1,000	5P	4-440129-5				
18,000	1,000	4P	4-440129-4				
20,000	1,000	3P	4-440129-3				
36,000	2,000	2P	4-440129-2				
15,000	1,000	5P	2-440129-5				
18,000	1,000	4P	2-440129-4				
20,000	1,000	3P	2-440129-3				
45,000	1,000	9P	2-440129-9				
50,000	1,000	8P	2-440129-8				
36,000	2,000	2P	2-440129-2				
25,000	1,000	16P	1-440129-6				
25,000	1,000	15P	1-440129-5				
25,000	1,000	14P	1-440129-4				
30,000	1,000	13P	1-440129-3				
30,000	1,000	12P	1-440129-2				
35,000	1,000	11P	1-440129-1				
40,000	1,000	10P	1-440129-0				
45,000	1,000	9P	440129-9				
50,000	1,000	8P	440129-8				
10,000	1,000	7P	440129-7				
12,000	1,000	6P	440129-6				
15,000	1,000	5P	440129-5				
18,000	1,000	4P	440129-4				
20,000	1,000	3P	440129-3				
36,000	2,000	2P	440129-2				

THIS DRAWING IS A CONTROLLED DOCUMENT.

DIMENSIONS:
mm



TOLERANCES UNLESS OTHERWISE SPECIFIED:

0 PLC	± 0.3
1 PLC	± 0.25
2 PLC	± 0.15
3 PLC	± 0.05
4 PLC	± -
ANGLES	± -

MATERIAL

FINISH

DWN Tommy Qian 17OCT2018
CHK Wenke He 17OCT2018

APVD Wenke He 17OCT2018

PRODUCT SPEC

APPLICATION SPEC

WEIGHT

CUSTOMER DRAWING



NAME
2.0MM PITCH HPI CRIMP HOUSING

SIZE	CAGE CODE	DRAWING NO	RESTRICTED TO
A3	00779	C=440129	-

SCALE 1:1 SHEET 2 OF 2 REV D5