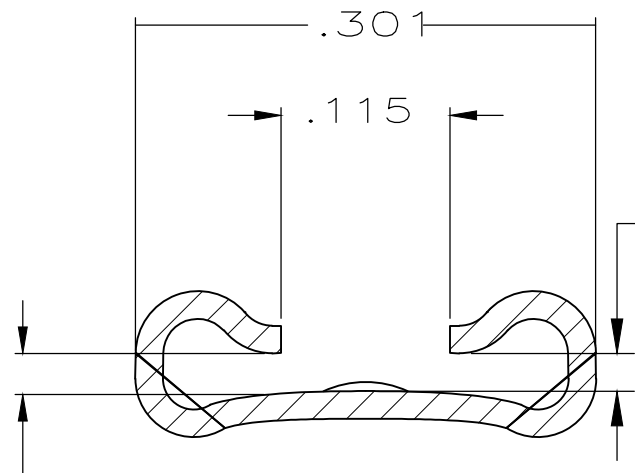
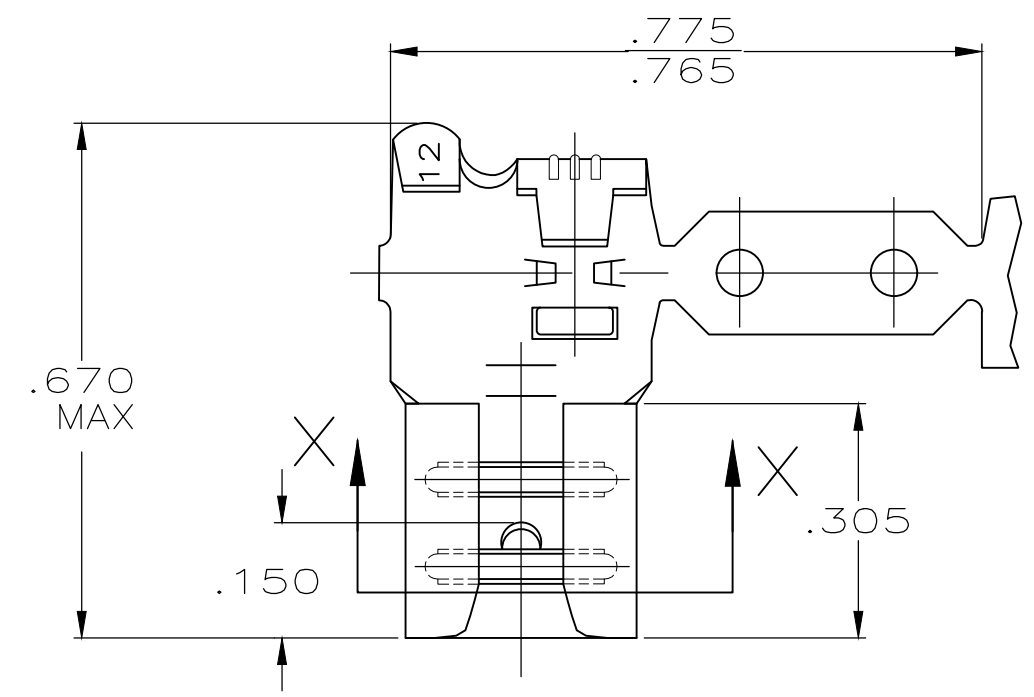


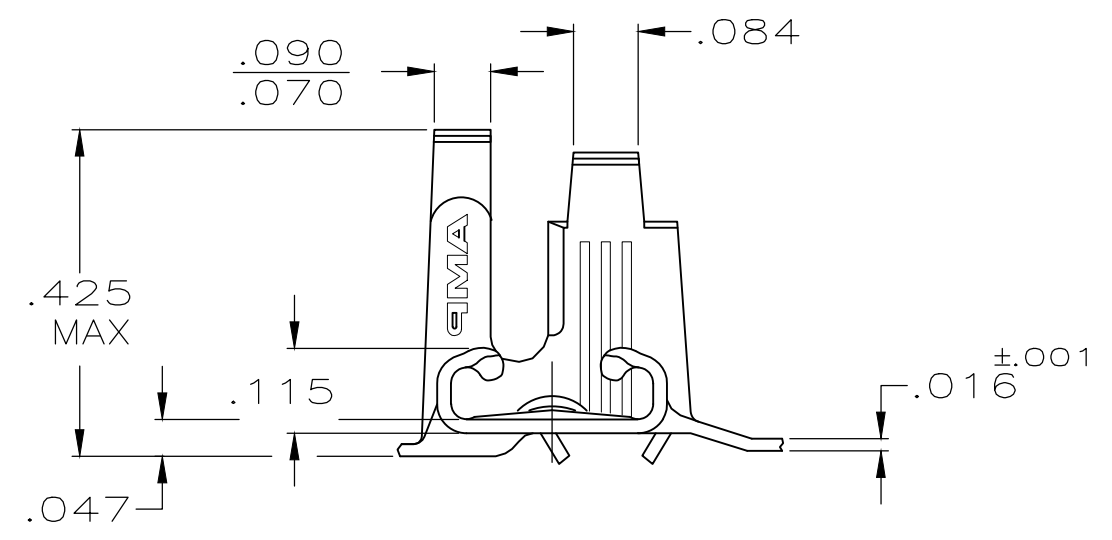
THIS DRAWING IS UNPUBLISHED. RELEASED FOR PUBLICATION
 © COPYRIGHT - By - ALL RIGHTS RESERVED.

LOC	DIST	REVISIONS					
AF	50	P	LTR	DESCRIPTION	DATE	DWN	APVD
			S1	REVISED PER ECR-20-009164	07AUG2020	MK	DH



FITS .250 SERIES FASTON TAB

SECTION X-X
SCALE 8:1



- 1 CONTINUOUS STRIP ON REELS.
- 2 FOREIGN PRODUCTION ONLY.
- 4 MATING TAB THK IS .033-.030
- 5 WIRE SIZE IS #18-#12 AWG
- 6 INSULATION RANGE IS .110-.210 DIA.
- 7 PRELIMINARY - NOT FOR PRODUCTION

.000150 MIN NICKEL	T2 STEEL	7 42742-5
PRE-TIN	4M BRASS	2 42742-3
TIN	BRASS	42742-2
-	BRASS	42742-1
FINISH	MATERIAL	PART NO

THIS DRAWING IS A CONTROLLED DOCUMENT.		DWN	JR RUTH	1/23/91	TE Connectivity RECEPTACLE, FASTON,™ FLAG, .250 SERIES						
DIMENSIONS: INCHES		CHK	MS FEHER	1/24/93				NAME			
TOLERANCES UNLESS OTHERWISE SPECIFIED:		APVD	J GILLESPIE	1/24/93				PRODUCT SPEC			
0 PLC ± - 1 PLC ± - 2 PLC ± - 3 PLC ± .015 4 PLC ± - ANGLES ± -		APPLICATION SPEC		RESTRICTED TO							
MATERIAL	BRASS	FINISH	SEE TABLE	WEIGHT	-	SIZE	A3	CAGE CODE	00779	DRAWING NO	C-42742
CUSTOMER DRAWING				SCALE	4:1	SHEET	1 OF 1	REV	S1		