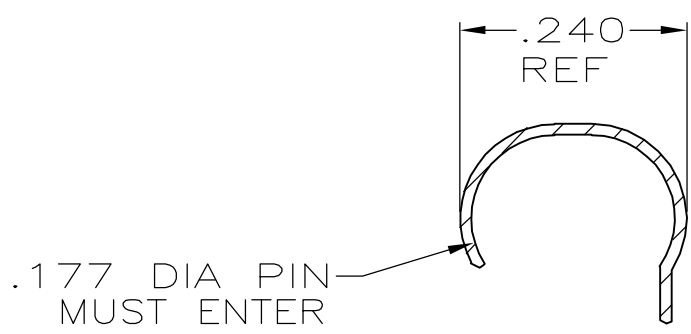
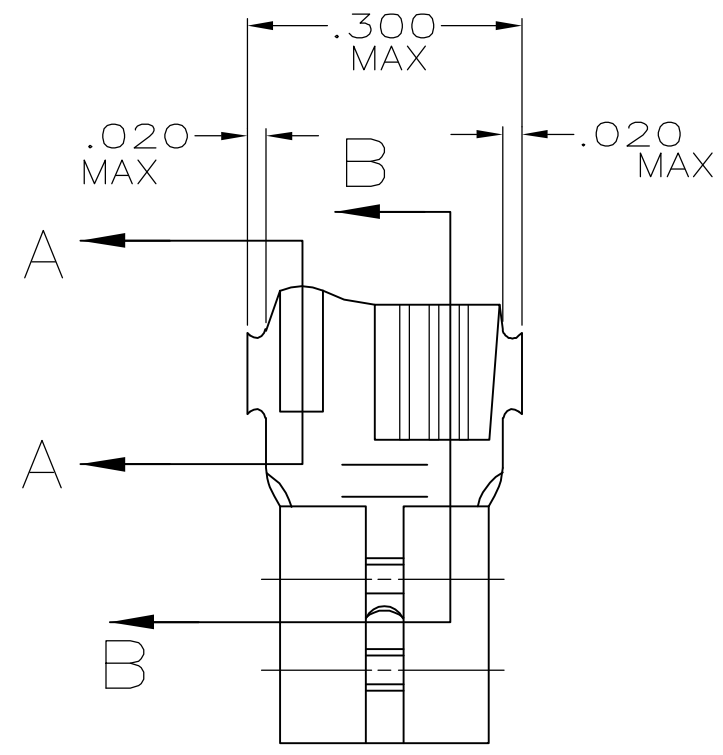


THIS DRAWING IS UNPUBLISHED. RELEASED FOR PUBLICATION
 © COPYRIGHT BY TYCO ELECTRONICS CORPORATION. ALL RIGHTS RESERVED.

LOC	DIST	REVISIONS					
AF	50	P	LTR	DESCRIPTION	DATE	DWN	APVD
			A	DRAWN	-	-	-



- 1 SUPPLIED IN LOOSE PIECE
- 2 WIRE SIZE IS #20-#16 AWG, BARREL IS PRE-CRIMPED
- 3 INSULATION RANGE, .100-.170 DIA BARREL IS PRE-CRIMPED
- 4 MATING TAB THK IS .020±.001
- △5 FOR FOREIGN PRODUCTION ONLY

SECTION A-A

SECTION B-B

OBSOLETE	SILVER	42698-3
	TIN	△5 42698-2
OBSOLETE		42698-1
	PART NO.	PART NO.

THIS DRAWING IS A CONTROLLED DOCUMENT.		DWN JR RUTH 23FEB06	Tyco Electronics Corporation Harrisburg, PA 17105-3608	
DIMENSIONS: INCHES		CHK P DESANTIS 23FEB06		
TOLERANCES UNLESS OTHERWISE SPECIFIED:		APVD P DESANTIS 23FEB06	NAME	
0 PLC ± - 1 PLC ± - 2 PLC ± - 3 PLC ± .010 4 PLC ± - ANGLES ± -		PRODUCT SPEC	RECEPTACLE, FASTON, FLAG, .187 SERIES	
MATERIAL BRASS		FINISH SEE TABLE	APPLICATION SPEC	
		WEIGHT -	SIZE A3	CAGE CODE 00779
		CUSTOMER DRAWING	DRAWING NO C-42698	RESTRICTED TO -
		SCALE 5:1	SHEET 1 of 1	REV A