

THIS DRAWING IS UNPUBLISHED.

RELEASED FOR PUBLICATION

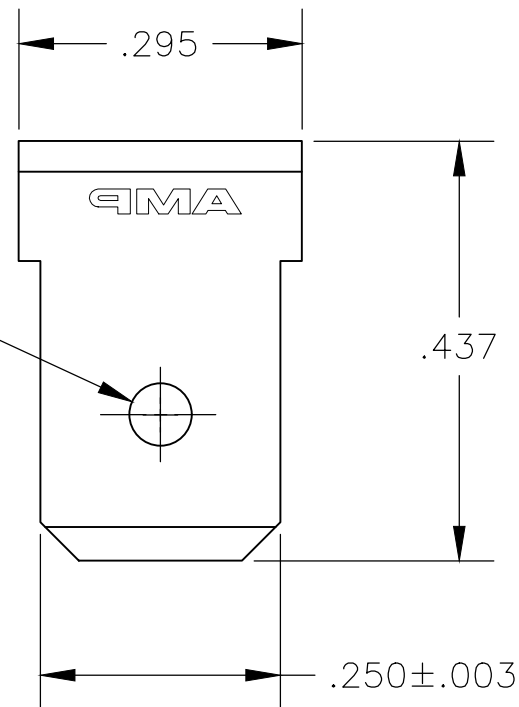
REVISIONS

© COPYRIGHT - TE Connectivity Ltd.

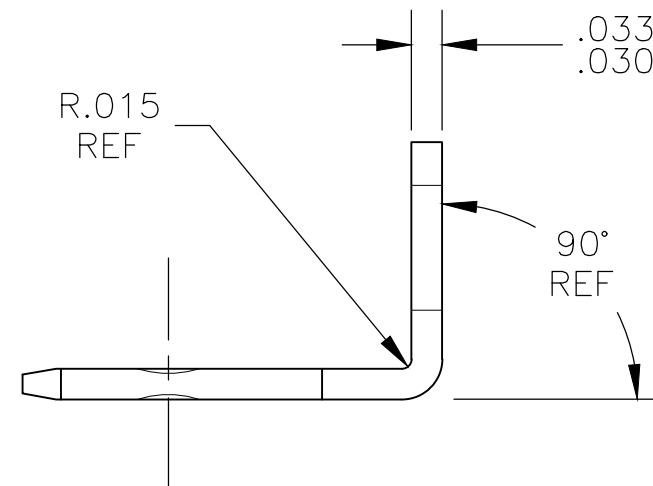
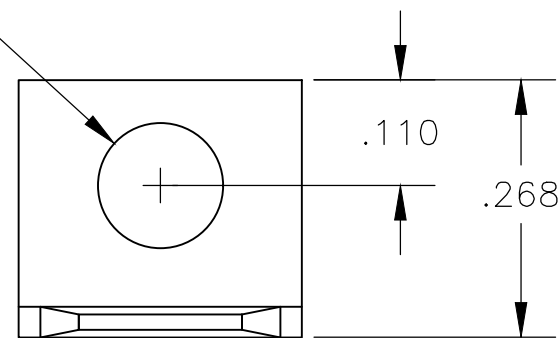
ALL RIGHTS RESERVED.

P	LTR	DESCRIPTION	DATE	DWN	APVD
	F1	REVISED PER ECR-19-017832	12DEC2019	PC	DH


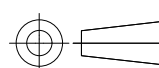
DIMPLE BOTH SIDES



Ø.130±.003



TIN	42117-2
NONE	42117-1
FINISH	PART NO

THIS DRAWING IS A CONTROLLED DOCUMENT.		DWN jr_ruth 26JUL04	 TE Connectivity			
DIMENSIONS: INCHES		CHK KRISTY YI 26JUL04				
TOLERANCES UNLESS OTHERWISE SPECIFIED:		APVD KRISTY YI 26JUL04	NAME TAB, FASTON, .250 SERIES			
 0 PLC ± - 1 PLC ± - 2 PLC ± - 3 PLC ± .015 4 PLC ± - ANGLES ± -		PRODUCT SPEC -	RESTRICTED TO -			
MATERIAL 082 BRASS		FINISH SEE TABLE	APPLICATION SPEC -	SIZE A3	CAGE CODE 00779	DRAWING NO C-42117
CUSTOMER DRAWING			WEIGHT -	SCALE 5:1	SHEET 1 OF 1	REV F1