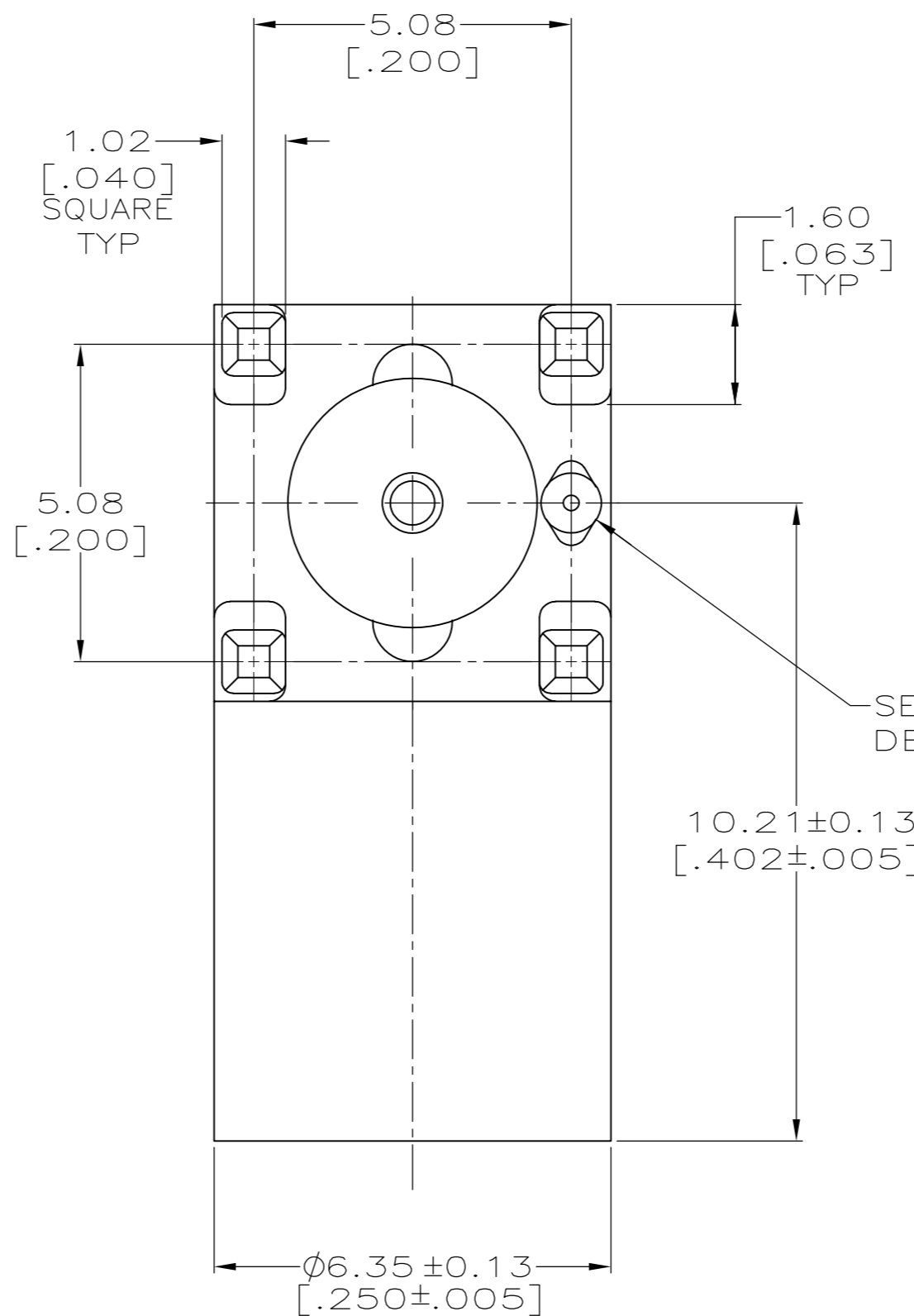
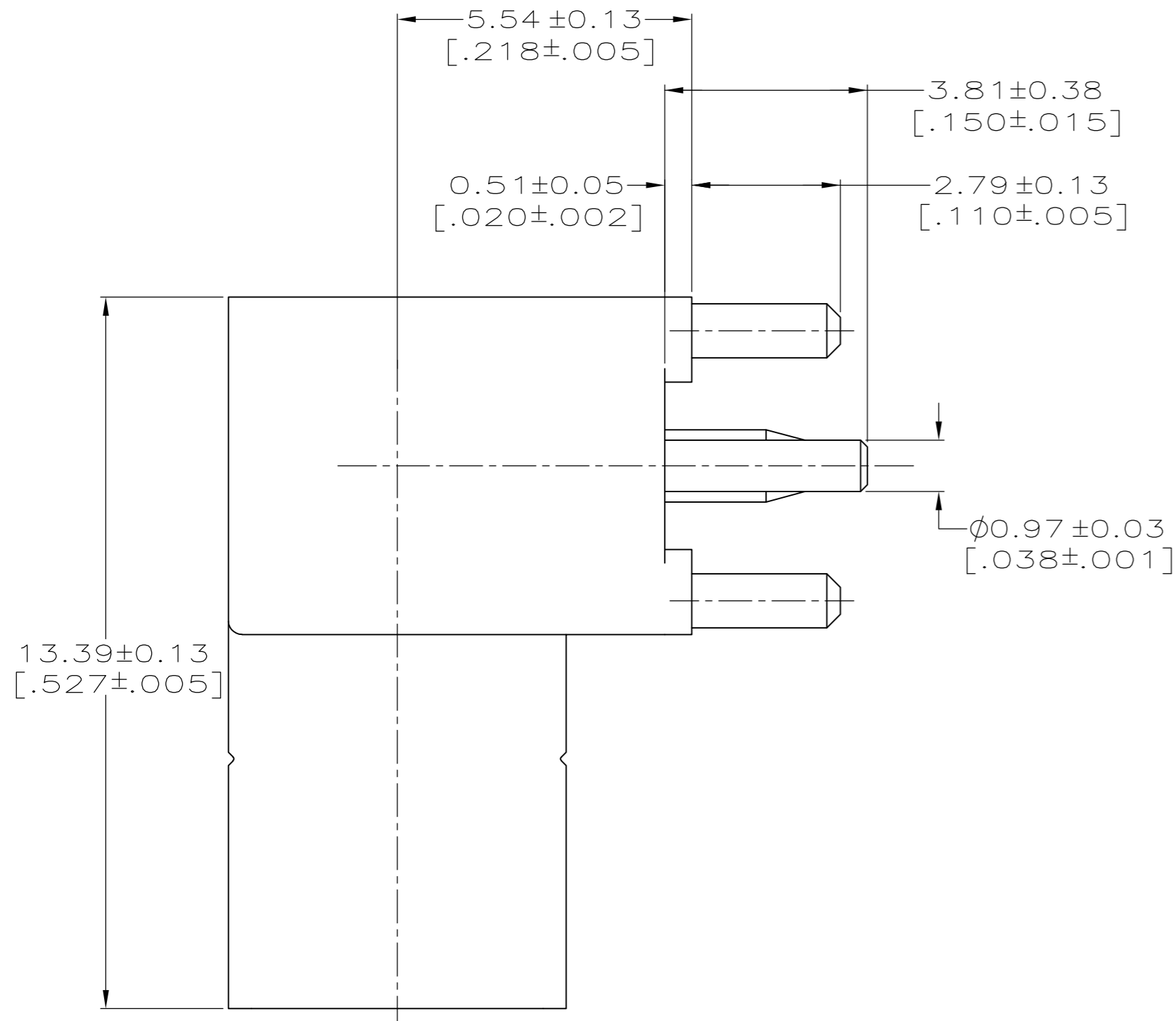


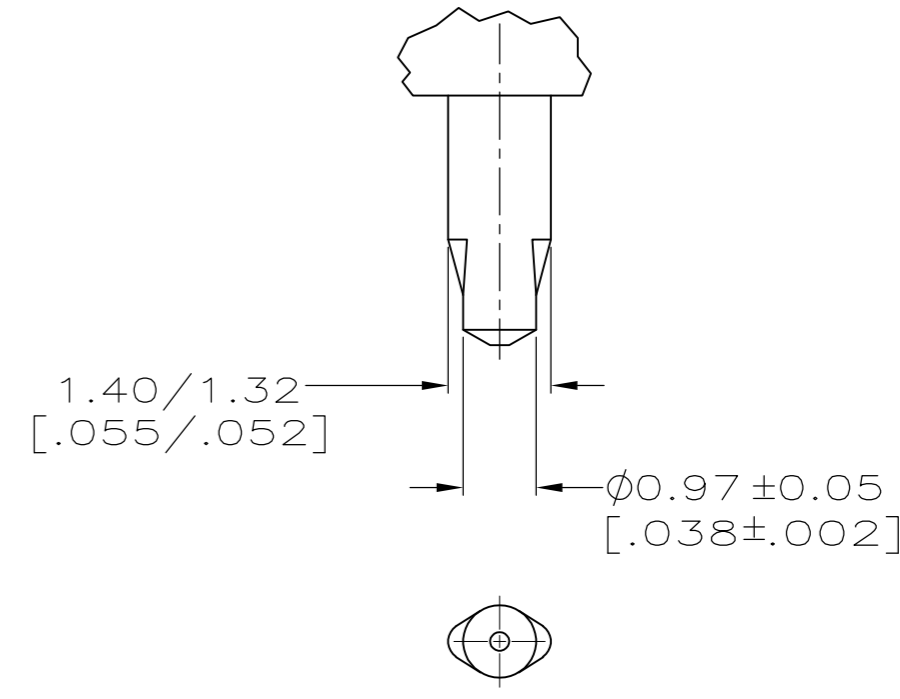
THIS DRAWING IS UNPUBLISHED. RELEASED FOR PUBLICATION
 © COPYRIGHT - By - ALL RIGHTS RESERVED.

LOC	DIST	REVISIONS			
P	LTR	DESCRIPTION	DATE	DWN	APVD
AJ	16	A	ECR-12-005726	27MAR12	RK MY

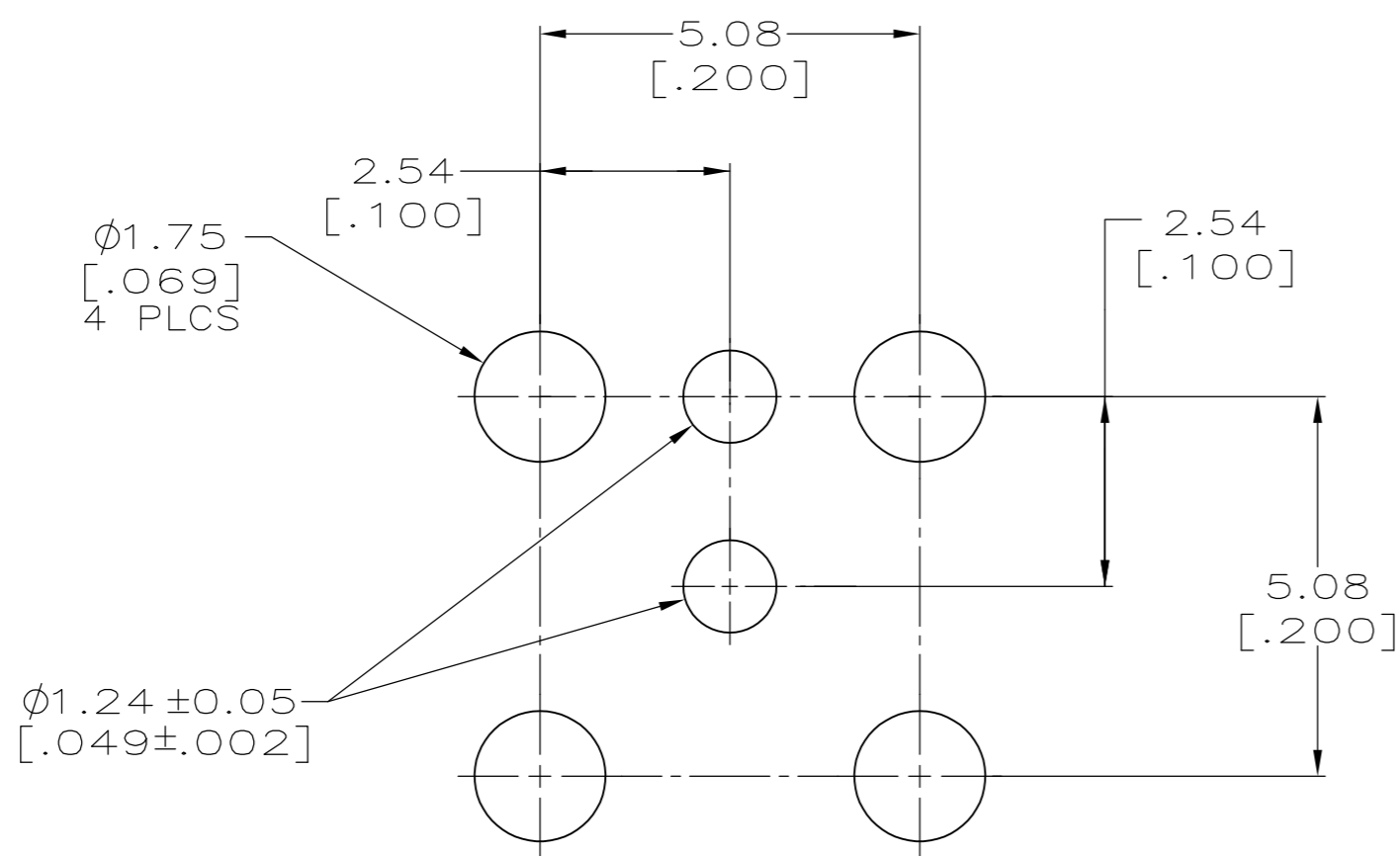


- ▲ MATERIALS:
 PLUG SHELL: ZINC ALLOY.
 CENTER CONTACT: BERYLLIUM COPPER PER ASTM-B-196.
 OUTER CONTACT: BERYLLIUM COPPER PER ASTM-B-194.
 DIELECTRICS: PTFE PER ASTM-D-1710.
- ▲ FINISHES:
 PLUG SHELL: NICKEL PER QQ-N-290.
 CENTER CONTACT: GOLD PER MIL-G-45204.
 OUTER CONTACT: NICKEL PER QQ-N-290.
- 3. INTERFACE PER MIL-C-39012.

SEE KEYING LEG DETAIL



KEYING LEG DETAIL



RECOMMENDED PCB CONFIGURATION

415380-1
 PART NUMBER

THIS DRAWING IS A CONTROLLED DOCUMENT.		DWN M. O'BRINE 01MAY00	TE Connectivity	
DIMENSIONS: mm [INCHES]		CHK B. MOYER 01MAY00		
TOLERANCES UNLESS OTHERWISE SPECIFIED:		APVD B. MOYER 01MAY00	NAME PLUG, RIGHT ANGLE, PCB, SMB	
0 PLC ± - 1 PLC ± - 2 PLC ± 0.08 [.003] 3 PLC ± - 4 PLC ± - ANGLES ± - FINISH		PRODUCT SPEC APPLICATION SPEC	SIZE A2	CAGE CODE 00779
MATERIAL ▲		WEIGHT -	DRAWING NO C=415380	RESTRICTED TO -
CUSTOMER DRAWING		SCALE 10:1	SHEET 1 of 1	REV A