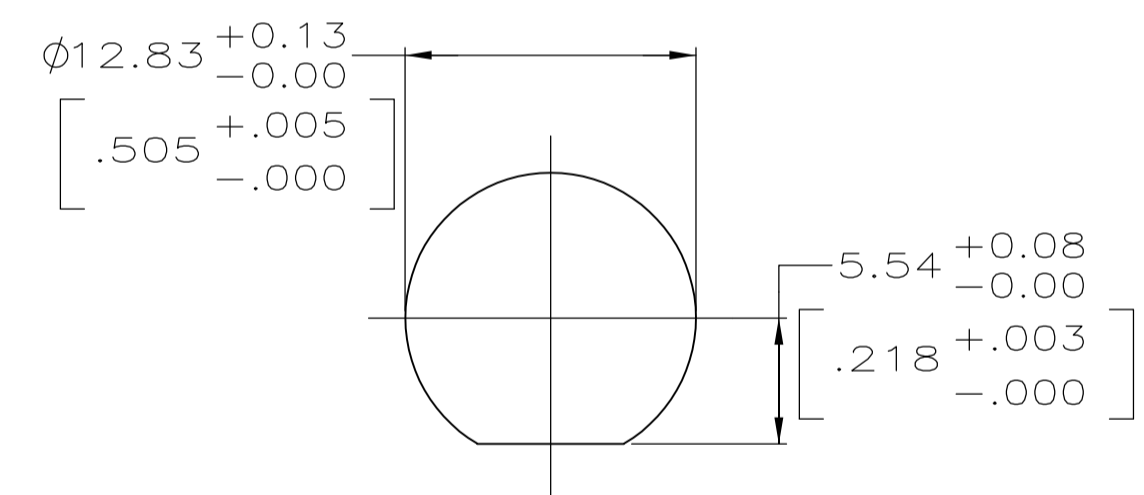
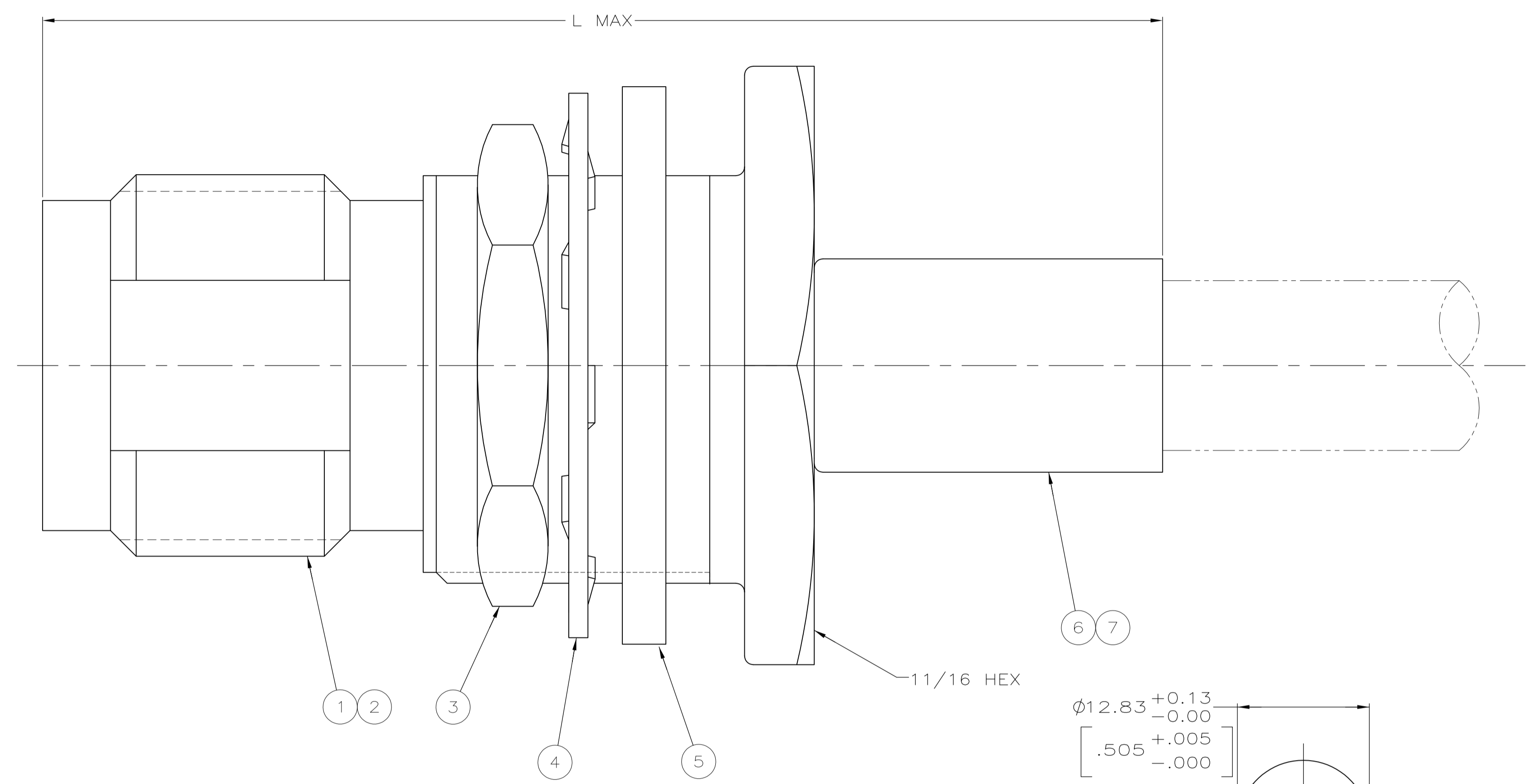
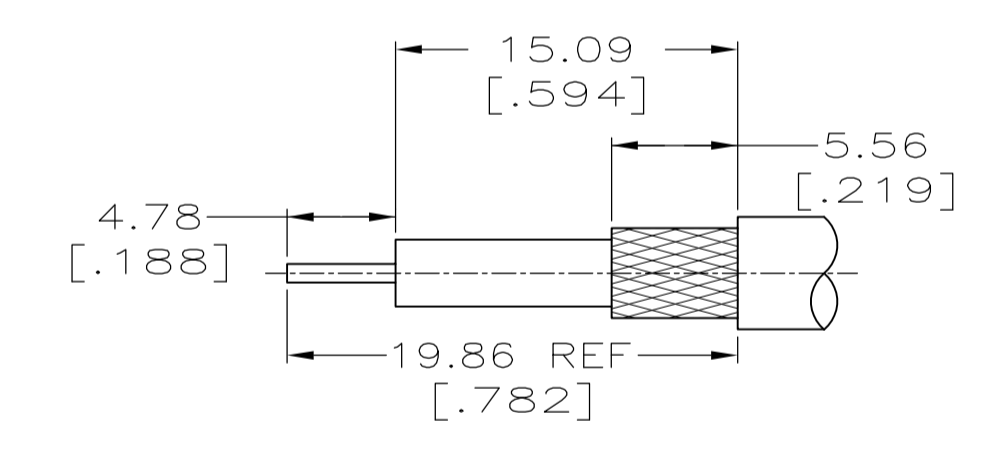


LOC		DIST		REVISIONS			
REV	DATE	BY	CHK	DESCRIPTION	DATE	DWN	APVD
AJ	16	F1		REVISED PER ECO-06-018704	06SEP2006	MC	JH
		F2		REVISED PER ECO-09-021510	12SEP09	KK	AEG

- ⚠ USE HAND TOOL: 354940-1
- 2. MAXIMUM PANEL THICKNESS: 6.10 [.240]
- 3. SEE I.S. 9051
- ⚠ OBSOLETE PARTS: OBSOLETE CIS STREAMLINING PER D.RENAUD/D.SINISI



RECOMMENDED PANEL CUTOUT  
SCALE: 3:1



RECOMMENDED STRIP LENGTH  
SCALE: 3:1

⚠	RG-55/U, 55A/U, 55B/U, 223/U	34.93 [1.375]	220189-1		9-329099-0	329633	1-329632-2	1-329631-2	221149-6	414169-1	414168-6	
OBSOLETE	RG-142/U, 142A/U, 142B/U, 400/U	34.93 [1.375]	220189-1		9-225382-0	329633	1-329632-2	1-329631-2	2-221149-6	414169-1	414168-5	
OBSOLETE	RG-188/U, 316/U TYPE DOUBLE BRAID	34.93 [1.375]	58330-1	21427-4	9-329049-0	329633	1-329632-2	1-329631-2	2-221149-0	414169-3	414168-4	
	RG-174/U, 188/U, 316/U	34.93 [1.375]	220210-1	21427-4	9-328666-0	329633	1-329632-2	1-329631-2	2-221149-0	414169-3	414168-3	
OBSOLETE	RG-59/U, 59A/U, 59B/U	34.93 [1.375]	220189-2	-	9-50428-0	329633	1-329632-2	1-329631-2	1-221149-3	414169-2	414168-2	
⚠	RG-58/U, 58A/U, 58B/U, 58C/U, 141/U, 141A/U	34.93 [1.375]	220189-1		9-50427-1	329633	1-329632-2	1-329631-2	221149-6	414169-1	414168-1	
	FOR USE WITH CABLE	L	DIE SET	⚠	7 BUSHING QTY=1	6 FERRULE QTY=1	5 GASKET QTY=1	4 LOCKWASHER QTY=1	3 JAM NUT QTY=1	2 CONTACT QTY=1	1 JACK ASSEMBLY QTY=1	PART NUMBER

THIS DRAWING IS A CONTROLLED DOCUMENT.

DIMENSIONS: INCHES	TOLERANCES UNLESS OTHERWISE SPECIFIED:	DIN M. COWER 21AUG91	Tyco Electronics Corporation Harrisburg, PA 17105-3608
0 PLC ± -	1 PLC ± -	CHK: J. LIPPERT 06SEP91	
2 PLC ± -	3 PLC ± 0.41[.016]	NAME: M. PHILLIPS 06SEP91	PRODUCT SPEC: JACK BULKHEAD, COMMERCIAL TNC
4 PLC ± -	ANGLES ± -	APVD: M. PHILLIPS	APPLICATION SPEC: 108-12047
MATERIAL: -	FINISH: -	SIZE: A1	RESTRICTED TO: -
		WEIGHT: -	SCALE: 10:1
		CUSTOMER DRAWING	SHEET 1 OF 1 REV F2