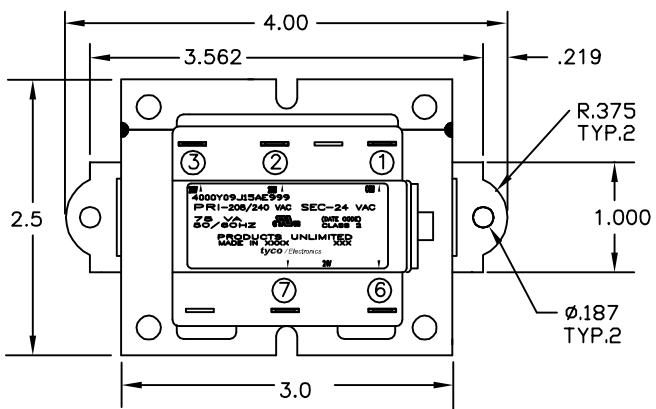


THIS DRAWING IS UNPUBLISHED. RELEASED FOR PUBLICATION
 © COPYRIGHT - BY TYCO ELECTRONICS CORPORATION. ALL RIGHTS RESERVED.

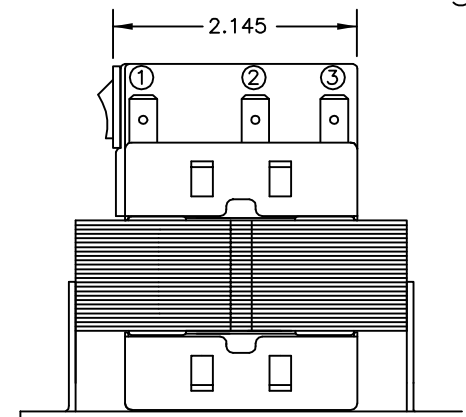
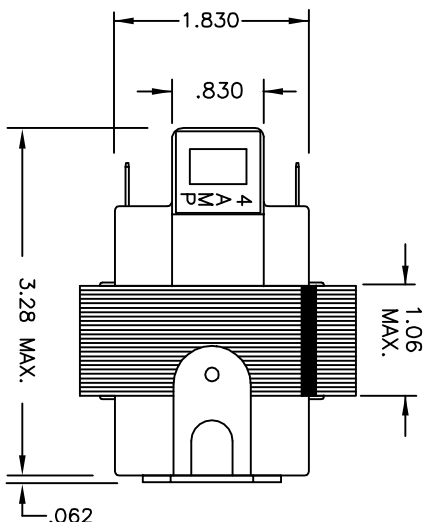
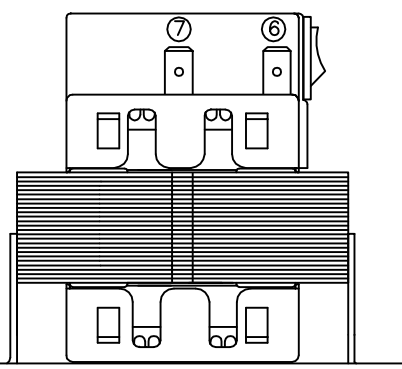
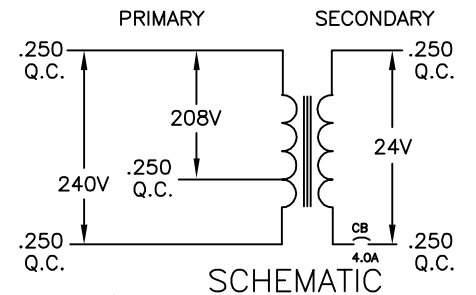
LOC	DIST	REVISIONS					
GZ	00	P	LTR	DESCRIPTION	DATE	DWN	APVD
		A		NEW FORMAT & EC0720-0161-04	11MAR04	MD	KH



PRIMARY				
TERMINAL NO.	1	2	3	4
VOLTAGE	COM	208	240	
TERMINAL WIDTH	.250	.250	.250	
TERMINAL THICKNESS	.032	.032	.032	

- NOTES
1. DIMENSIONS FOR REFERENCE ONLY.
 2. WINDING PROTECTION- 4.0 AMP CIRCUIT BREAKER IN SECONDARY NON-INHERENTLY LIMITING

CERTIFICATION: UL & CUL FILE NO. E87824			
SECONDARY			
TERMINAL NO.	6	7	8
VOLTAGE	24	VAC	
TERMINAL WIDTH	.250	.250	
TERMINAL THICKNESS	.032	.032	



CUST. NO.	TYCO PART NUMBER
-	6-1611469-4

THIS DRAWING IS A CONTROLLED DOCUMENT.		DWN	M.DAVIS	11MAR04		Tyco Electronics Corporation	
		CHK	K.HOLSCHUH	11MAR04		Harrisburg, Pa 17105-3608	
		APVD	K.HOLSCHUH	11MAR04	NAME		
		PRODUCT SPEC			TRANSFORMER OUTLINE		
		APPLICATION SPEC			-		
		WEIGHT			-		
		SIZE	A3	CAGE CODE	00779	DRAWING NO	C=4000Y09J15AE999
		CUSTOMER DRAWING			SCALE	NTS	SHEET 1 OF 1
					REV A		

DIMENSIONS:	TOLERANCES UNLESS OTHERWISE SPECIFIED:
INCHES	
	0 PLC ± -
	1 PLC ± -
	2 PLC ± -
	3 PLC ± -
	4 PLC ± -
	ANGLES ± -

MATERIAL	FINISH
-	-