

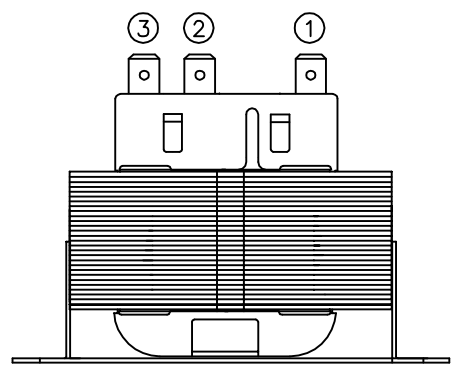
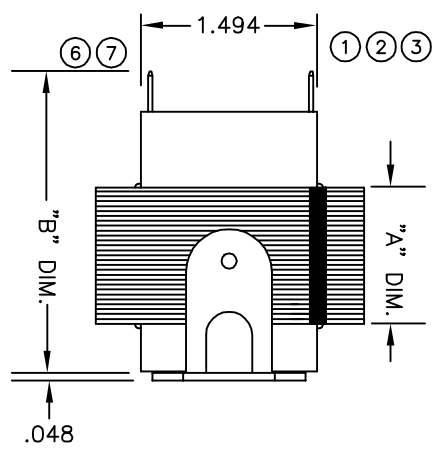
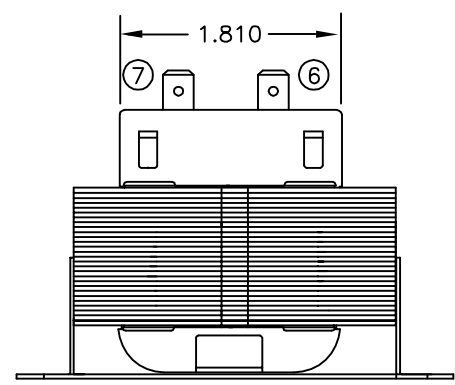
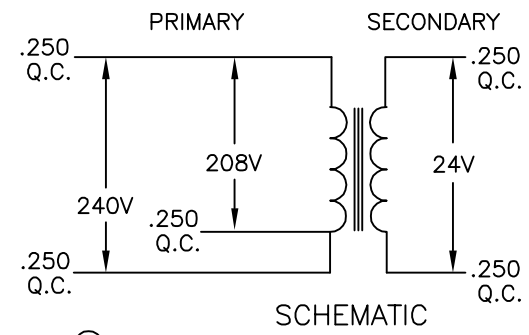
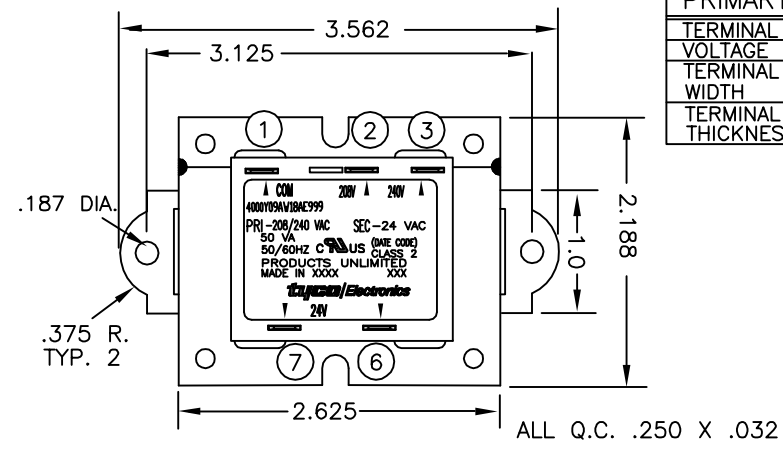
THIS DRAWING IS UNPUBLISHED. RELEASED FOR PUBLICATION - .02FEB04
 © COPYRIGHT - BY TYCO ELECTRONICS CORPORATION. ALL RIGHTS RESERVED.

LOC	DIST	REVISIONS					
GZ	00	P	LTR	DESCRIPTION	DATE	DWN	APVD
		0		EC0720-0195-04	30MAR04	MD	WS

PRIMARY			
TERMINAL NO.	1	2	3
VOLTAGE	COM	208	240
TERMINAL WIDTH	.250	.250	.250
TERMINAL THICKNESS	.032	.032	.032

- NOTES
 1. DIMENSIONS FOR REFERENCE ONLY.
 2. WINDING PROTECTION—INHERENTLY LIMITING

CERTIFICATION: UL & CUL FILE NO. E87824		
SECONDARY		
TERMINAL NO.	6	7
VOLTAGE	24	VAC
TERMINAL WIDTH	.250	.250
TERMINAL THICKNESS	.032	.032



CUST. NO.	TYCO PART NUMBER
-	4-1611471-6

THIS DRAWING IS A CONTROLLED DOCUMENT.		DWN	M.DAVIS	02FEB04	Products UNLIMITED	Tyco Electronics Corporation	
		CHK	W.SORAH	02FEB04		Harrisburg, Pa 17105-3608	
DIMENSIONS:		APVD	W.SORAH	02FEB04	NAME		
INCHES		PRODUCT SPEC			TRANSFORMER OUTLINE		
TOLERANCES UNLESS OTHERWISE SPECIFIED:		APPLICATION SPEC			-		
0 PLC ±		-			SIZE		
1 PLC ±		-			CAGE CODE		
2 PLC ±		-			DRAWING NO		
3 PLC ±		-			RESTRICTED TO		
4 PLC ±		-			A3 00779 C=4000Y09AW18AE999		
ANGLES ±1°		WEIGHT			-		
MATERIAL		CUSTOMER DRAWING			SCALE		
-		-			NTS		
FINISH		SHEET			1 OF 1		
-		REV			0		