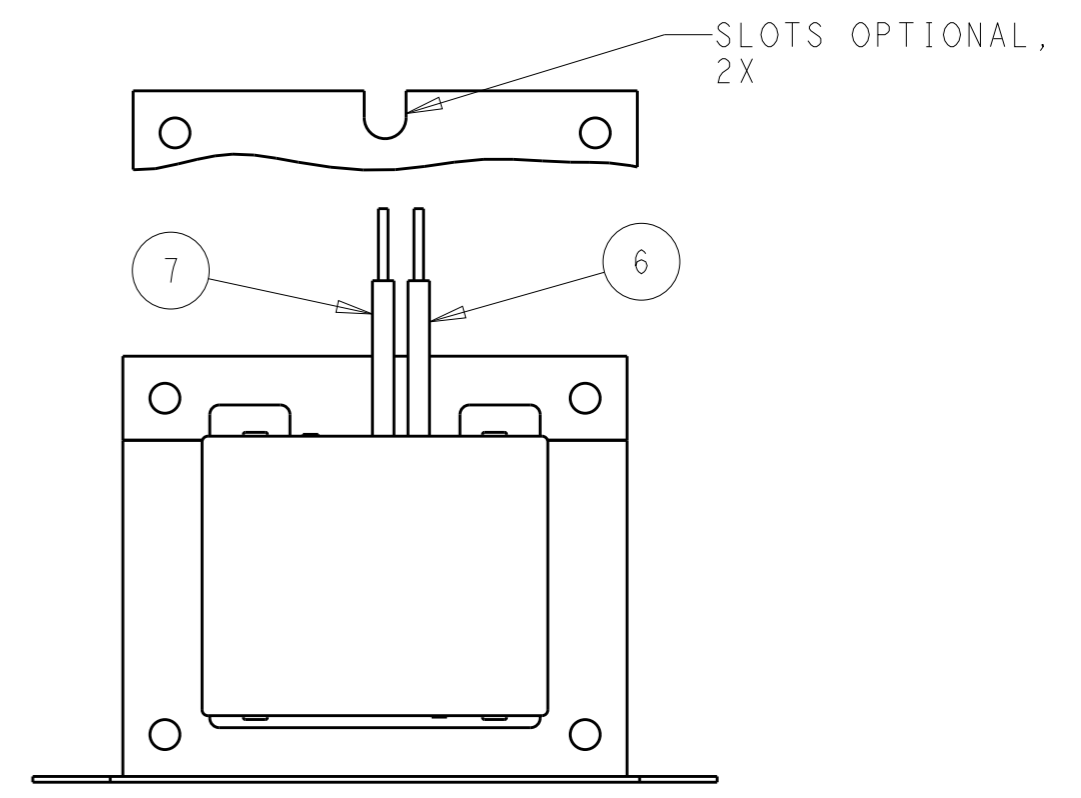
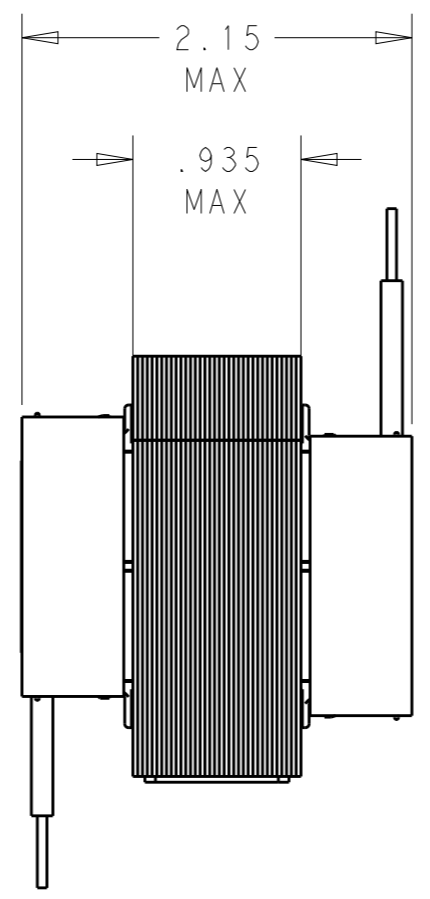
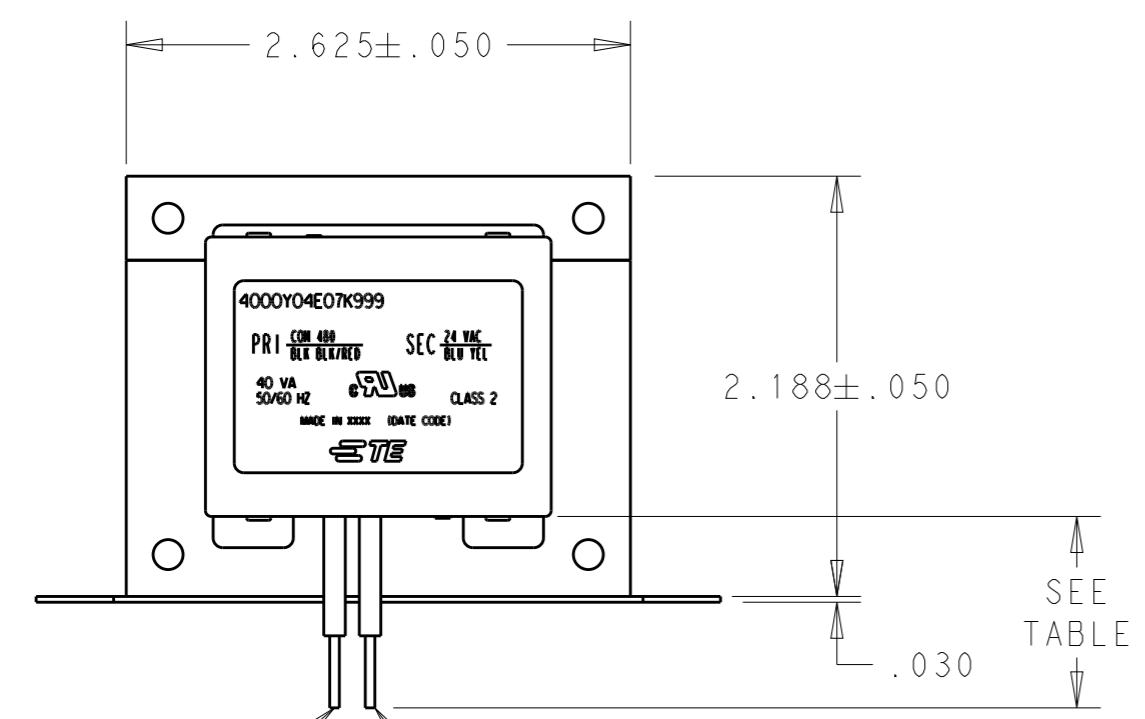
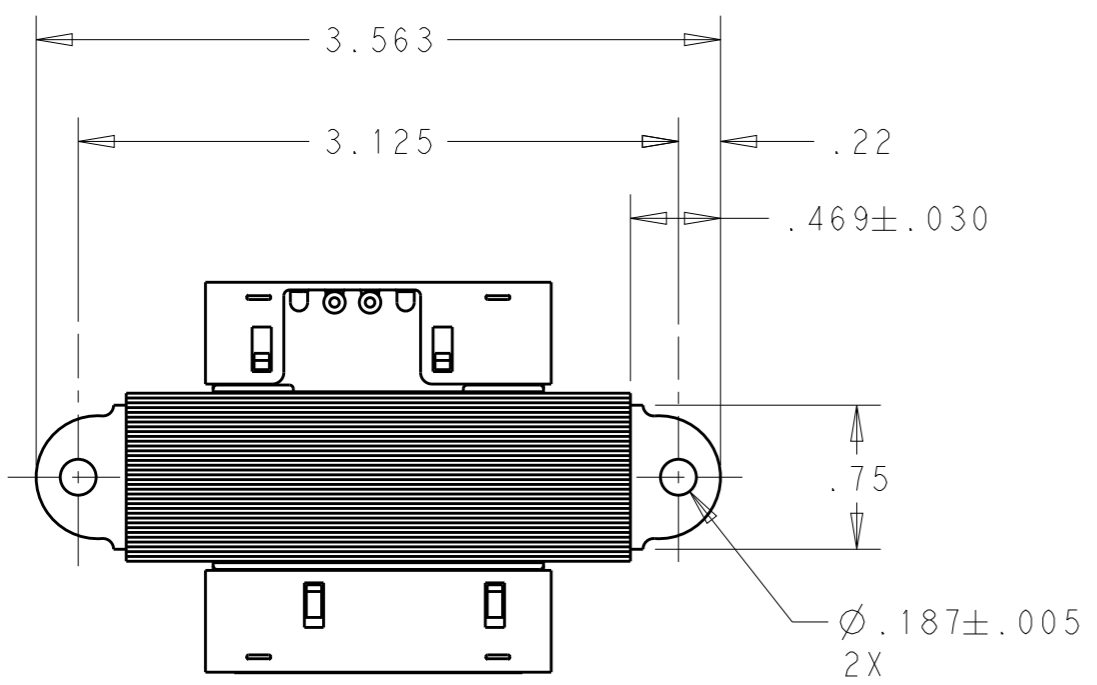


THIS DRAWING IS UNPUBLISHED. RELEASED FOR PUBLICATION 20
 © COPYRIGHT 20 BY - ALL RIGHTS RESERVED.

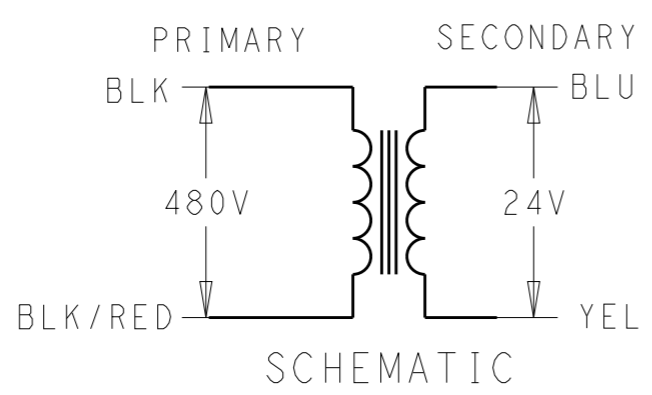
REVISIONS				
P	LTR	DESCRIPTION	DATE	APVD
	A	ECR-15-018707	13JAN2016	VS DB



CERTIFICATION: UL & CUL FILE NO. E87824

PRIMARY			SECONDARY		
LEAD NO.	1	2	LEAD NO.	6	7
VOLTAGE	COM	480	VOLTAGE	24	VAC
COLOR	BLK	BLK/RED	COLOR	BLU	YEL
LENGTH	12.0	12.0	LENGTH	12.0	12.0
STRIP LENGTH	.50	.50	STRIP LENGTH	.50	.50

1. ALL LEADS ARE 18AWG UNLESS OTHERWISE SPECIFIED AND HAVE A TOLERANCE OF +1.0/-0
2. STRIP TOLERANCE IS ±1/32.
3. WINDING PROTECTION: INHERENTLY LIMITING.



4-1611471-3
TE PART NO.

THIS DRAWING IS A CONTROLLED DOCUMENT.

DIMENSIONS: INCHES	TOLERANCES UNLESS OTHERWISE SPECIFIED:
	0 PLC ±-
	1 PLC ±.1
	2 PLC ±.03
	3 PLC ±.015
	4 PLC ±-
	ANGLES ±-

MATERIAL: - FINISH: -

DWN	VIC SLACK	13JAN2016
CHK	D. BLOESCH	13JAN2016
APVD	D. BLOESCH	13JAN2016
PRODUCT SPEC	-	-
APPLICATION SPEC	-	-
WEIGHT	-	-
CUSTOMER DRAWING		

STE TE Connectivity

NAME: TRANSFORMER OUTLINE

SIZE	CAGE CODE	DRAWING NO	RESTRICTED TO
A3	-	4000Y04E07K999	-

SCALE: 1:1 SHEET: 1 OF 1 REV: A