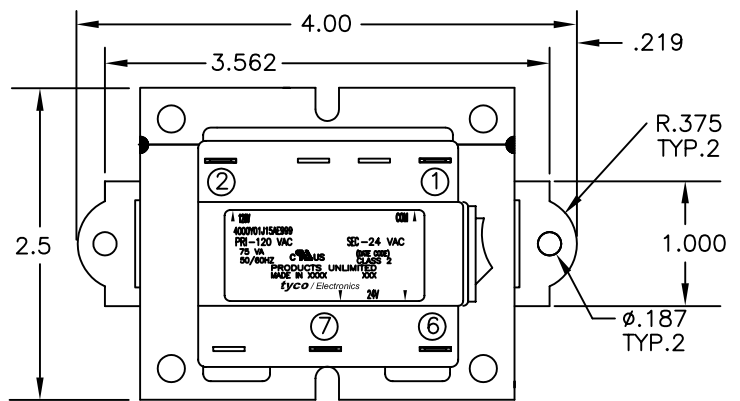


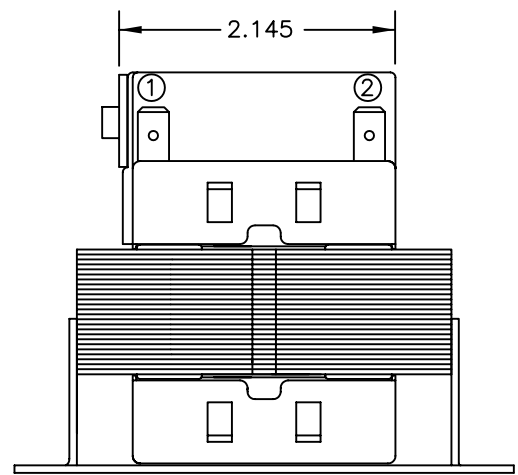
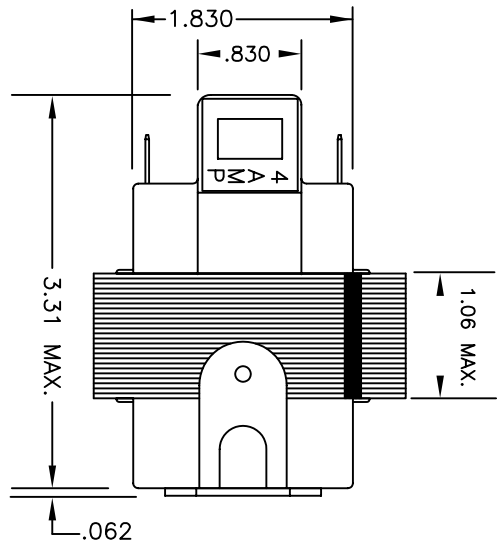
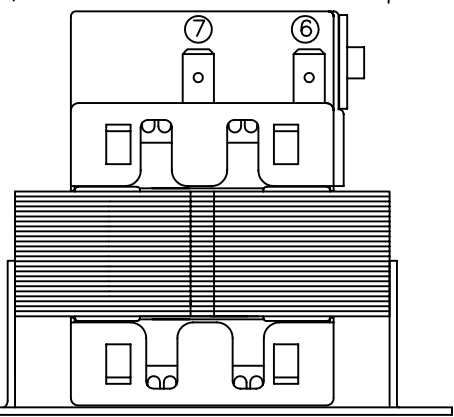
THIS DRAWING IS UNPUBLISHED. RELEASED FOR PUBLICATION  
 © COPYRIGHT BY TYCO ELECTRONICS CORPORATION. ALL RIGHTS RESERVED.

LOC	DIST	REVISIONS					
GZ	00	P	LTR	DESCRIPTION	DATE	DWN	APVD
		B		ECR-06-021562	12SEP06	KH	HT

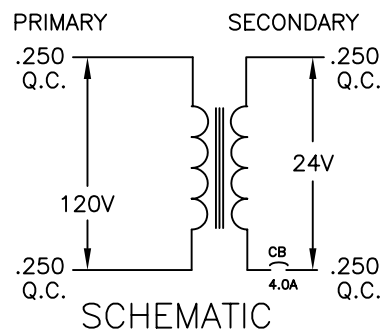


PRIMARY					NOTES 1. DIMENSIONS FOR REFERENCE ONLY. 2. WINDING PROTECTION—4.0 AMP CIRCUIT BREAKER IN SECONDARY NON-NHERENTLY LIMITED	SECONDARY					
TERM NO.	1	2	3	4		5	TERM NO.	6	7	8	9
VOLTAGE	COM	120					VOLTAGE	24	VAC		
TERMINAL WIDTH	.250	.250					TERMINAL WIDTH	.250	.250		
TERMINAL THICKNESS	.032	.032				TERMINAL THICKNESS	.032	.032			

C



B



TYCO PART NUMBER  
4-1611469-0

THIS DRAWING IS A CONTROLLED DOCUMENT.		DWN	21JAN03	Tyco Electronics Corporation Harrisburg, PA 17105-3608	
DIMENSIONS: INCHES		CHK	21JAN03		
TOLERANCES UNLESS OTHERWISE SPECIFIED:		APVD	21JAN03		
0 PLC ± - 1 PLC ± - 2 PLC ± .01 3 PLC ± .005 4 PLC ± - ANGLES ± -		HT		NAME	
MATERIAL		PRODUCT SPEC		TRANSFORMER OUTLINE	
FINISH		APPLICATION SPEC		P.U. STOCK	
		WEIGHT		SIZE	CAGE CODE
		CUSTOMER DRAWING		A3	00779
		SCALE		DRAWING NO	RESTRICTED TO
		1:1		C=4000Y01J15AE999	
		SHEET		REV	
		1 OF 1		B	