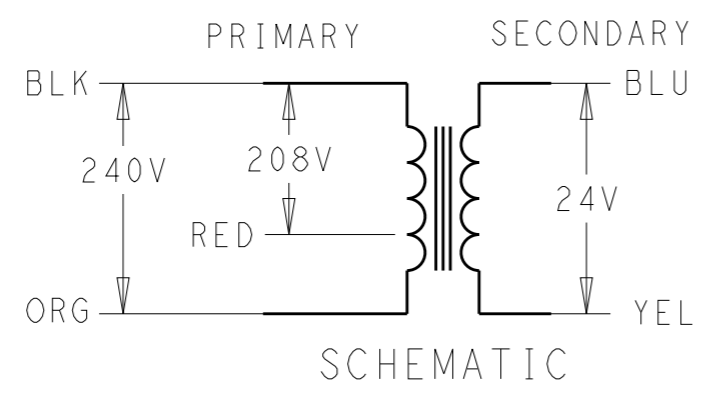
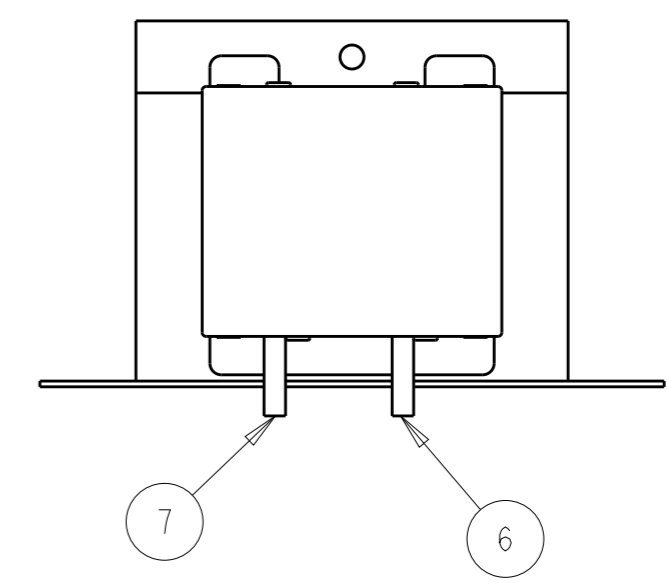
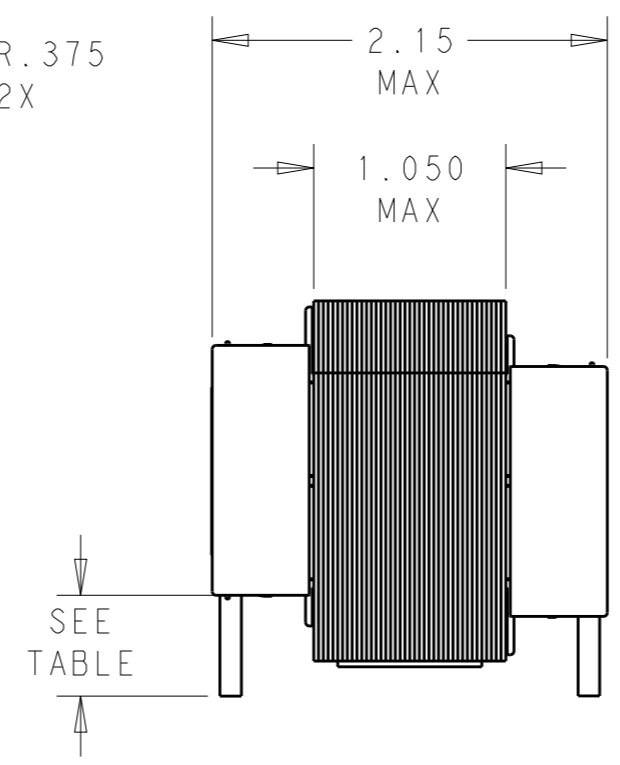
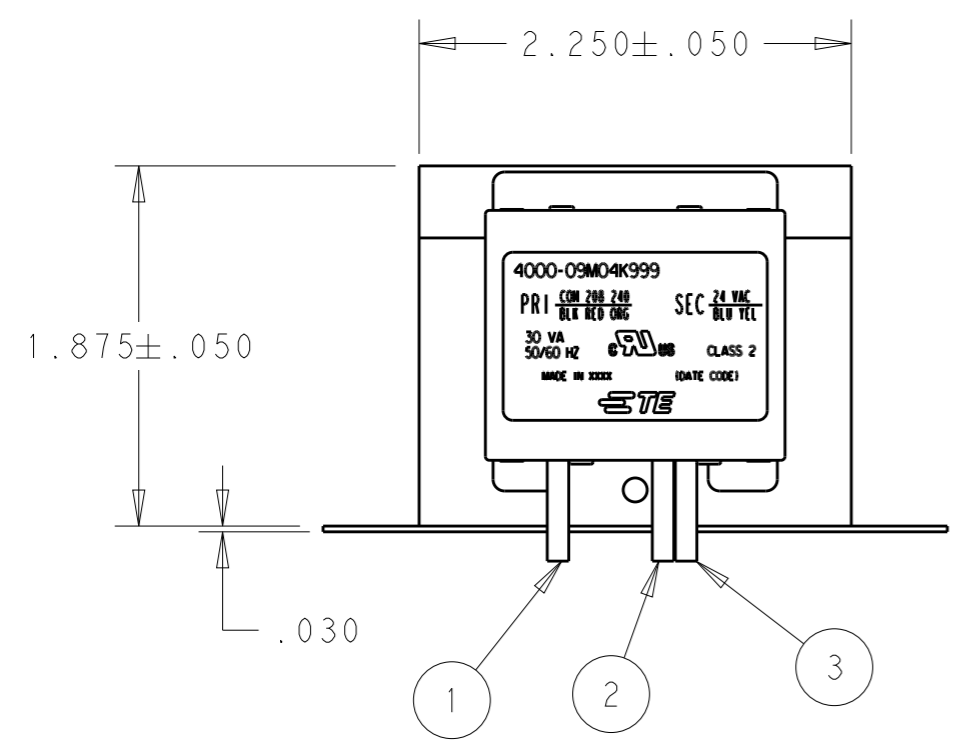
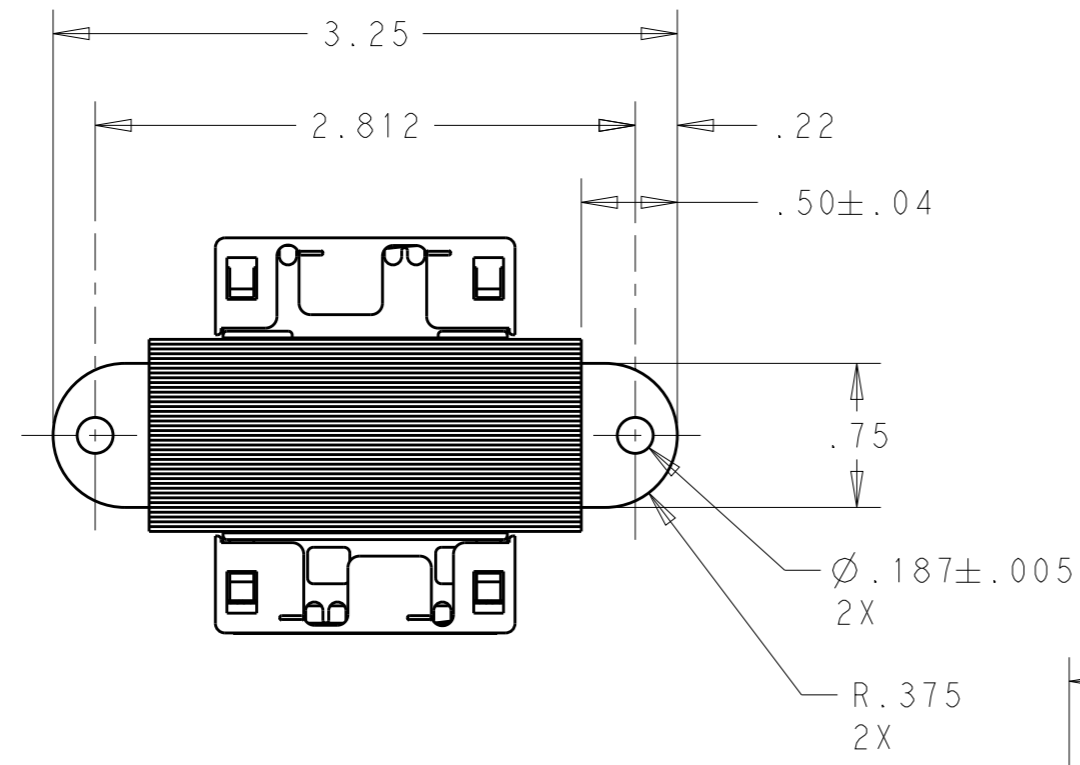


THIS DRAWING IS UNPUBLISHED. RELEASED FOR PUBLICATION 20  
 © COPYRIGHT 20 BY - ALL RIGHTS RESERVED.

REVISIONS				
P	LTR	DESCRIPTION	DATE	APVD
B		ECR-17-017087	06DEC2017	VS DB

CERTIFICATION: UL & CUL FILE NO. E87824						
PRIMARY			SECONDARY			
LEAD NO.	1	2	3	LEAD NO.	6	7
VOLTAGE	COM	208	240	VOLTAGE	24	VAC
COLOR	BLK	RED	ORG	COLOR	BLU	YEL
LENGTH	12.0	12.0	12.0	LENGTH	12.0	12.0
STRIP LENGTH	.50			STRIP LENGTH	.50	

1. ALL LEADS ARE 18AWG UNLESS OTHERWISE SPECIFIED AND HAVE A TOLERANCE OF +1.0/-0. STRIP TOLERANCE OF ±1/32.
2. WINDING PROTECTION: INHERENTLY LIMITING.



THIS DRAWING IS A CONTROLLED DOCUMENT.	
DIMENSIONS: INCHES	TOLERANCES UNLESS OTHERWISE SPECIFIED:
	0 PLC ±-
	1 PLC ±.1
	2 PLC ±.03
	3 PLC ±.015
	4 PLC ±-
	ANGLES ±-
MATERIAL	FINISH
-	-

DWN	VIC SLACK	06DEC2017
CHK	D. BLOESCH	06DEC2017
APVD	D. BLOESCH	06DEC2017
PRODUCT SPEC	-	
APPLICATION SPEC	-	
WEIGHT	-	
CUSTOMER DRAWING		

3-1611450-9  
TE PART NO.

**STE** TE Connectivity

NAME: TRANSFORMER OUTLINE

SIZE	CAGE CODE	DRAWING NO	RESTRICTED TO
A3	-	4000-09M04K999	

SCALE 1:1 SHEET 1 OF 1 REV B