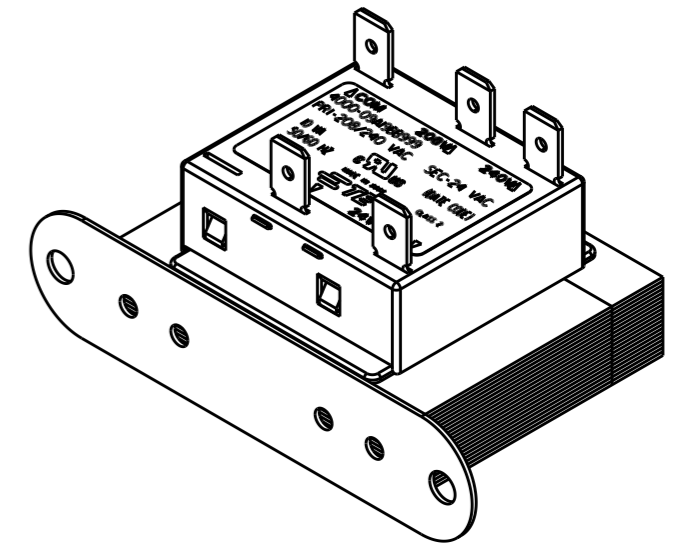
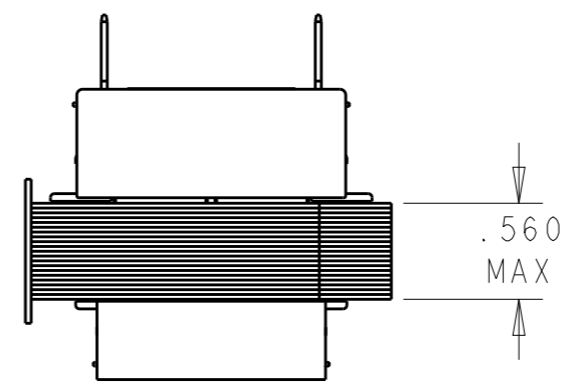
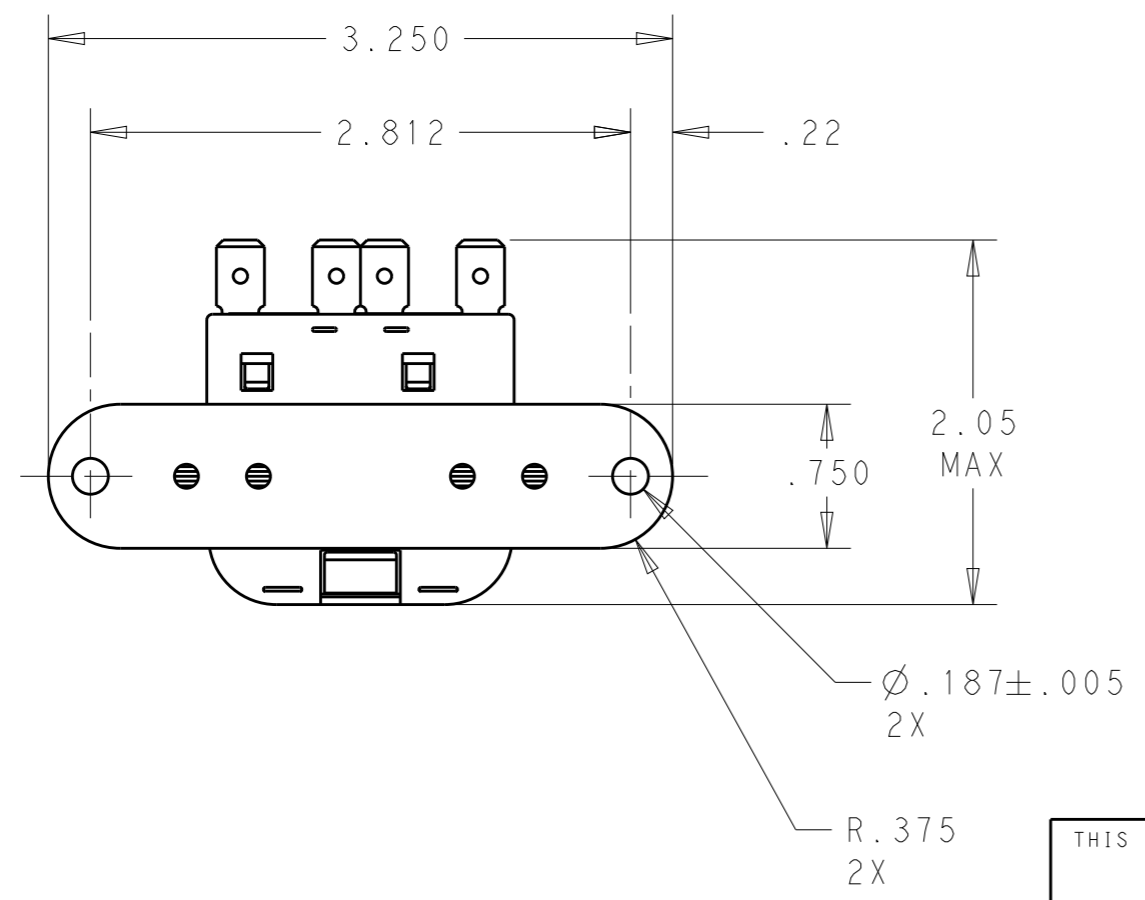
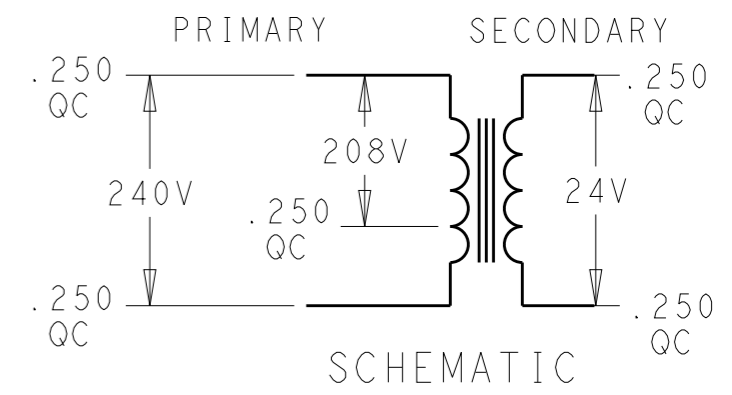
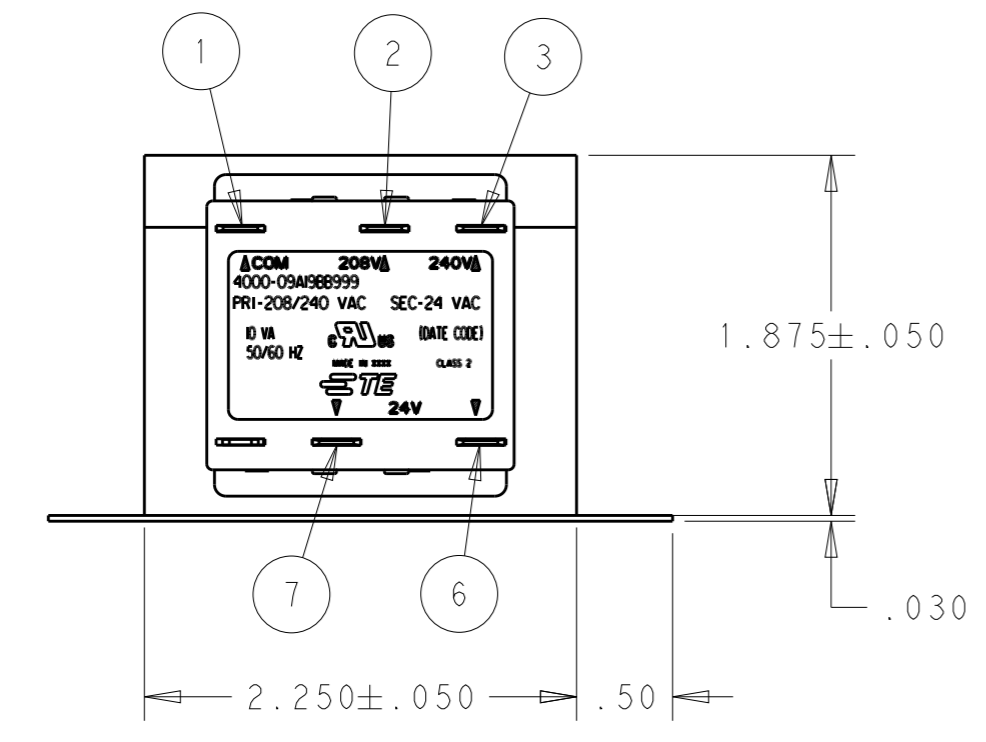


THIS DRAWING IS UNPUBLISHED. RELEASED FOR PUBLICATION 20  
 © COPYRIGHT 20 BY - ALL RIGHTS RESERVED.


REVISIONS				
P	LTR	DESCRIPTION	DATE	APVD
B		ECR-18-011831	13AUG2018	VS DB

CERTIFICATION: UL & cUL FILE NO. E87824						
PRIMARY			SECONDARY			
TERMINAL NO.	1	2	3	TERMINAL NO.	6	7
VOLTAGE	COM	208	240	VOLTAGE	24	VAC
TERM. WIDTH	.250	.250	.250	TERM. WIDTH	.250	.250
TERM. THICKNESS	.032	.032	.032	TERM. THICKNESS	.032	.032

1. WINDING PROTECTION: INHERENTLY LIMITING.



2-1611447-1  
TE PART NO.

THIS DRAWING IS A CONTROLLED DOCUMENT.		DWN VIC SLACK 25JUL2018	 TE Connectivity	
DIMENSIONS: INCHES		CHK D. BLOESCH 25JUL2018		
TOLERANCES UNLESS OTHERWISE SPECIFIED:		APVD D. BLOESCH 25JUL2018	NAME TRANSFORMER OUTLINE	
0 PLC ±- 1 PLC ±.1 2 PLC ±.03 3 PLC ±.015 4 PLC ±- ANGLES ±-		PRODUCT SPEC -	RESTRICTED TO	
MATERIAL -		APPLICATION SPEC -	SIZE A3	CAGE CODE -
FINISH -		WEIGHT -	DRAWING NO C-4000-09A19BB999	
		CUSTOMER DRAWING	SCALE 1:1	SHEET 1 OF 1
			REV B	